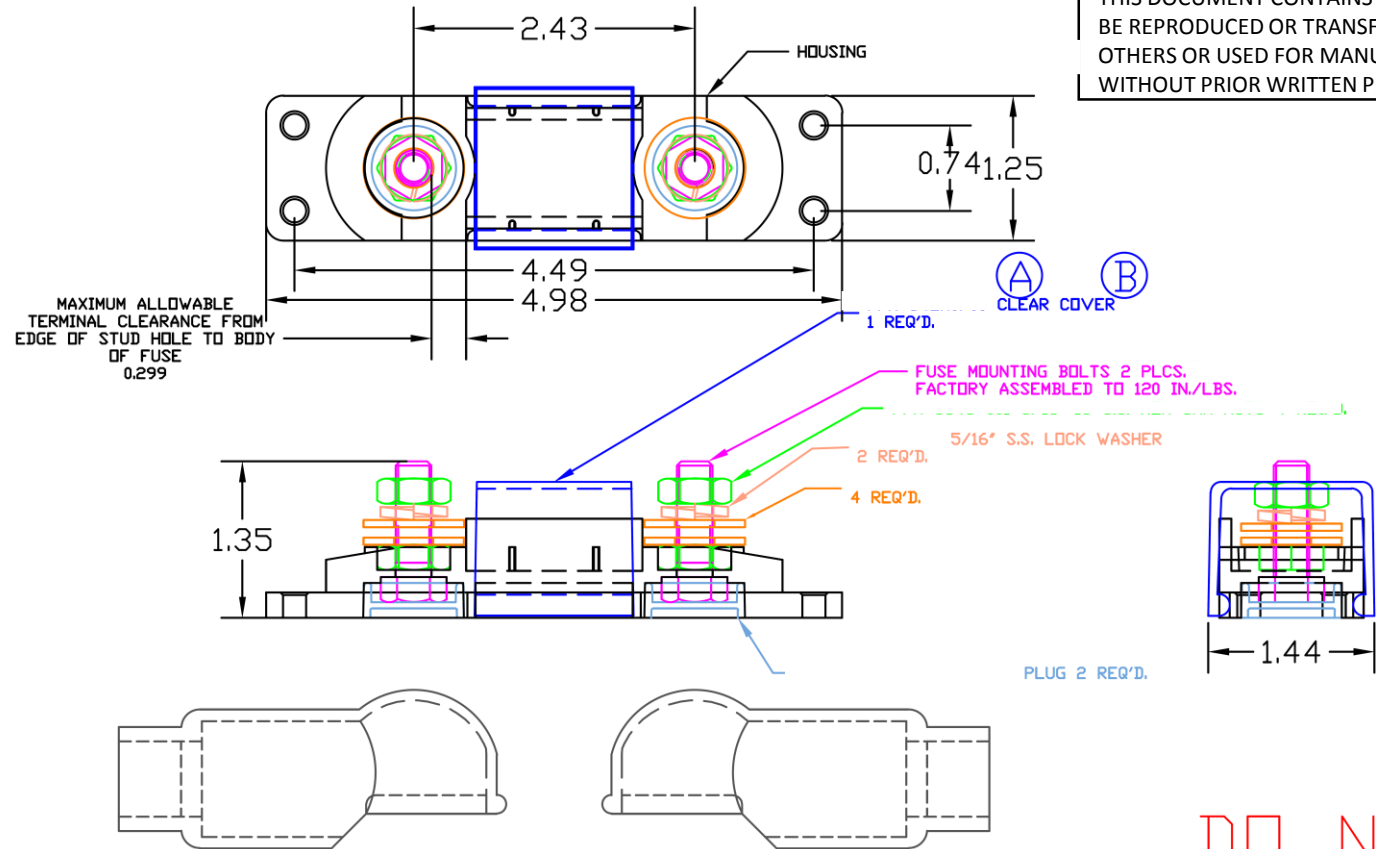



NOTICE OF PROPRIETARY RIGHTS
 THIS DOCUMENT CONTAINS PROPRIETARY INFORMATION. IT MAY NOT BE REPRODUCED OR TRANSFERRED TO DOCUMENTS OR DISCLOSED TO OTHERS OR USED FOR MANUFACTURING OR ANY OTHER PURPOSE WITHOUT PRIOR WRITTEN PERMISSION



FUSE NOT INCLUDED
 ASSEMBLY INCLUDES:
 INSULATORS
 MAXIMUM RECOMMENDED AMPERAGE: 300 AMPS @ 12 VDC

BASE MATERIAL: GLASS-REINFORCED NYLON
 BASE MATERIAL U.L. RATING: 94 HB
 BASE COLOR: RED

DO NOT SCALE

DATE: 5-11-2015	PREPARED BY: <i>Jose Illidge</i>	UNIT OF MEASUREMENT Inch	 MODEL # THANLFB 80-300