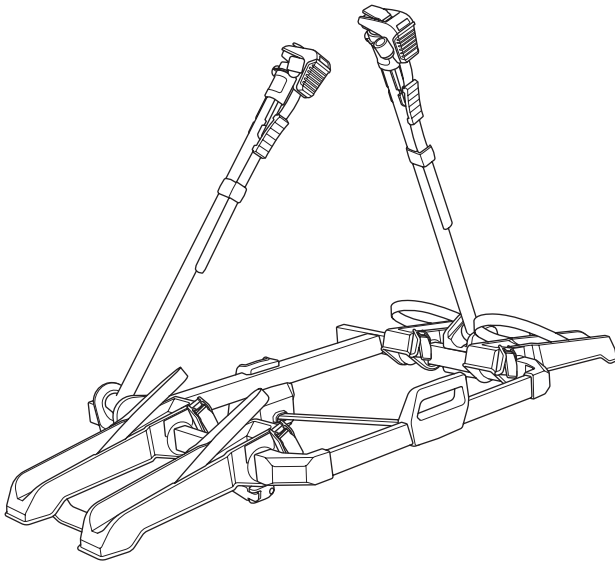




# Instructions

Thule OutPace 2-bike  
90125



Bring your life  
thule.com

- EN** Hitch mounted bike racks
- FR** Porte-vélos sur attelage
- ES** Portabicicletas para enganche
- PT** Suporte para bicicleta de engate americano



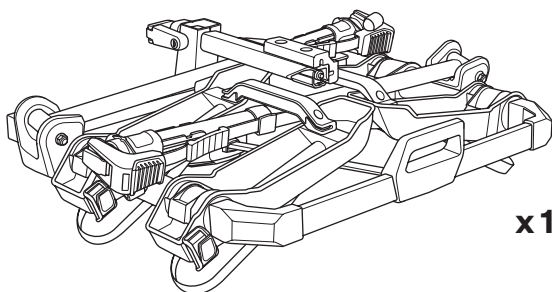
THULE

Instructions



THULE

Safety



x1



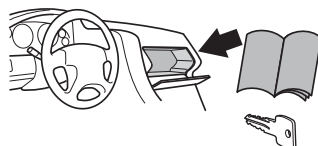
x2

**i**



Your Key-Number

□ □ □ □



**Important** - read the instructions carefully before use and keep for future reference.

### Symbols



**WARNING** indicates a hazardous situation which, if not avoided, could result in death or serious injury.



**CAUTION** indicates a hazardous situation which, if not avoided, could result in minor or moderate injury.



**MANDATORY ACTION** indicates instructions that must be followed to avoid the risk of injury, and damage to the product or other equipment.



**NOTICE** indicates instructions that must be followed to avoid damage to the product or other equipment.



**NOTE** indicates additional information that is useful for trouble-free and optimal use of the product.

**Importante** - leer las instrucciones cuidadosamente antes del usar y consérvelas para futura referencia.

### Símbolos



**ADVERTENCIA** indica una situación de posible peligro que, si no se evita, podría provocar lesiones graves o incluso la muerte.



**ATENCIÓN** indica una situación peligrosa que, si no se evita, podría provocar lesiones leves o moderadas.



**ACCIÓN OBLIGATORIA** indica instrucciones que deben seguirse para evitar el riesgo de lesiones y daños al producto u otro equipo.



**AVISO** indica instrucciones que deben seguirse para evitar daños al producto u otro equipo.



**NOTA** indica información adicional que es útil para un uso óptimo y sin problemas del producto.

**Important** - lisez attentivement les instructions avant utilisation et conservez-les pour référence future.

### Symboles



**AVERTISSEMENT** indique une situation potentiellement dangereuse qui, si elle n'est pas évitée, pourrait provoquer des blessures graves, voire mortelles.



**ATTENTION** indique une situation potentiellement dangereuse susceptible qui, si elle n'est pas évitée, peut entraîner des blessures mineures ou modérées.



**ACTION OBLIGATOIRE** indique des instructions qui doivent être suivies pour éviter tout risque de blessure et de dommage au produit ou à d'autres équipements.



**AVIS** indique des instructions qui doivent être suivies pour éviter d'endommager le produit ou d'autres équipements.



**REMARQUE** indique comment répondre à une situation donnée et vous donnent des conseils sur le fonctionnement des options disponibles.

**Importante** - ler cuidadosamente as instruções antes de usar e guardá-las para futura referência.

### Símbolos



**ATENÇÃO** indica uma situação perigosa que, se não for evitada, pode resultar em morte ou ferimentos graves.



**CUIDADO** indica uma situação perigosa que, se não for evitada, pode resultar em ferimentos ligeiros ou moderados.



**AÇÃO OBRIGATÓRIA** indica instruções que devem ser seguidas para evitar o risco de lesões e danos ao produto ou a outros equipamentos.



**AVISO** indica instruções que devem ser seguidas para evitar danos ao produto ou noutro equipamento.



**NOTA** indica informações adicionais que são úteis para a utilização ideal e sem problemas do produto.



**EN**

**WARNING!** This carrier is not compatible with any RV, travel trailer/caravans, 5th wheels or any bumper mounted hitch receiver"

**ES**

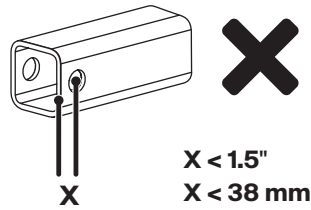
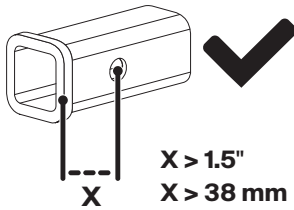

**¡ADVERTENCIA!** Este portabicicletas no es compatible con ningún RV, remolque de viaje/ caravanas, casas rodantes de quinta rueda ni con ningún enganche montado en el parachoques.

**FR**

**AVERTISSEMENT !** Ce porte-vélos n'est pas compatible avec les camping-cars, caravanes de voyage, les caravanes à sellette ou tout récepteurs d'attelage de pare-chocs.

**PT**

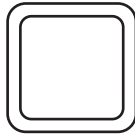
**AVISO!** Este suporte não é compatível com nenhum RV, reboques/caravanas de viagem, reboques de quinta roda ou com qualquer engate montado no para-choque.

Load capacity  
Capacité  
Capacidad de carga  
Capacidade de carga



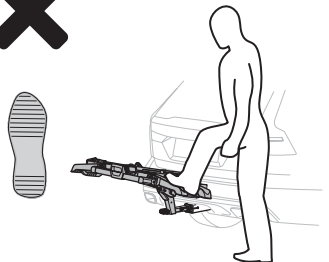
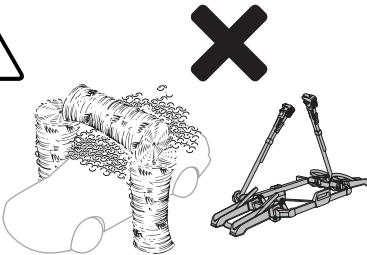
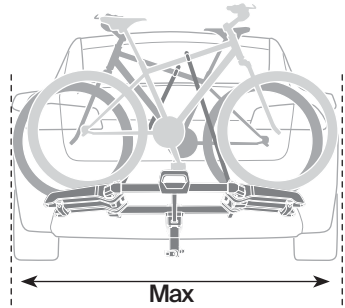
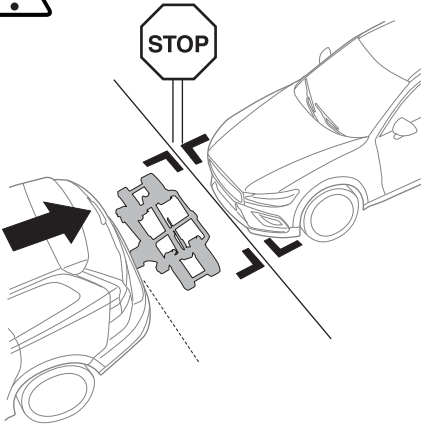
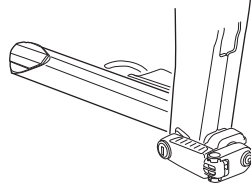
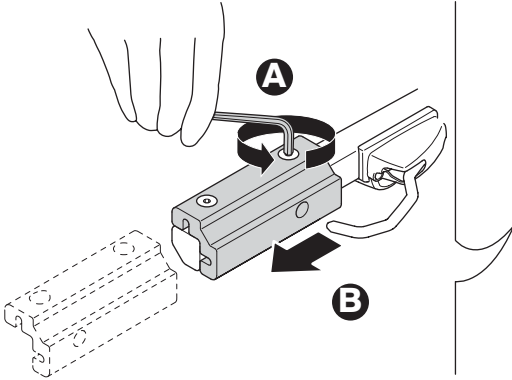
**i**

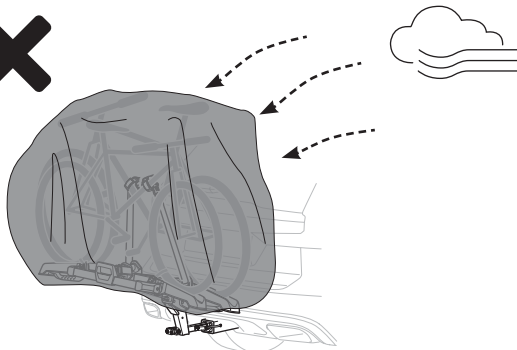
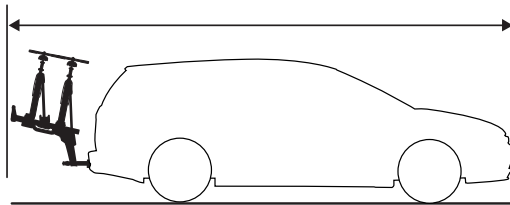
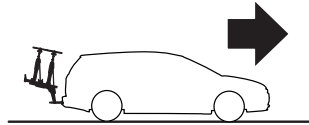
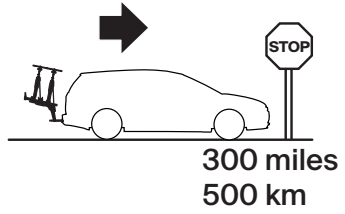
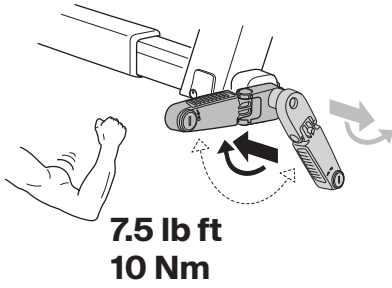


2"  
51 mm

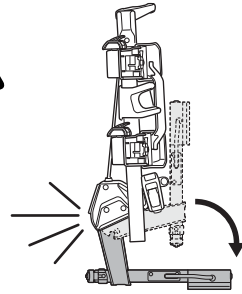
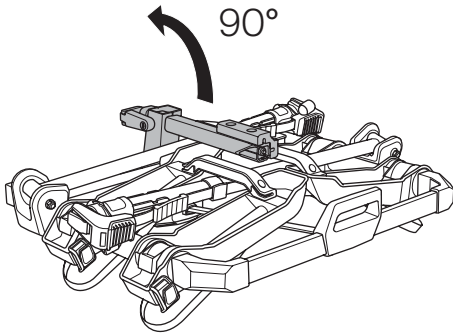
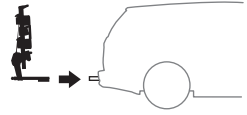


1.25"  
32 mm

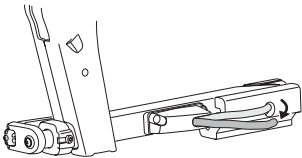




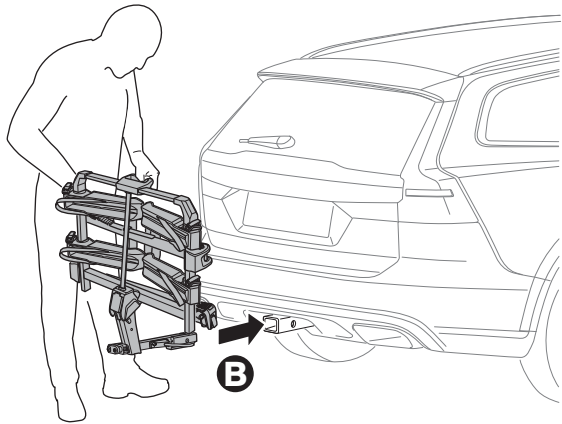
# 1



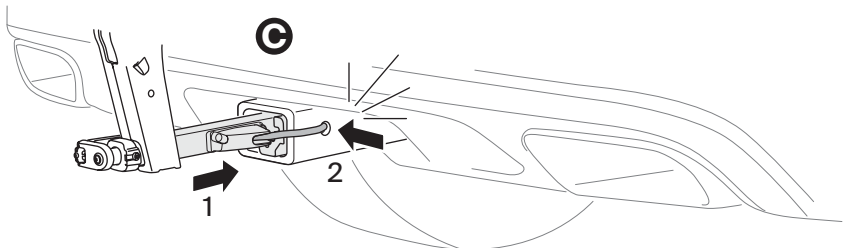
# 2



**A**



**B**

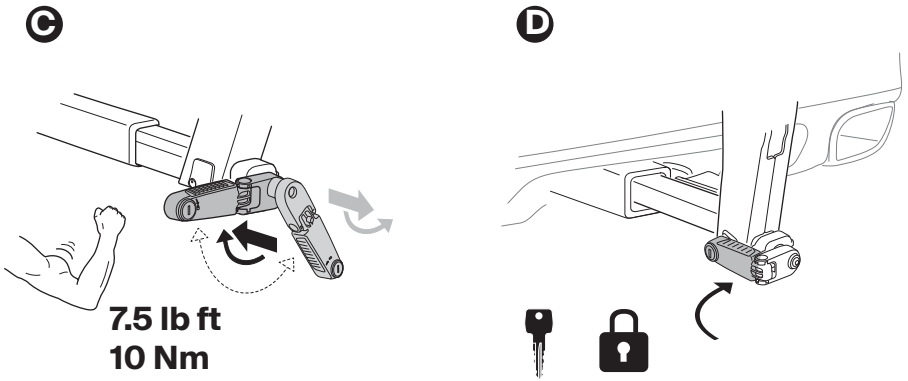
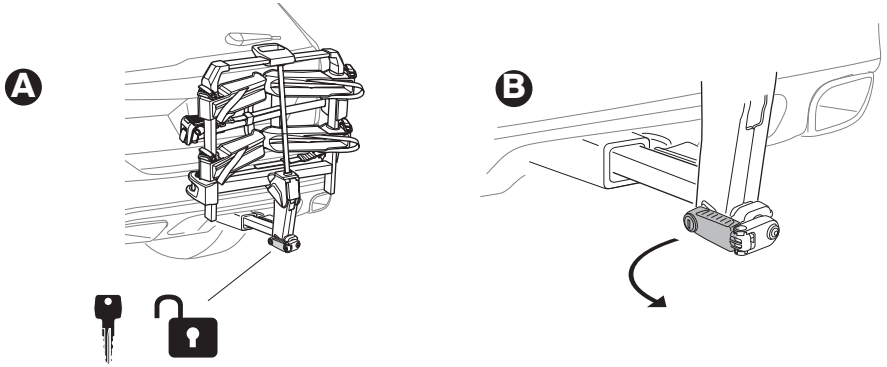


**1**

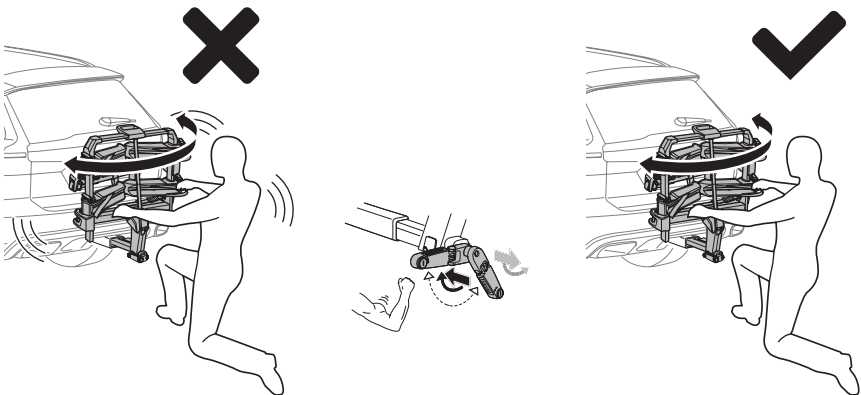
**2**

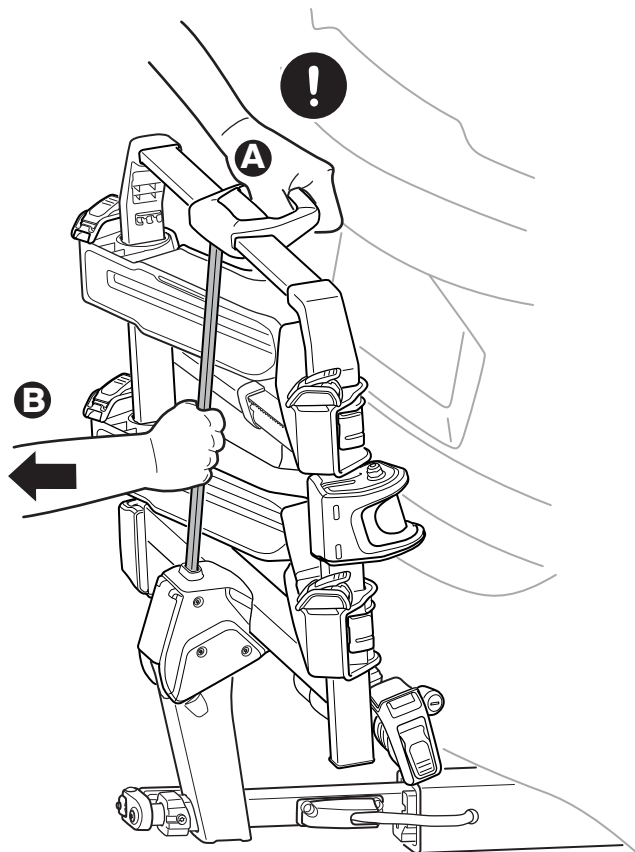
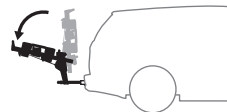
**C**

# 3

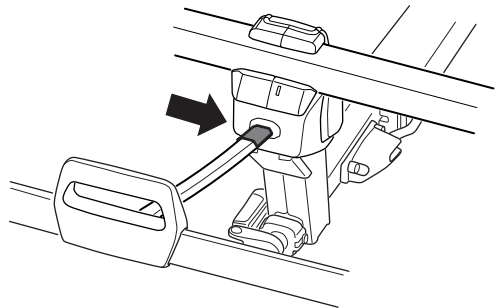
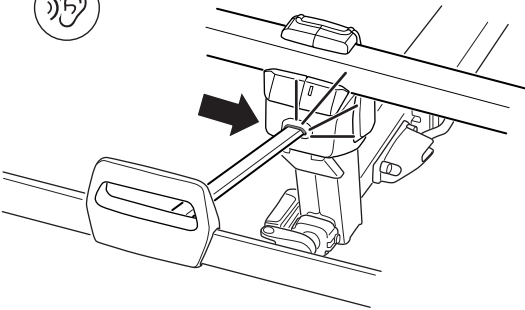
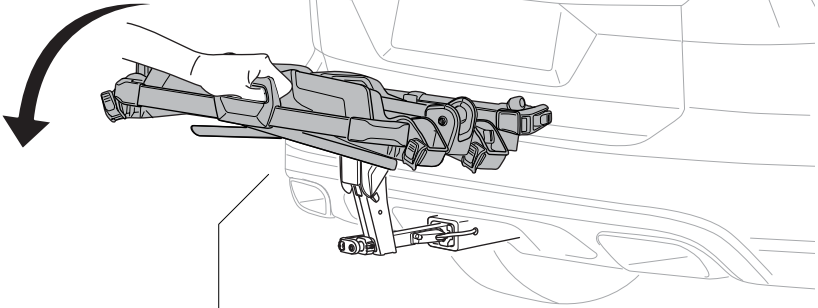
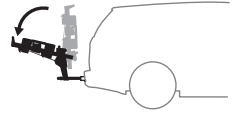


# 4

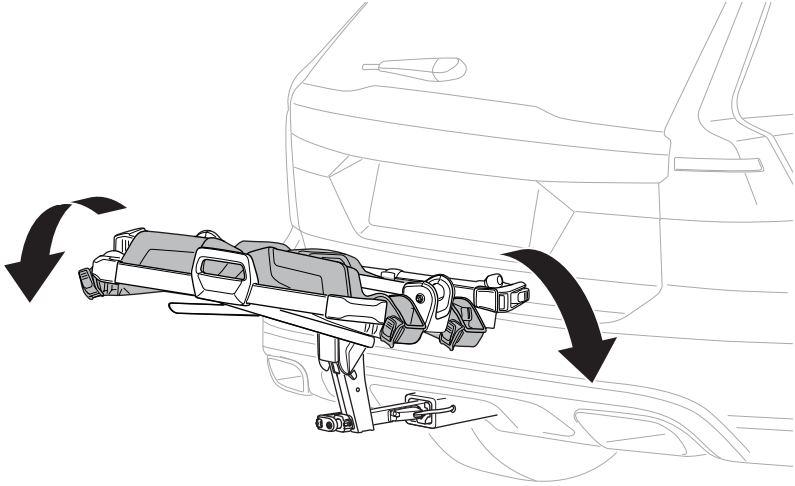




6



7



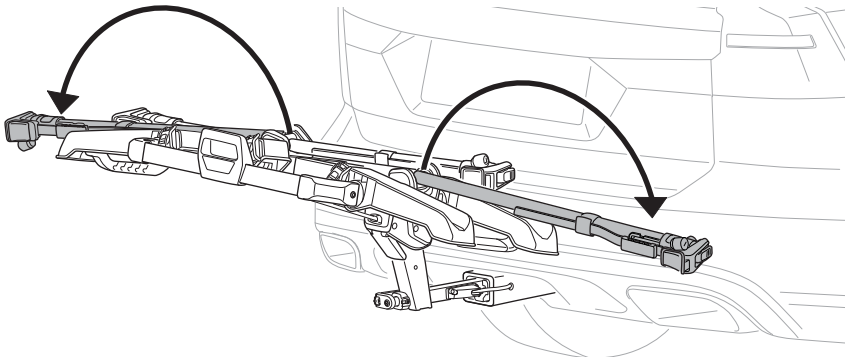
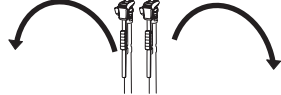
8



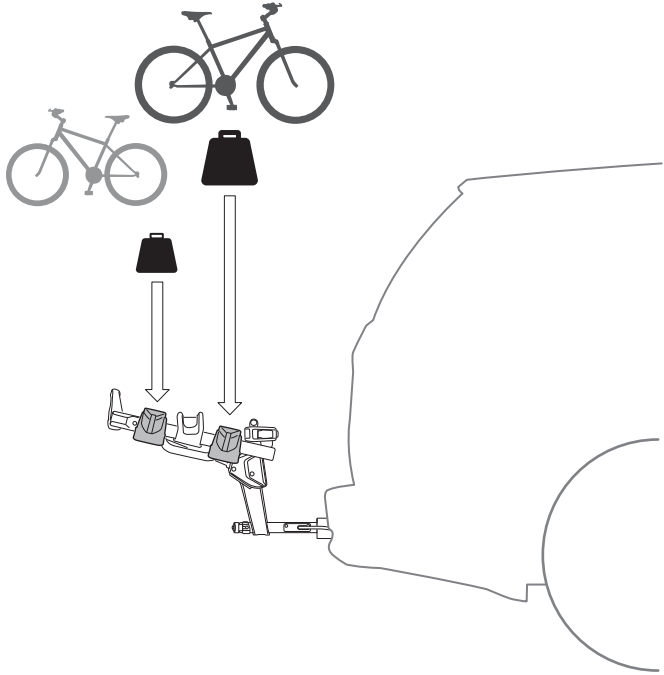
x1



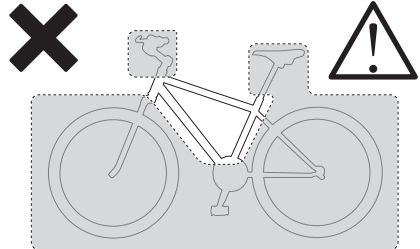
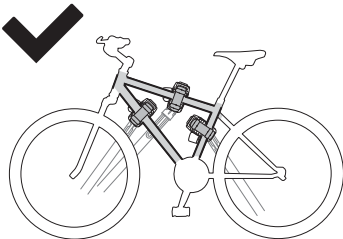
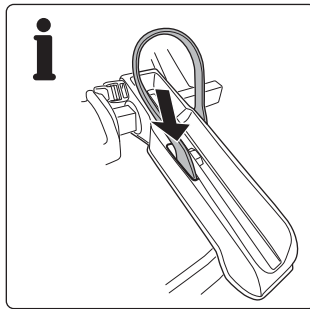
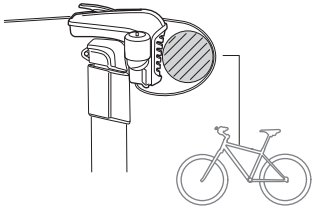
x2



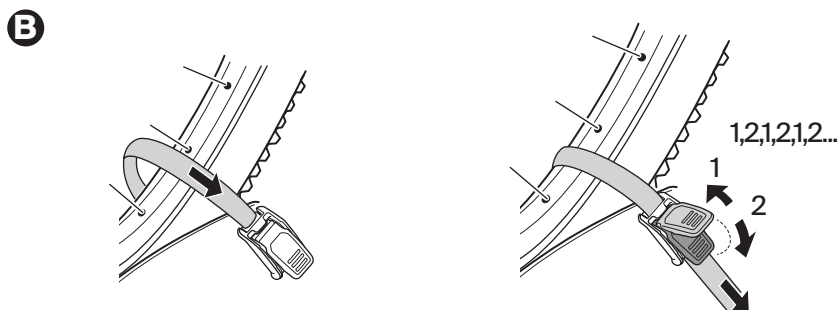
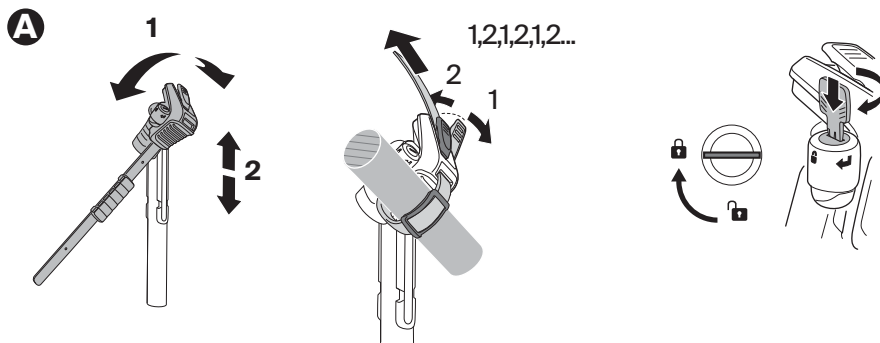
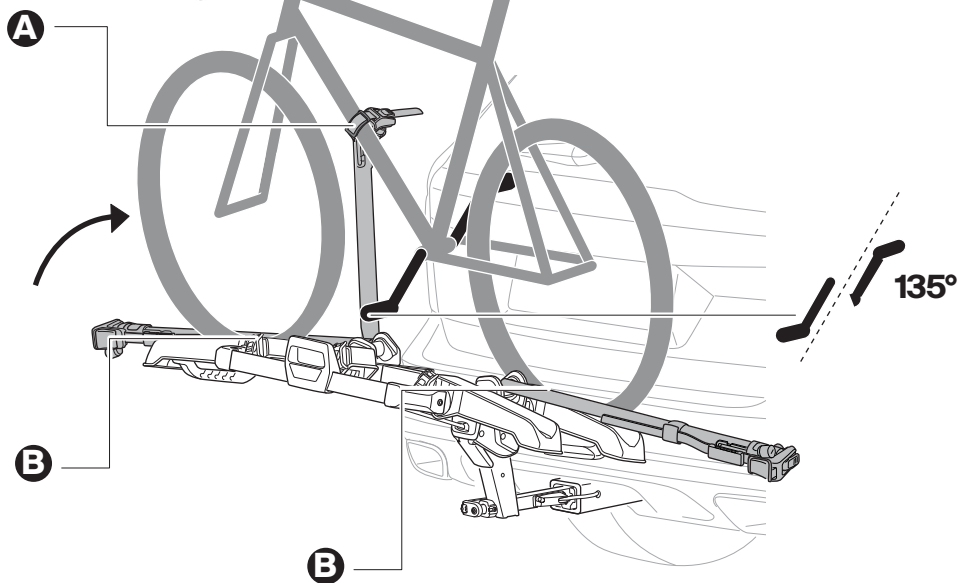
9



20-90mm

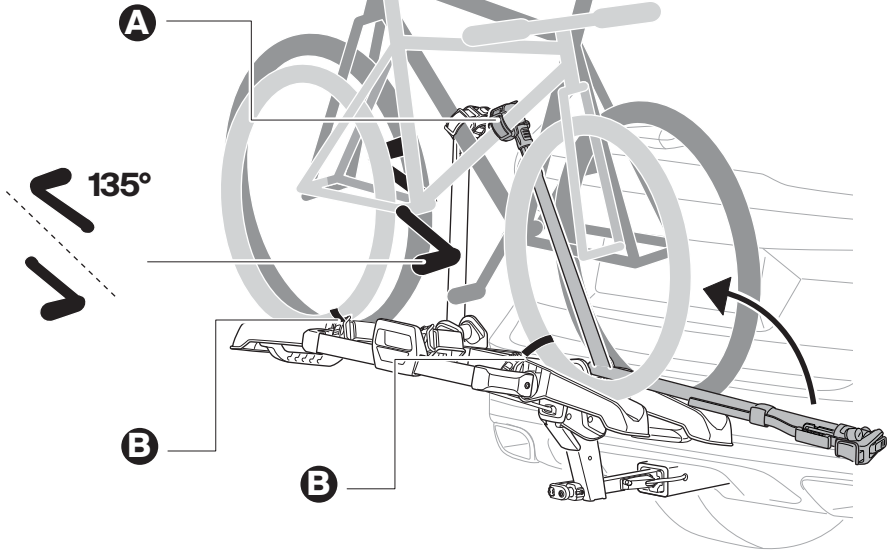


# 10

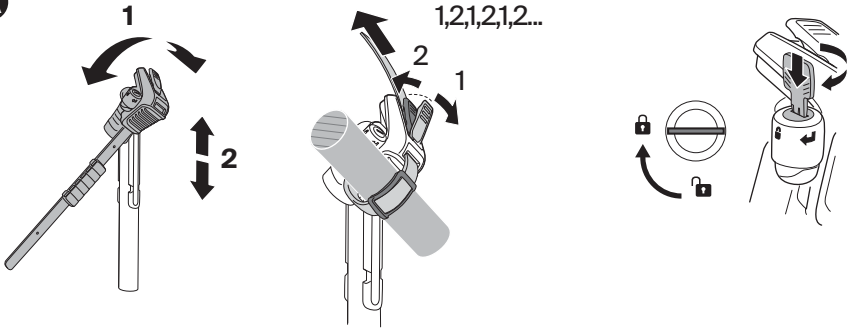


11

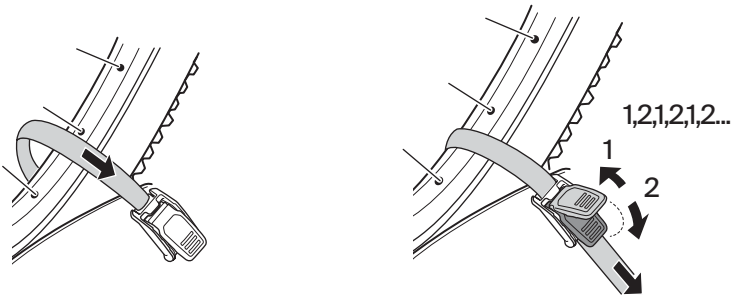
2

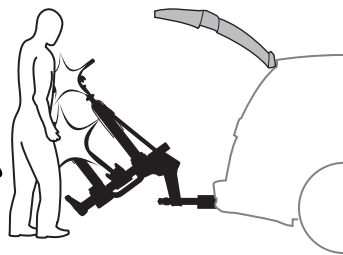
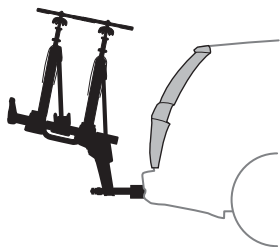


A

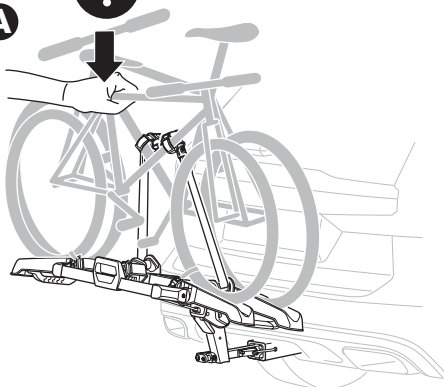


B

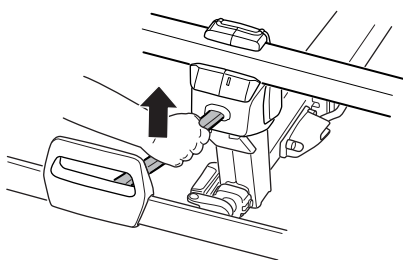




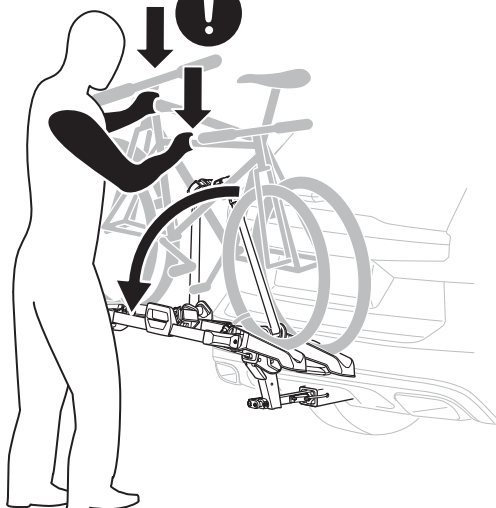
**A**



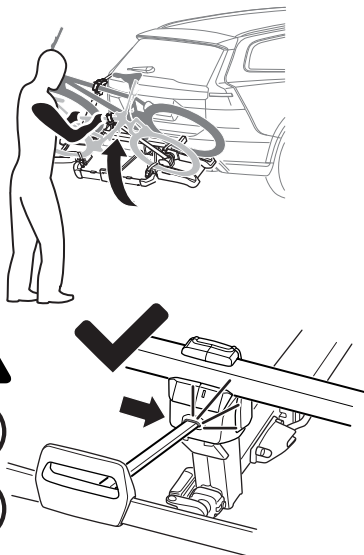
**B**



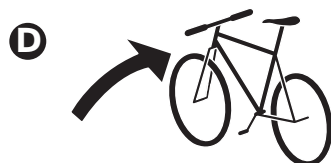
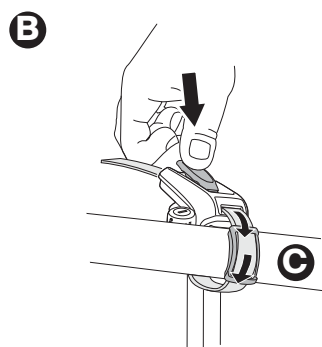
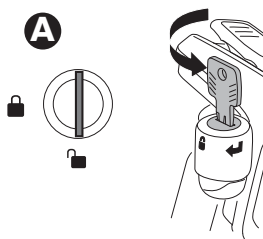
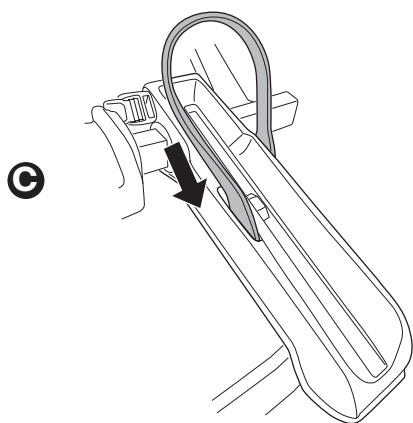
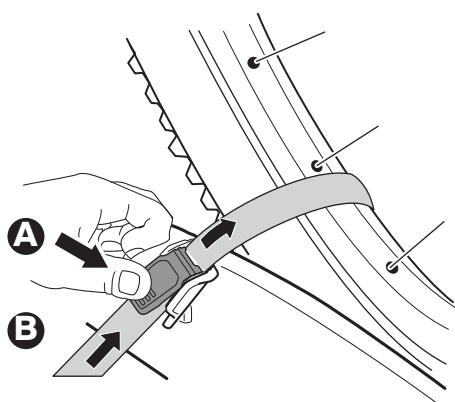
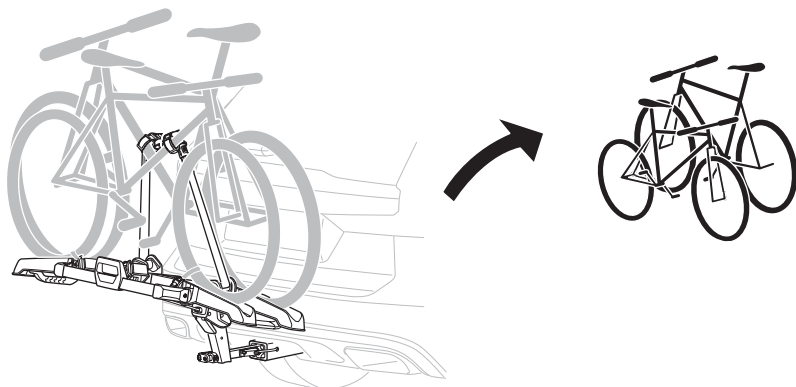
**C**

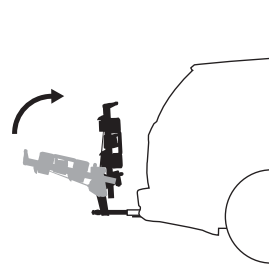
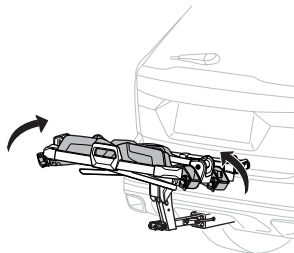
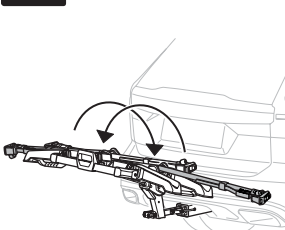
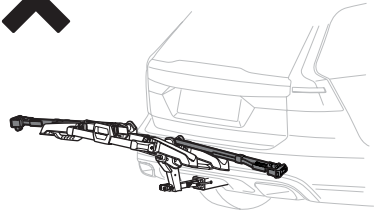
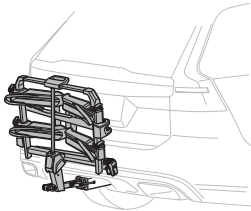
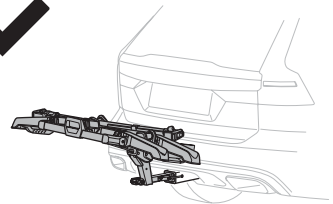
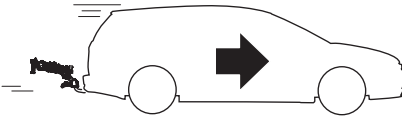
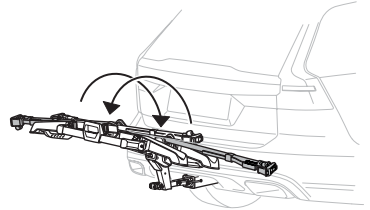
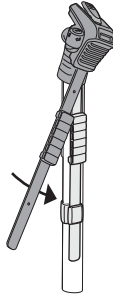
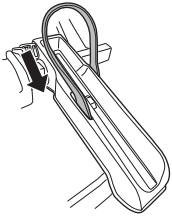


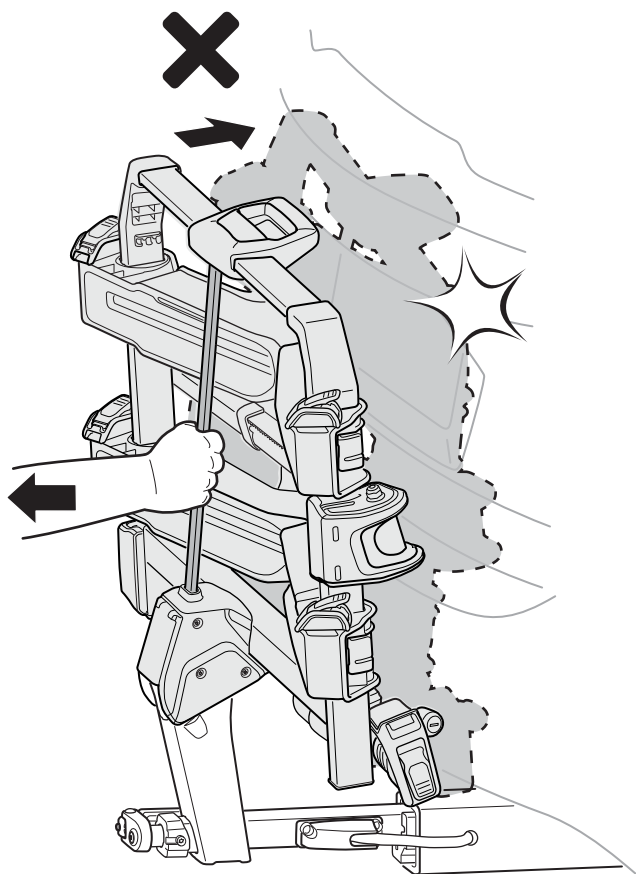
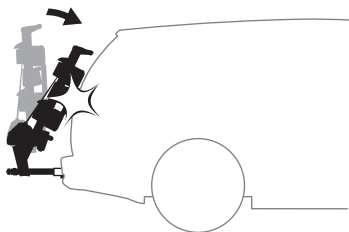
**D**



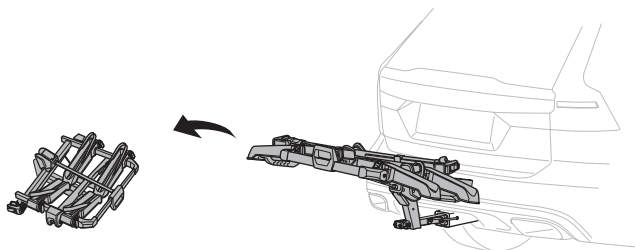
**i**



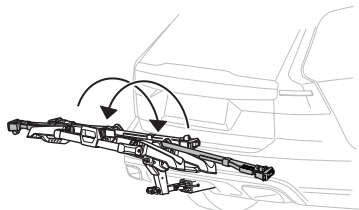




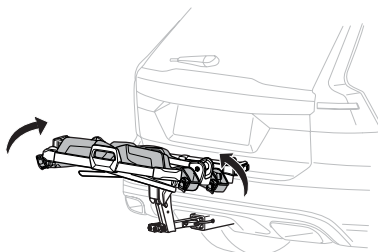
**i**



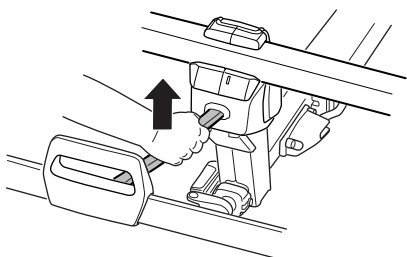
**A**



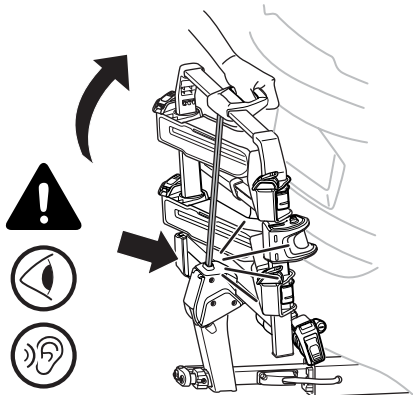
**B**



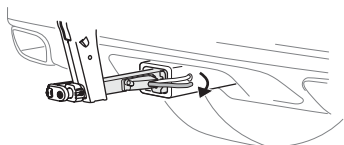
**C**



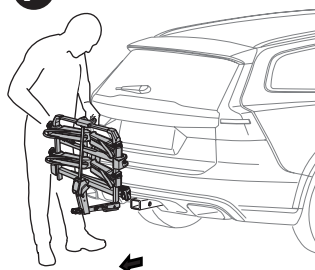
**D**



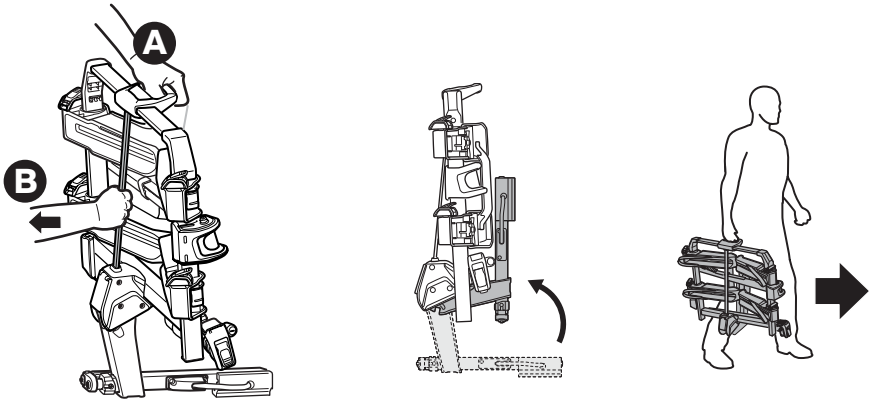
**E**



**F**



**i**



**Thule.com**

- EN** Accessories/Spare parts
- FR** Accessoires/Pièces de rechange
- ES** Accesorios/Repuestos
- PT** Acessórios/Peças de reposição

**Thule Inc.** 42 Silvermine Road, Seymour, CT 06483  
**Thule Canada Inc.** 710 Bernard, Granby QC J2J 0H6  
**North American Consumer Service:**  
Toll Free 800-238-2388, Fax 450-777-3615  
[www.thule.com](http://www.thule.com)

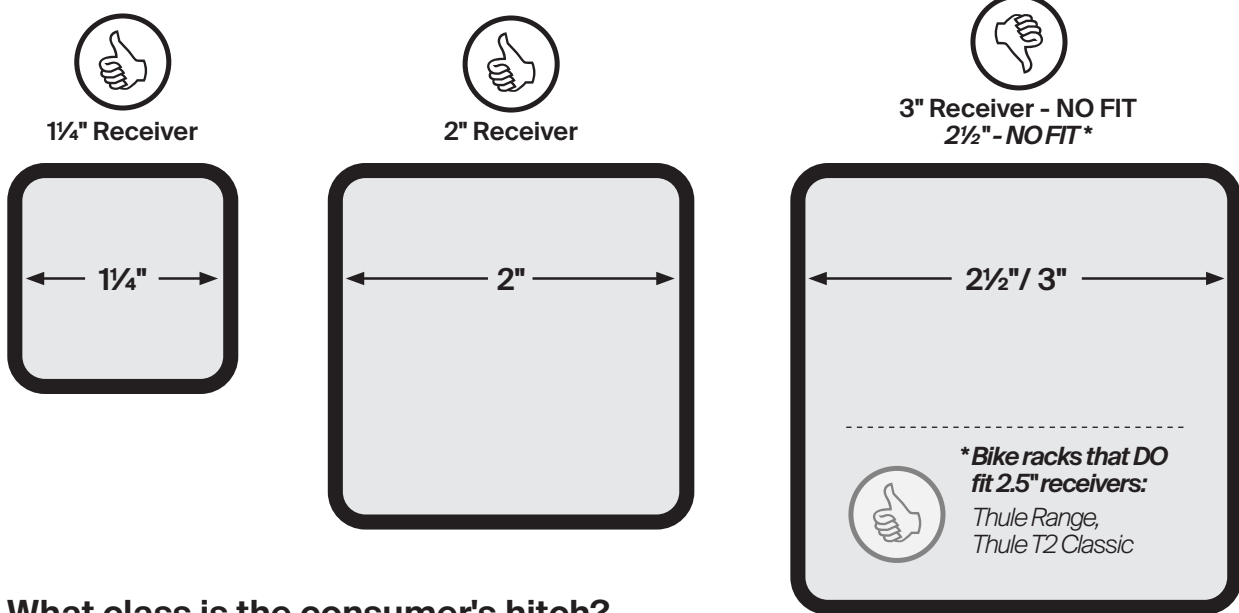
**Register online at:**  
[www.thule.com/register](http://www.thule.com/register)

© Thule Group. All rights reserved.  
5563661001 | 2025-02-18 #00

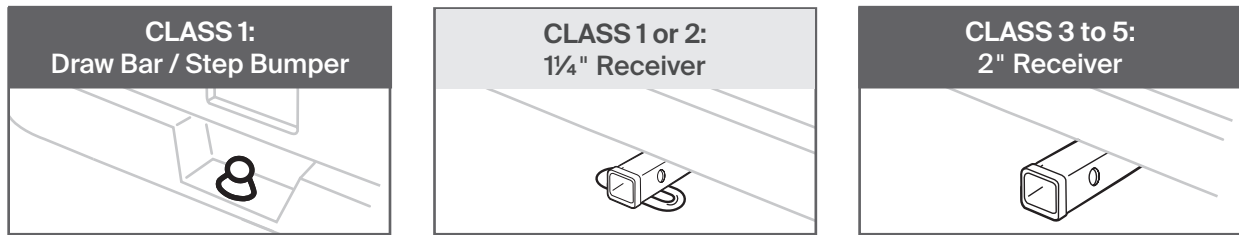
» PART OF THULE GROUP

# Technical information

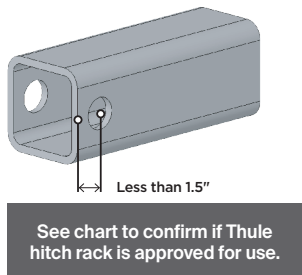
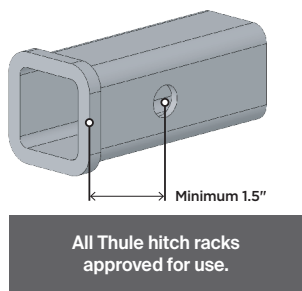
## What size is the consumer's hitch?



## What class is the consumer's hitch?



## Consumer's hitch pin hole depth?



	Hitch Rack	Pin Hole Depth Requirement
<b>HANGING</b>	<b>Apex XT Swing</b>	
	9027XT	1.5"
	<b>Helium Pro</b>	
	9042Pro	1.5"
	9043Pro	1.5"
	<b>Apex XT</b>	
	9024XT	1.5"
	9025XT	1.5"
	9026XT	1.5"
	<b>Camber</b>	
	9056/9058	1.5"
	<b>Range</b>	
	9057	1.5"
	<b>ReVert</b>	
9024500 (4B_2")	1.5"	
9026500 (6B_2")	1.5"	

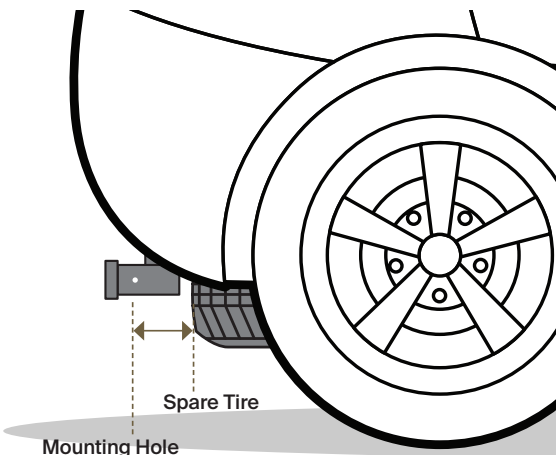
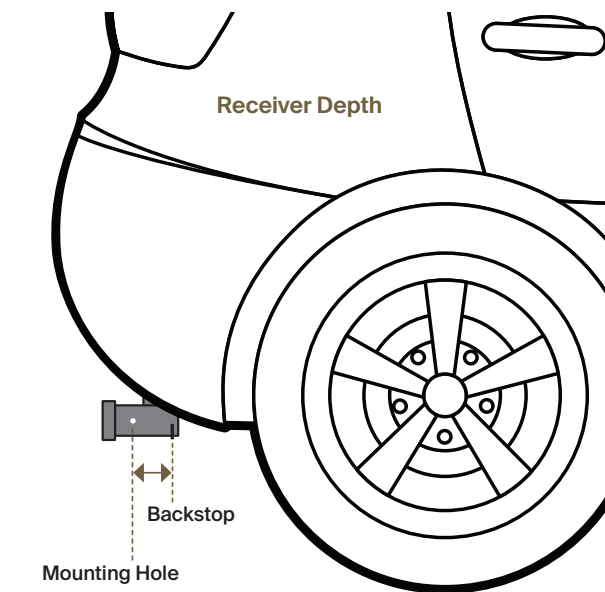
	Hitch Rack	Pin Hole Depth Requirement
<b>PLATFORM</b>	<b>T2 Pro XT/XTR</b>	
	9034XT / 9034XTR	1.125"
	9035XT / 9035XTR	1.5"
	9034XT/XTR + 9036XT	1.5"
	<b>Verse</b>	
	903452	1.5"
	903453	1.5"
	903452 + 903651	1.5"
	<b>Epos</b>	
	903210 / 903211	1.5"
	903310	1.5"
	<b>Helium Platform XT</b>	
	903901/904011	1.5"
	<b>T2 Pro X</b>	
	904450	1.125"
	904550	1.5"
	904450 + 904650	1.5"
	<b>T1</b>	
	9041	1.5"
	<b>Doubletrack Pro XT</b>	
	905402	1.5"
	<b>EasyFold XT</b>	
	903202	1.5"
	<b>OutPace</b>	
9012500	1.5"	
9013500	1.5"	

## Consumer's hitch receiver depth?

To ensure proper fit, it's important to know the depth of your receiver. Determine this by doing the following:

- With a ruler inserted in the receiver, measure from the center of the hitch mounting hole to the point where you make contact with an obstacle. **This is your receiver depth.**
- If you do not contact a back-stop or your hitch receiver does not have a backstop, another potential point of contact could be an undercarriage-mounted spare tire or the undercarriage itself.
- Using the table in the next page, compare your measurement to see which hitch racks will work with your vehicle.

Your receiver depth must be equal to or greater than the product measurement listed in the table for a proper fit.



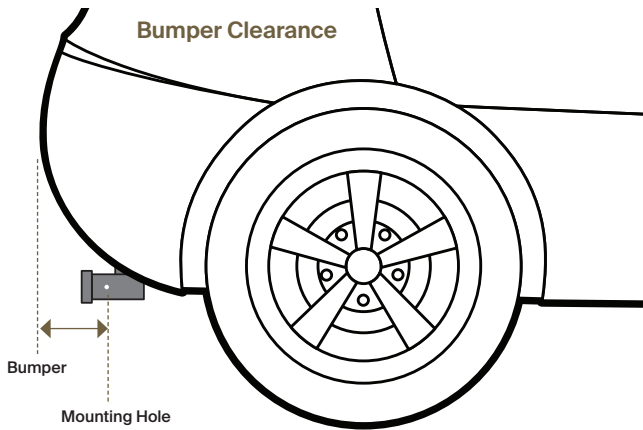
	Hitch Rack	Receiver Depth
PLATFORM	<b>EasyFold XT</b>	
	903202	1.4"
	<b>Helium Platform XT</b>	
	903901	2.3"
	904011	2.3"
	<b>T2 Pro XT/XTR</b>	
	9034XT/9034XTR	2.5"
	9035XT/9035XTR	1.4"
	9034XT/XTR + 9036XT	2.5"
	<b>Verse</b>	
	903452	2.55"
	903453	1.9"
	903452 + 903651	2.55"
	<b>T2 Pro X</b>	
	904450	2.5"
	904550	1.4"
	904450 + 904650	2.5"
	<b>Epos</b>	
903210 / 903211	2"	
903310	2"	
<b>T1</b>		
9041	1.5"	
<b>DoubleTrack Pro XT</b>		
905402	1.5"	
<b>OutPace</b>		
9012500	2"	
9013500	2"	
HANGING	<b>Apex XT Swing</b>	
	9027XT	2.5"
	<b>Helium Pro</b>	
	9042PRO, 9043PRO	1.4"
	<b>Apex XT</b>	
	9024XT	1.4"
	9025XT	1.4"
	9026XT	1.4"
	<b>Camber</b>	
	9058/9056	1.5"
	<b>Range</b>	
	9057	2.4"
<b>ReVert</b>		
9024500 (4B_2")	2.55"	
9026500 (6B_2")	2.55"	

# Technical information

## Consumer's hitch bumper clearance?

Make sure your bumper will not interfere with the Thule hitch rack. Measure the distance from the center of the mounting hole on your hitch to the end of your bumper. *This is your bumper clearance.*

Your bumper clearance must be equal to or less than the product measurement listed in the table for a proper fit.



	Hitch Rack	Stowed Spare Tire Clearance	In-Use Spare Tire Clearance
PLATFORM	<b>EasyFold XT</b>		
	903202	12.0"	12.0"
	<b>T2 Pro XT/XTR</b>		
	9034XT/9034XTR	6.3"	20.5"
	9035XT/9035XTR	6.3"	20.5"
	9034XT/XTR + 9036XT	6.3"	20.5"
	<b>Verse</b>		
	903452	8.0"	18.7"
	903453	8.0"	18.7"
	903452 + 903651	8.0"	18.7"
	<b>Helium Platform XT</b>		
	903901	N/A	11.0"
	904011	N/A	11.0"
	<b>T2 Pro X</b>		
	904450	6.3"	20.5"
	904550	6.3"	20.5"
	904450 + 904650	6.3"	20.5"
	<b>Epos</b>		
	903210 / 903211	N/A	9.5"
	903310	N/A	9.5"
<b>T1</b>			
9041	6.0"	19.3"	
<b>DoubleTrack Pro XT</b>			
9054/905402	6.0"	6.0"	
<b>OutPace</b>			
9012500	4.3"	9.4"	
9013500	4.3"	9.4"	
HANGING	<b>Apex XT Swing</b>		
	9027XT	8.8"	8.8"
	<b>Helium Pro</b>		
	9042Pro/9043Pro	13.3"	13.3"
	<b>Apex XT</b>		
	9024XT	10.3"	10.3"
	9025XT	10.3"	10.3"
	9026XT	10.3"	10.3"
	<b>Camber</b>		
	9058/9056	7.3"	7.3"
	<b>Range</b>		
	9057	6.9"	6.9"
	<b>ReVert</b>		
	9024500 (4B_2")	12.9"	N/A
	9026500 (6B_2")	12.9"	N/A

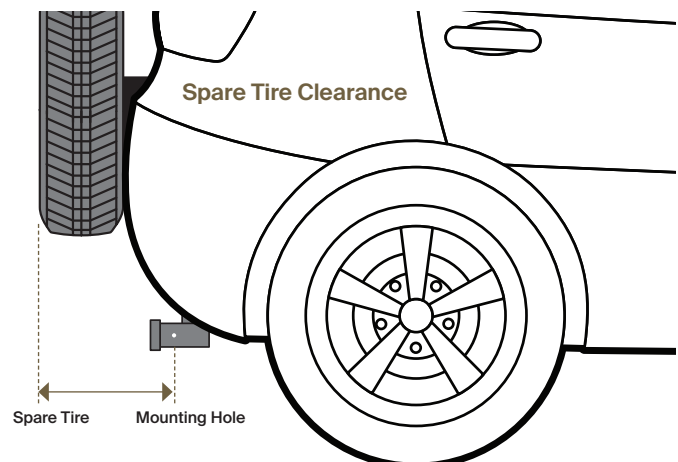
	Hitch Rack	Bumper Clearance
PLATFORM	<b>EasyFold XT</b>	
	903202	9.5"
	<b>T2 Pro XT/XTR</b>	
	9034XT/9034XTR	6.3"
	9035XT/9035XTR	6.3"
	9034XT/XTR + 9036XT	6.3"
	<b>Verse</b>	
	903452	10.5"
	903453	10.5"
	903452 + 903651	10.5"
	<b>Helium Platform XT</b>	
	903901	3"
	904011	3"
	<b>T2 Pro X</b>	
	904450	6.3"
	904550	6.3"
	904450 + 904650	6.3"
	<b>Epos</b>	
	903210 / 903211	6.3"
	903310	6.3"
<b>T1</b>		
9041	6.5"	
<b>DoubleTrack Pro XT</b>		
9054/905402	6.0"	
<b>OutPace</b>		
9012500	6.5"	
9013500	6.5"	
HANGING	<b>Apex XT Swing</b>	
	9027XT	7.3"
	<b>Helium Pro</b>	
	9042Pro/9043Pro	10.8"
	<b>Apex XT</b>	
	9024XT	7.0"
	9025XT	7.0"
	9026XT	7.0"
	<b>Camber</b>	
	9058/9056	5.3"
	<b>Range</b>	
	9057	5.4"
	<b>ReVert</b>	
	9024500 (4B_2")	12.9"
	9026500 (6B_2")	12.9"

## Consumer's spare tire clearance?

If you have a spare tire on the back of your vehicle it may interfere with the installation of your Thule hitch rack. Measure the distance from the center of the mounting hole on your hitch receiver to the end of your spare tire.

*This is your spare tire clearance.*

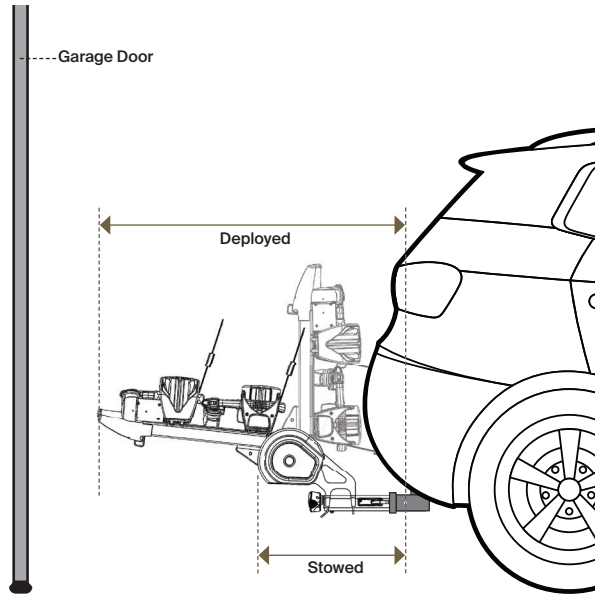
Your spare tire clearance must be equal to or less than the product measurement listed in the table for a proper fit.



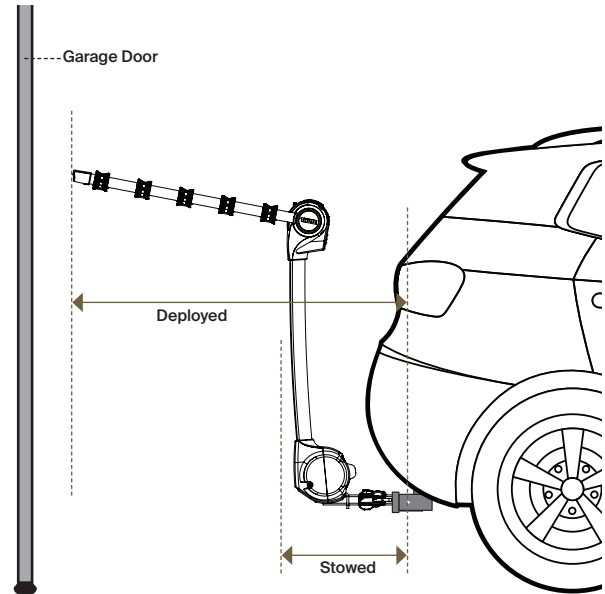
## Consumer's garage clearance?

If you will be parking your vehicle in a garage with the rack mounted, you can use these measurements to help you determine if there will be any interference issues with fitting your vehicle into your garage space with the rack in the stowed position or deployed position.

**Garage Clearance – Platform Models**



**Garage Clearance – Swing & Tilt Models**



PLATFORM	Hitch Rack	Stowed Clearance	Deployed Clearance
	<b>T2 Pro XT/XTR</b>		
	9034XT/9034XTR	20.5"	41.5"
	9035XT/9035XTR	20.5"	41.5"
	9034XT/XTR + 9036XT	20.5"	60.1"
	<b>Verse</b>		
	903452	21.6"	42.7"
	903453	21.6"	42.7"
	903452 + 903651	21.6"	65.2"
	<b>T1</b>		
	9041	14.3"	28.5"
	<b>T2 Pro X</b>		
	904450	20.5"	41.5"
	904550	20.5"	41.5"
	904450 + 904650	20.5"	60.1"
	<b>Epos</b>		
	903210 / 903211	N/A	33.7"
	903310	N/A	43.5"
	<b>DoubleTrack Pro XT</b>		
	9054/905402	14.5"	33"
<b>Helium Platform XT</b>			
903901	13.5"	20.8"	
904011	13.5"	30.7"	
<b>EasyFold XT</b>			
903202	32"	32"	
<b>OutPace</b>			
9012500	13.2"	30.3"	
9013500	13.2"	39"	

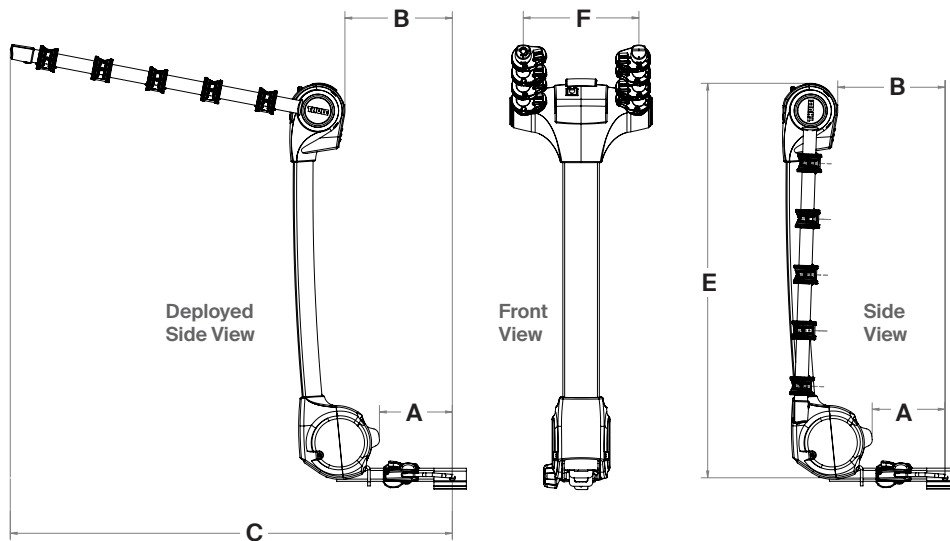
HANGING	Hitch Rack	Stowed Clearance	Deployed Clearance
	<b>Helium Pro</b>		
	9042PRO	20.7"	32.0"
	9043PRO	21.9"	39.0"
	<b>Apex XT</b>		
	9024XT	14.7"	28.2"
	9025XT	14.7"	38.1"
	9026XT	14.7"	42.1"
	<b>Camber</b>		
	9058	14.8"	28.3"
	9056	14.8"	42.2"
	<b>Range</b>		
	9057	14.4"	42.0"
	<b>Apex XT Swing</b>		
	9027XT	15.2"	42.2"
	<b>ReVert</b>		
	9024500 (4B_2")	27.5"	N/A
	9026500 (6B_2")	27.5"	N/A

# Technical information

## Hitch dimensions

Though we design our hitch-mounted bike carriers to be as universal as possible, all vehicles are designed differently. These diagrams have been designed to help you better understand the “room” our hitch-mounted bike racks need to function properly.

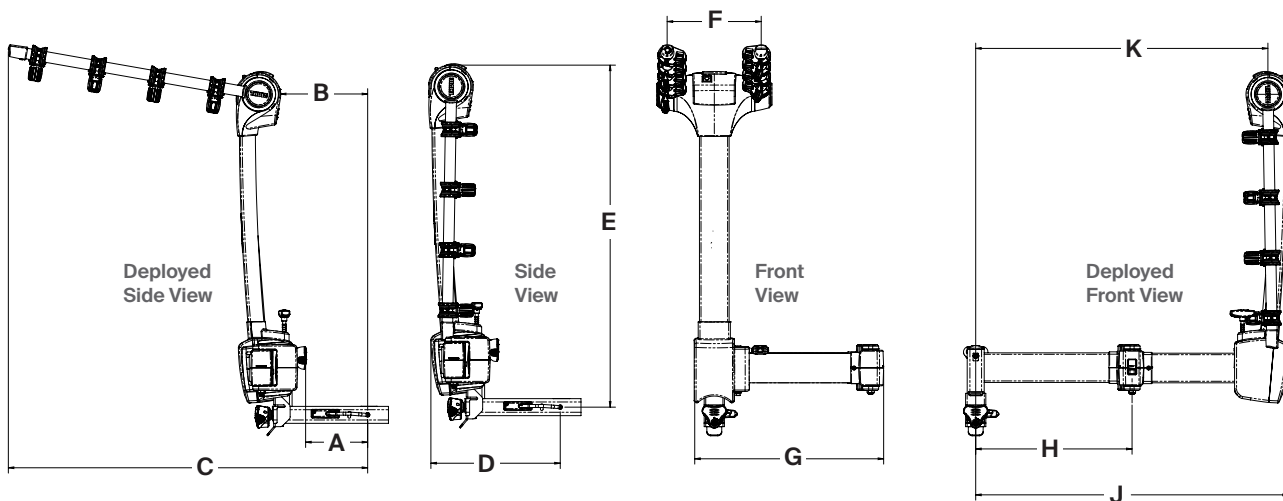
### Tilt hitch racks



MODEL	A	B	C	D	E	F
9042PRO	10.8"	13.2"	32"	20.7"	37.3"	11"
9043PRO	10.8"	13.2"	39"	21.9"	37.3"	11"
9024XT	7"	9.3"	28.2"	15.4"	37"	11"
9025XT	7"	9.3"	42.1"	15.4"	37"	11"
9026XT	7"	9.3"	42.1"	15.4"	37"	11"

MODEL	A	B	C	D	E	F
9058	5.3"	6.7"	28.3"	14.8"	35.6"	11"
9056	5.3"	6.7"	42.2"	14.8"	35.6"	11"
9057	8.5"	6.3"	42.1"	14.8"	35.6"	11"

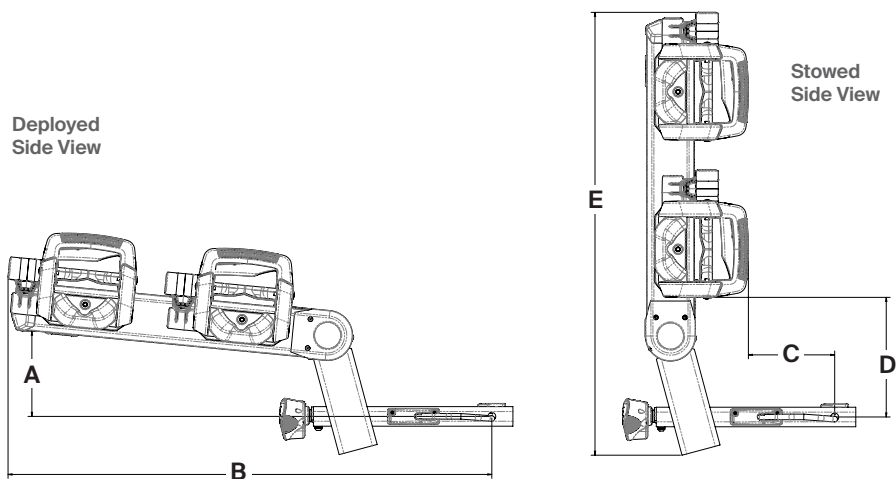
### Swing away hitch racks



MODEL	A	B	C	D	E	F	G	H	J	K
9027XT	7.3"	10.3"	42.2"	15.2"	40.2"	11.1"	22.2"	18.4"	36.7"	34.3"

# Technical information

## Platform hitch racks

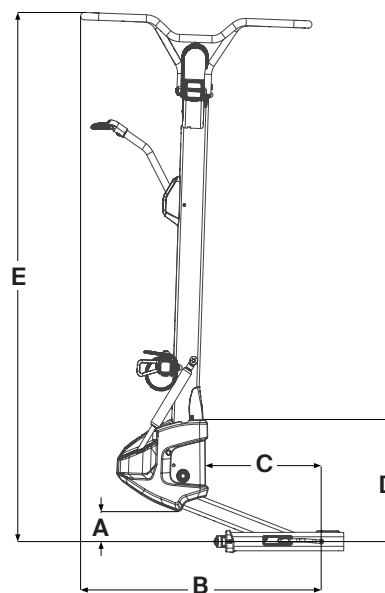


MODEL	A	B	C	D	E
903901	4.4"	21"	5.6"	8"	18.5"
904011	5"	31"	5.6"	8"	28"
903202	6"	32"	9.5"	N/A	32"
903452	3.35"	42.7"	8"	11.6"	34.5"
903453	3.35"	42.7"	8"	11.6"	34.5"
903452 + 903651	7.3"	65.1"	8"	11.6"	56.4"
903210	3.5"	33.7"	6.3"	N/A	N/A
903211	3.5"	33.7"	6.3"	N/A	N/A
903310	4.3"	43.5"	6.3"	N/A	N/A
9041	4.5"	28.5"	3.5"	15.3"	26.5"
9044	6.4"	35.3"	4.5"	8.9"	29.25"
9045	7.9"	34.3"	3.5"	10.4"	28"

MODEL	A	B	C	D	E
9034XTR	7.6"	41.5"	6.25"	7.9"	33.8"
9035XTR	7.9"	41.5"	6.25"	7.9"	33.8"
9034XTR + 9036XTB	9.6"	60.1"	6.26"	7.9"	52.5"
904450	7.6"	41.5"	6.25"	7.9"	33.8"
904550	7.9"	41.5"	6.25"	7.9"	33.8"
904450 + 904650	9.6"	60.1"	6.26"	7.9"	52.5"
9044 + 9046	7.9"	55"	4.5"	8.9"	49"
9054	5"	33.9"	5.8"	14.25"	30.6"
9012500	12.2"	30.3"	4.3"	3.7"	29.2"
9013500	14.1"	39"	4.3"	3.7"	38.2"

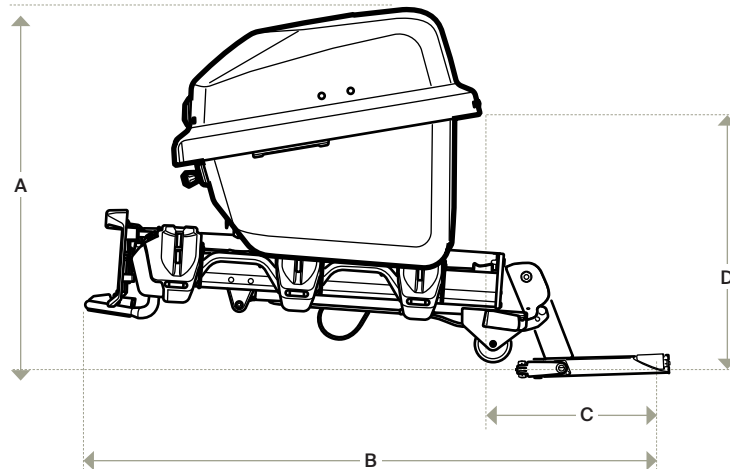
## Vertical hanging hitch racks

MODEL	A	B	C	D	E
9024500 (4B_2")	3.2"	27.5"	12.9"	13.1"	56.6"
9026500 (6B_2")	3.2"	27.5"	12.9"	13.1"	56.6"



## Thule Santu with hitch bike rack measurements

To determine the clearance around Thule Santu (with Thule Epos or Thule EasyFold XT) and your vehicle, refer to the chart below.

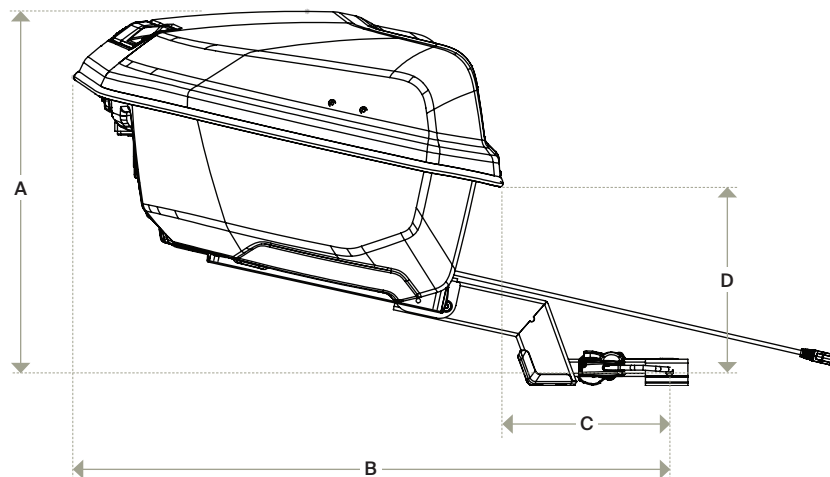


MODEL	A	B	C	D
909401 + 903210 (Epos 2 bike)	28.7" / 72.9 cm	33.7" / 85.5 cm	N/A*	N/A*
909401 + 903211 (Epos 2 bike)	28.7" / 72.9 cm	33.7" / 85.5 cm	N/A*	N/A*
909401 + 903310 (Epos 3 bike)	29.6" / 75.2 cm	43.5" / 110.5 cm	N/A*	N/A*
909401 + 903202 (EasyFold XT)	30.5" / 77.5 cm	32" / 81.2 cm	N/A*	N/A*

\* carrier tilts down for trunk/hatch clearance

## Thule Arcos hitch measurements

To determine the clearance around Thule Arcos and your vehicle, refer to the chart below.



MODEL	A	B	C	D
906201 + 906301	26.1" / 66.3 cm	43.2" / 109.6 cm	12.2" / 31.2 cm	14.2" / 36 cm