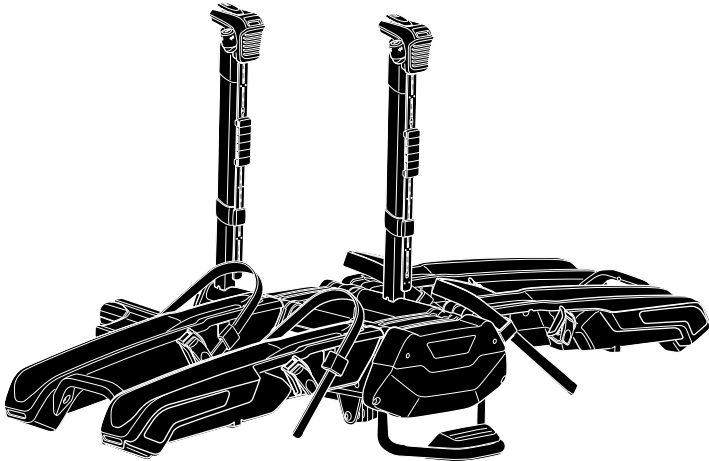
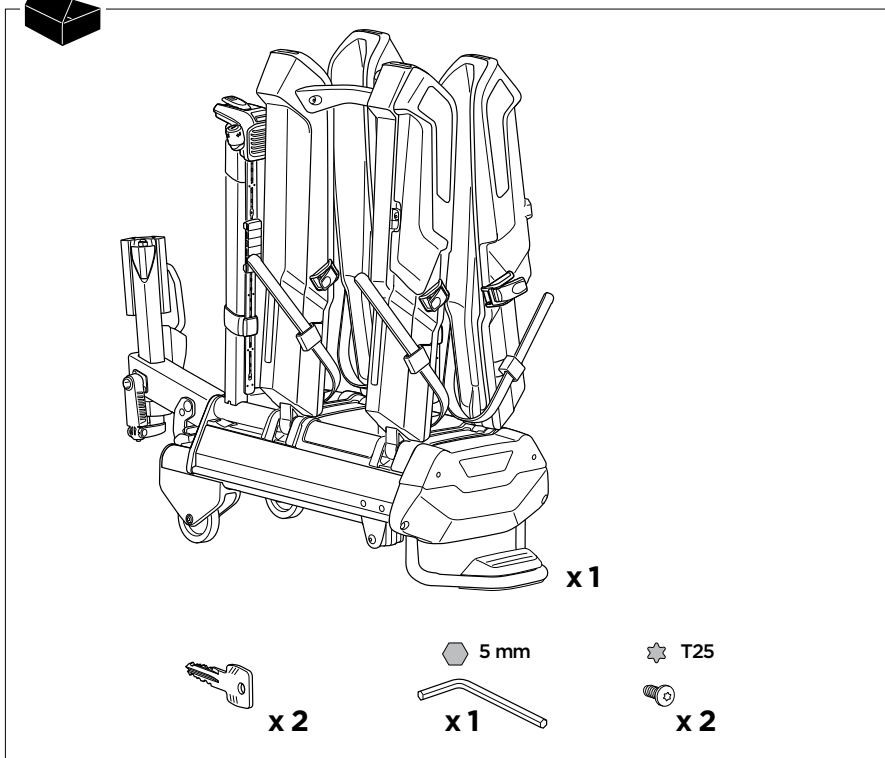
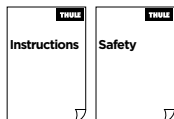


> Instructions

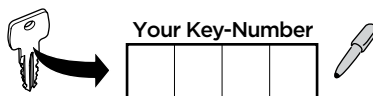
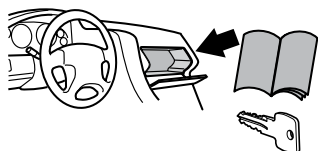
Thule Epos 2-bike
903210



EN HITCH MOUNTED BIKE RACKS
FR PORTE-VÉLOS SUR ATTELAGE
ES PORTABICICLETAS PARA ENGANCHE
PT SUPORTE PARA BICICLETA DE ENGATE AMERICANO



i



IMPORTANT - READ THE INSTRUCTIONS CAREFULLY BEFORE USE AND KEEP FOR FUTURE REFERENCE.

Symbols



WARNING indicates a hazardous situation which, if not avoided, could result in death or serious injury.



CAUTION indicates a hazardous situation which, if not avoided, could result in minor or moderate injury.



Note indicates additional information that is useful for trouble-free and optimal use of the product.

IMPORTANTE - LEER LAS INSTRUCCIONES CUIDADOSAMENTE ANTES DEL USAR Y CONSÉRVELAS PARA FUTURA REFERENCIA.

Símbolos



ADVERTENCIA indica una situación de posible peligro que, si no se evita, podría provocar lesiones graves o incluso la muerte.



ATENCIÓN indica una situación peligrosa que, si no se evita, podría provocar lesiones leves o moderadas.



NOTA indica información adicional que es útil para un uso óptimo y sin problemas del producto.

IMPORTANT - LISEZ ATTENTIVEMENT LES INSTRUCTIONS AVANT UTILISATION ET CONSERVEZ-LES POUR RÉFÉRENCE FUTURE.

Symboles



AVERTISSEMENT indique une situation potentiellement dangereuse qui, si elle n'est pas évitée, pourrait provoquer des blessures graves, voire mortelles.



ATTENTION indique une situation potentiellement dangereuse susceptible qui, si elle n'est pas évitée, peut entraîner des blessures mineures ou modérées.



REMARQUE indique comment répondre à une situation donnée et vous donnent des conseils sur le fonctionnement des options disponibles.

WICHTIG - LESEN SIE DIESE ANLEITUNG SORGFÄLTIG DURCH UND BEWAHREN SIE SIE ZUM SPÄTEREN NACHSCHLAGEN AUF.

Symbole



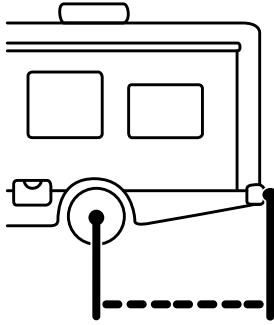
WARNUNG: eine mögliche Gefahrensituation, die, wenn sie nicht vermieden wird, zum Tod oder zu ernsthaften Verletzungen führen kann.



VORSICHT weist auf eine gefährliche Situation hin, die zu geringfügigen oder mäßigen Verletzungen führen kann, wenn sie nicht vermieden wird.



HINWEIS: eine zusätzliche Information, die für eine problemlose und optimale Verwendung des Produkts nützlich ist.



7.5 Ft / 230 cm

EN

Motorized RV* travel at 60% load capacity (i.e., 40% total load reduction) when mounted on van conversions or motorized RV vehicles with an overhang exceeding 230 cm (7.5 ft), measured from the center of the rear wheel to the most distant rear point of the vehicle.

WARNING! This carrier is not compatible with travel trailers/caravans, 5th wheels or any bumper mounted hitch receiver.

** Refer to definition 49 CFR 571.3 (c) "Motor home", National Highway Traffic Safety Administration, Department of Transportation.*

FR

Les voyages en VR motorisés* se font à 60% de la capacité de charge (c'est-à-dire, une réduction de 40% de la charge totale) lorsqu'ils sont montés sur des conversions de fourgon ou des véhicules VR motorisés avec un surplomb dépassant 230 cm (7,5 pieds), mesuré depuis le centre de la roue arrière jusqu'au point arrière le plus éloigné du véhicule.

AVERTISSEMENT ! Ce porte-vélos n'est pas compatible avec les caravanes de voyage, les caravanes à perle ou tout récepteurs d'attelage de pare-chocs.

**Veuillez vous référer à la définition 49 CFR 571.3 (c) "Motor home", National Highway Traffic Safety Administration, Department of Transportation.*

ES

Los viajes en vehículos recreativos motorizados* se realizan al 60% de la capacidad de carga (es decir, una reducción del 40% de la carga total) cuando se montan en conversiones de furgonetas o vehículos recreativos motorizados con un voladizo que excede los 230 cm (7,5 pies), medido desde el centro de la rueda trasera hasta el punto trasero más distante del vehículo.

ADVERTENCIA! Este portabicicletas no es compatible con remolques de viaje/caravanas, casas rodantes de quinta rueda ni con ningún enganche montado en el parachoques.

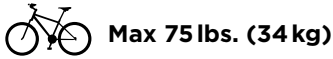
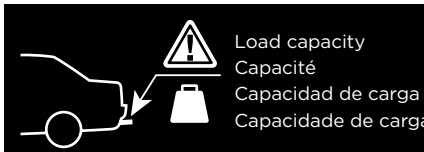
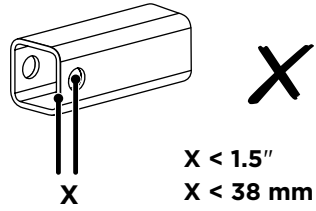
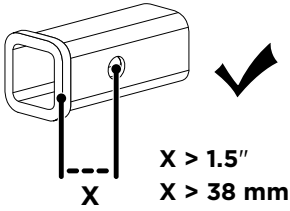
**Consulte la definición 49 CFR 571.3 (c) "Motor home", National Highway Traffic Safety Administration, Departamento de Transporte.*

PT

Viagens em veículos recreativos motorizados* devem ser realizadas com 60% da capacidade de carga (ou seja, uma redução de 40% da carga total) quando montados em conversões de vans ou veículos recreativos motorizados com um balanço que exceda 230 cm (7,5 pés), medido a partir do centro da roda traseira até o ponto traseiro mais distante do veículo.

ATENÇÃO! Este suporte não é compatível com reboques/caravanas de viagem, reboques de quinta roda ou com qualquer engate montado no para-choque.

**Consulte a definição 49 CFR 571.3 (c) "Motor home", National Highway Traffic Safety Administration, Departamento de Transporte.*



Max 75 lbs. (34 kg)



38.1 lbs. (17.3 kg)



Max 140 lbs. (64 kg)



**16" min and
29" max**

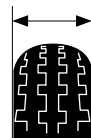


**Max 53"
wheelbase**

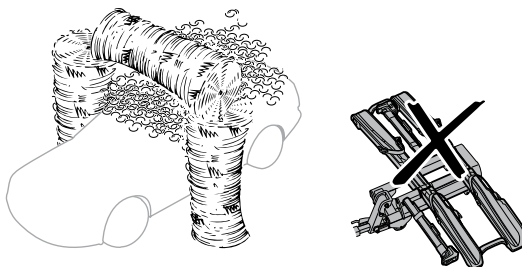
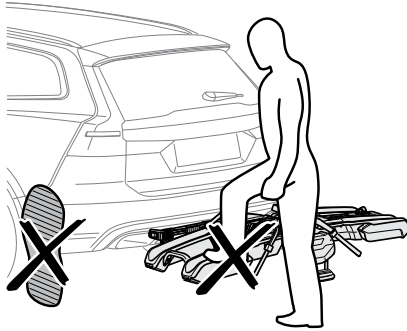
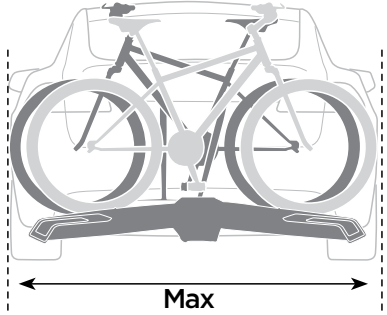
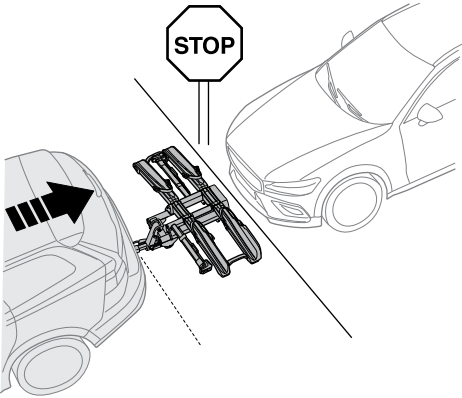


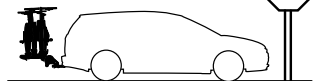
3" max

**Thule Extra Long
Wheel Straps
9851**

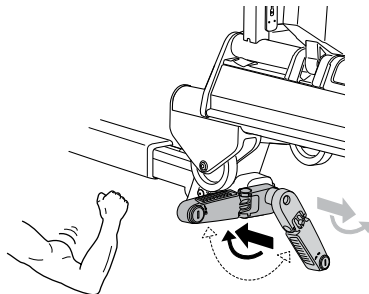


= 5" max

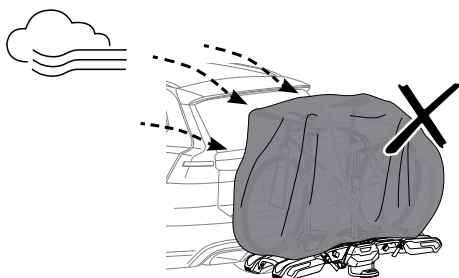
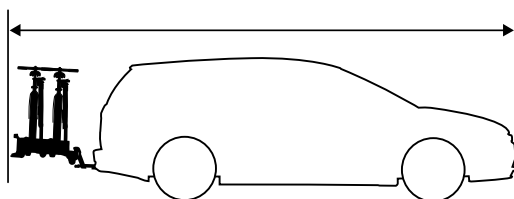
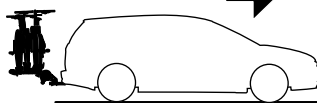


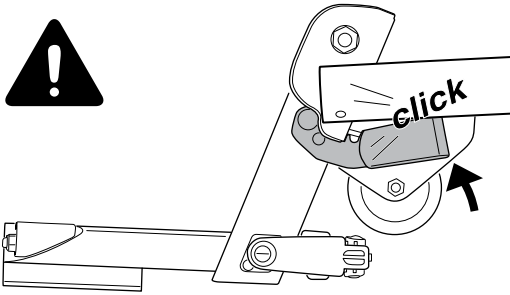
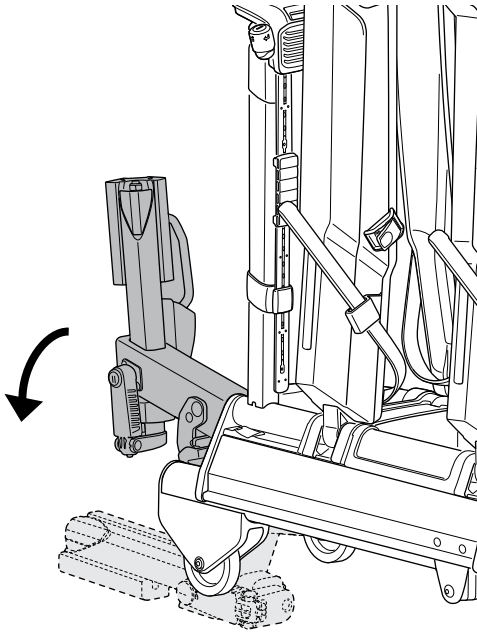


300 miles
500 km

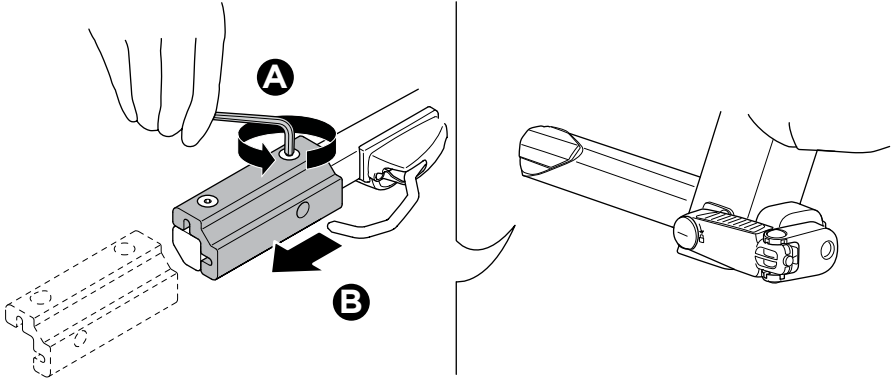
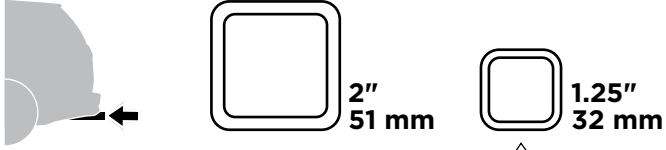


7.5 lb ft
10 Nm

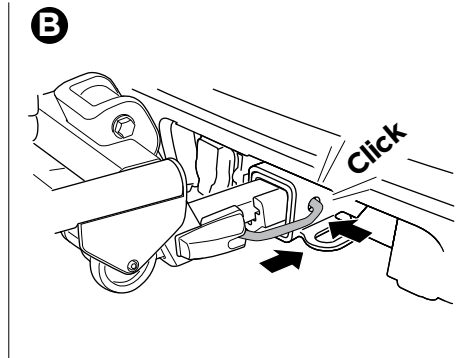
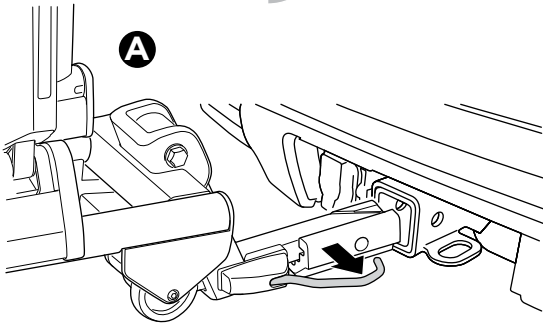
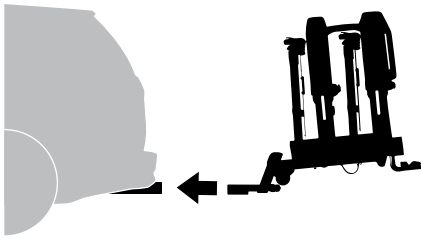




i

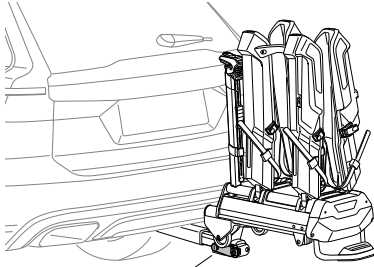


2

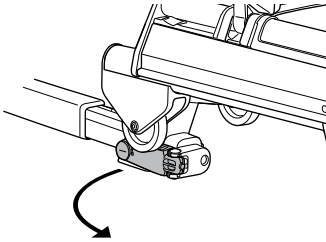


3

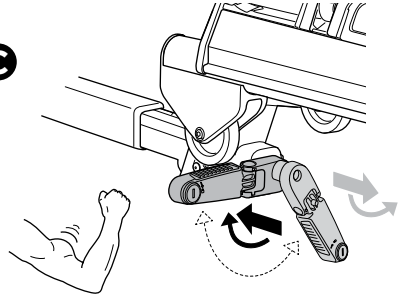
A



B

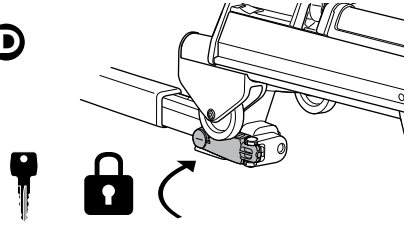


C

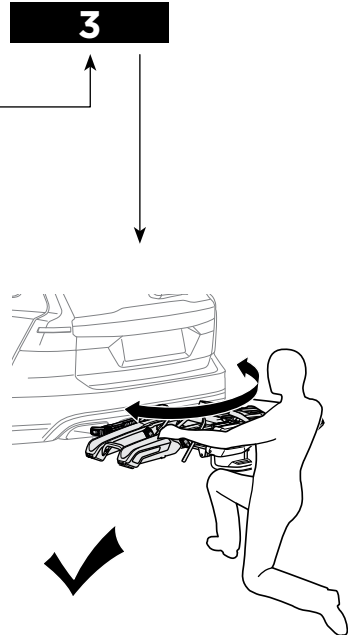
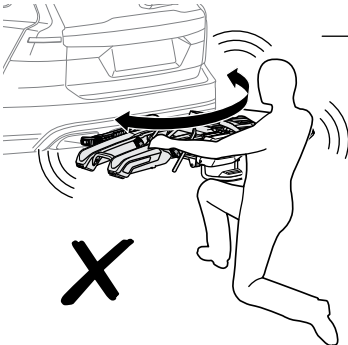
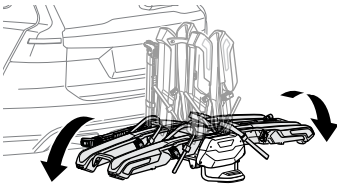


**7.5 lb ft
10 Nm**

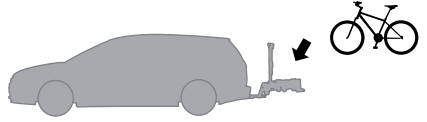
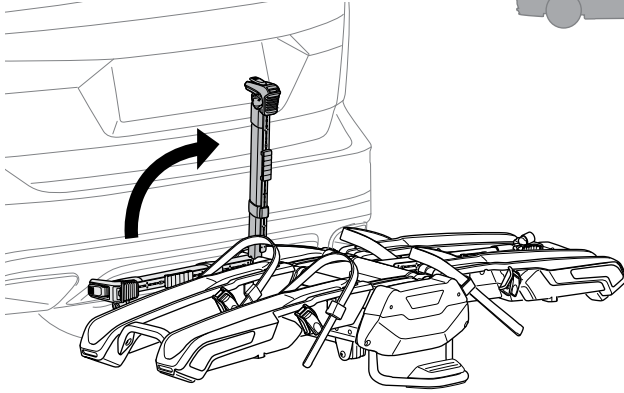
D



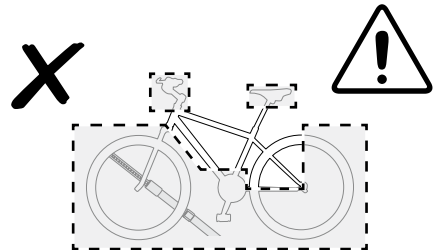
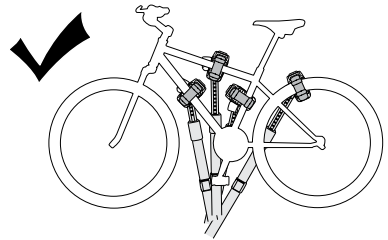
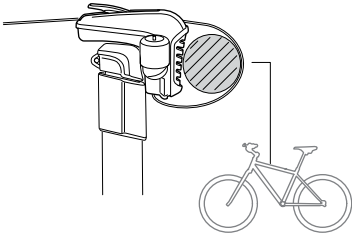
4

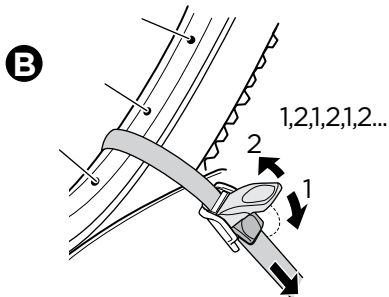
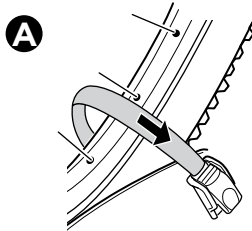
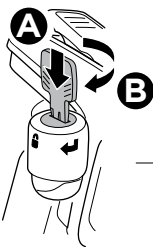
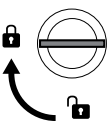
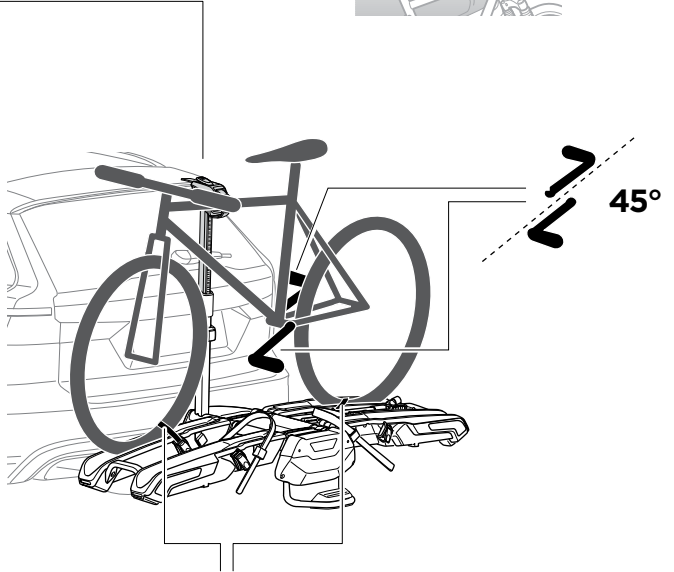
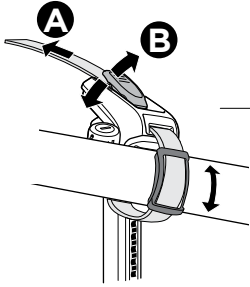
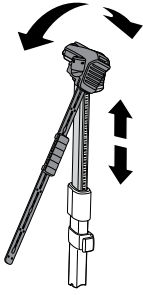
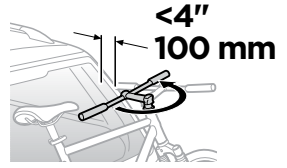


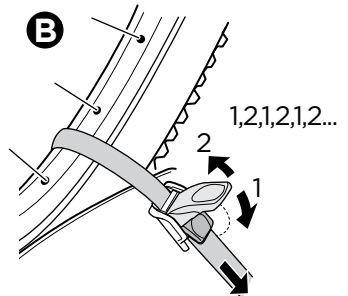
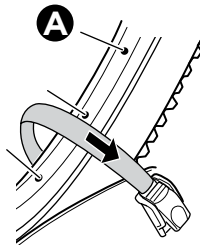
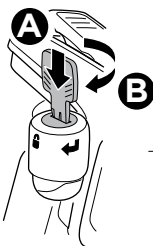
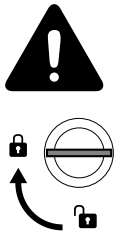
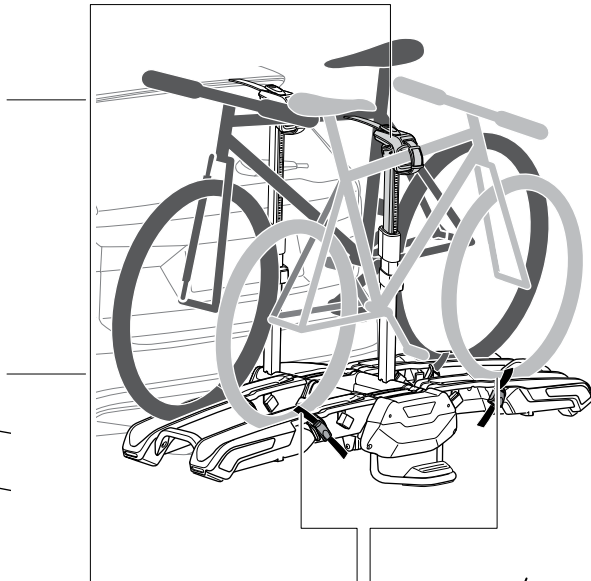
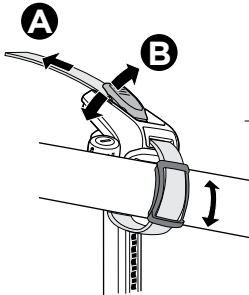
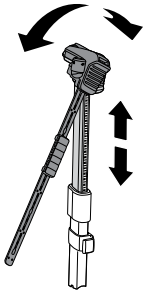
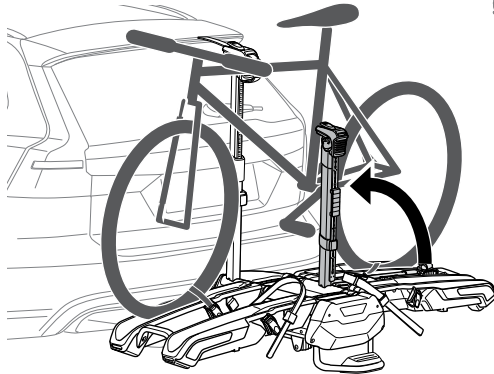
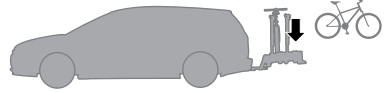
5

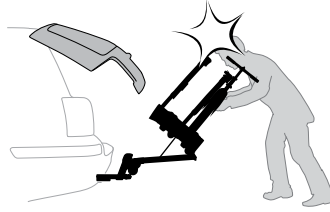
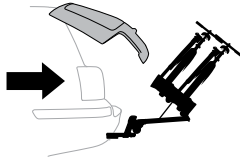
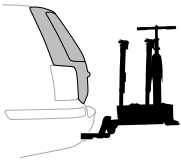


0.8-3.5"
20-90mm

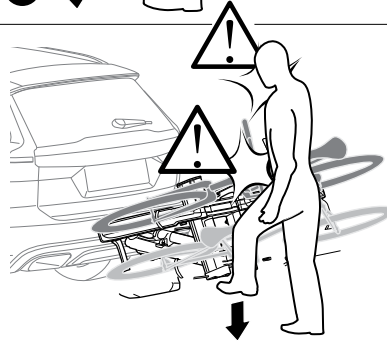
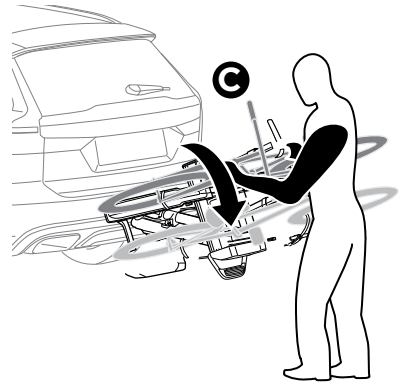
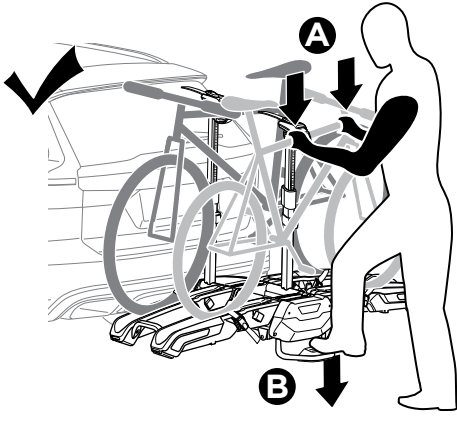




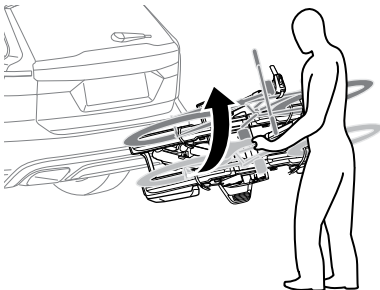




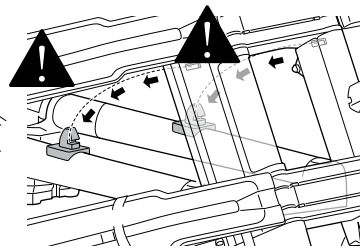
7

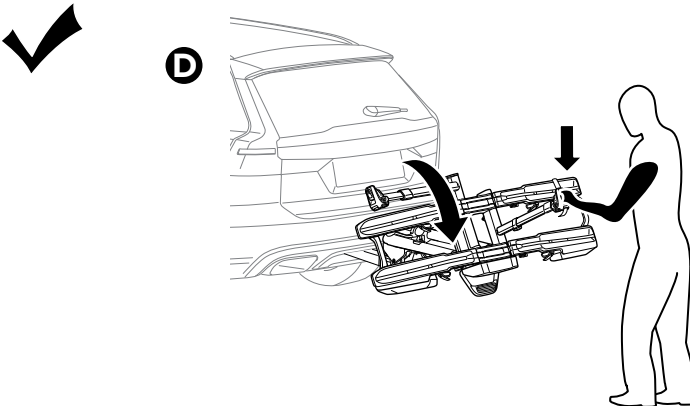
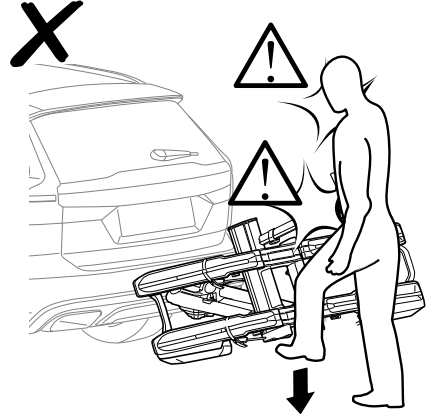
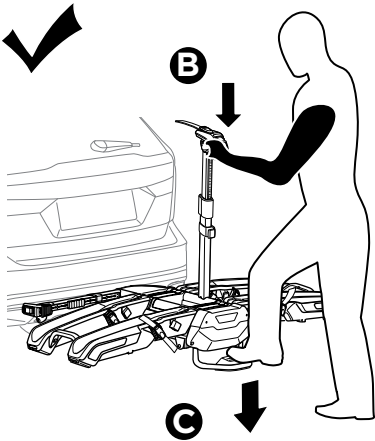
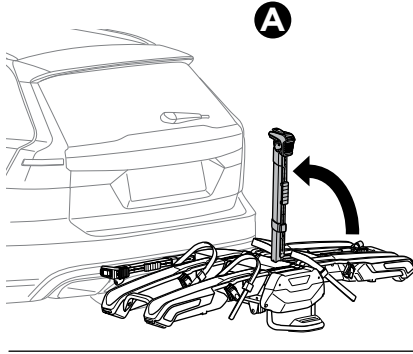


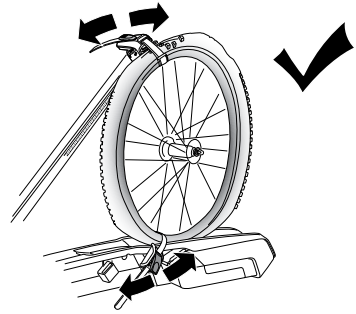
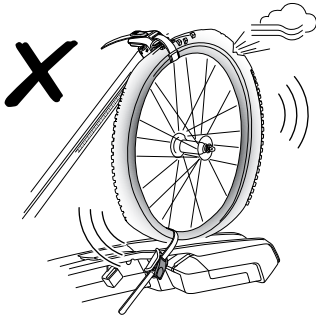
8



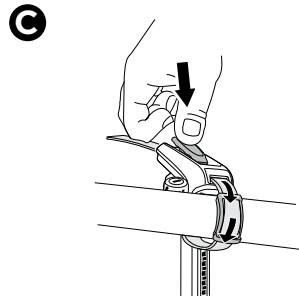
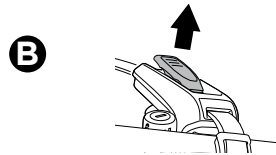
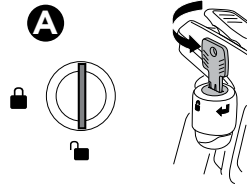
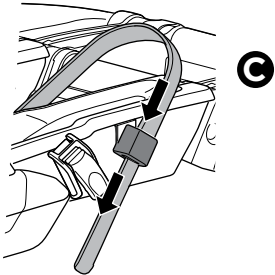
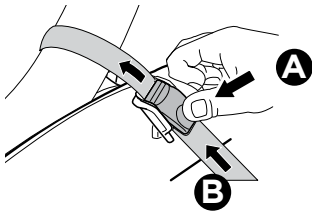
Click

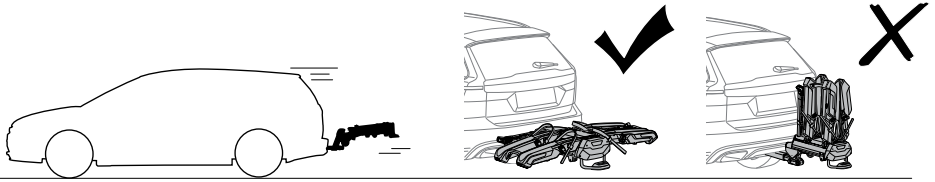




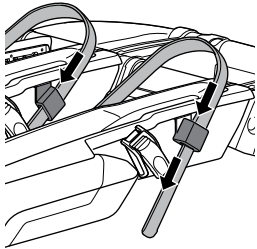


i

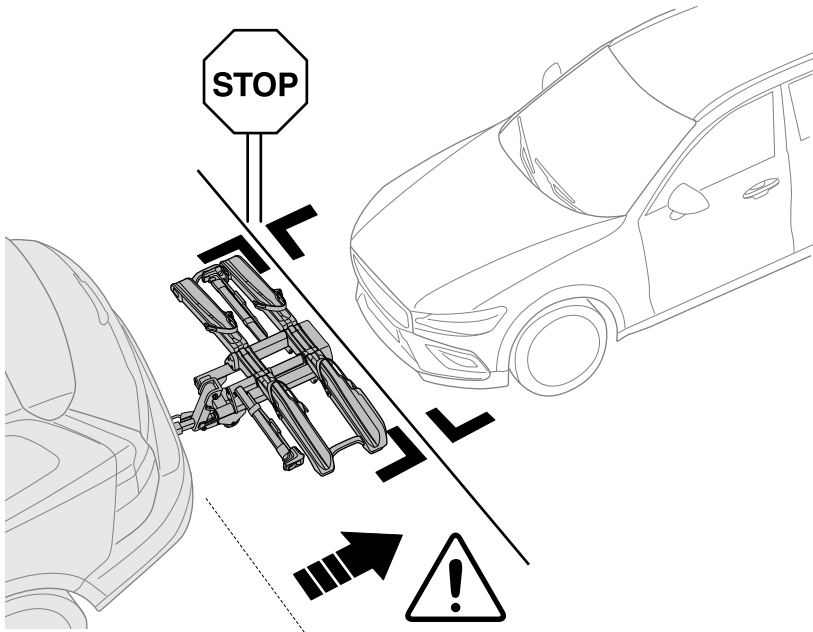
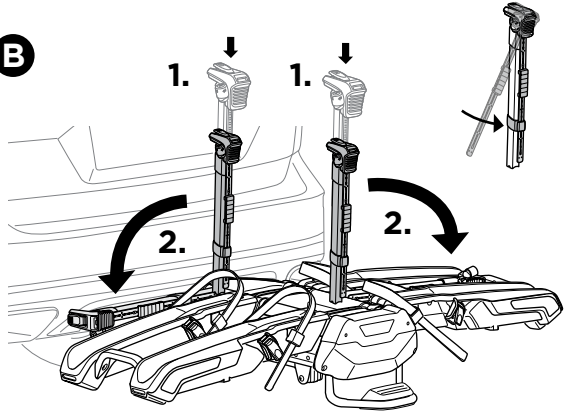


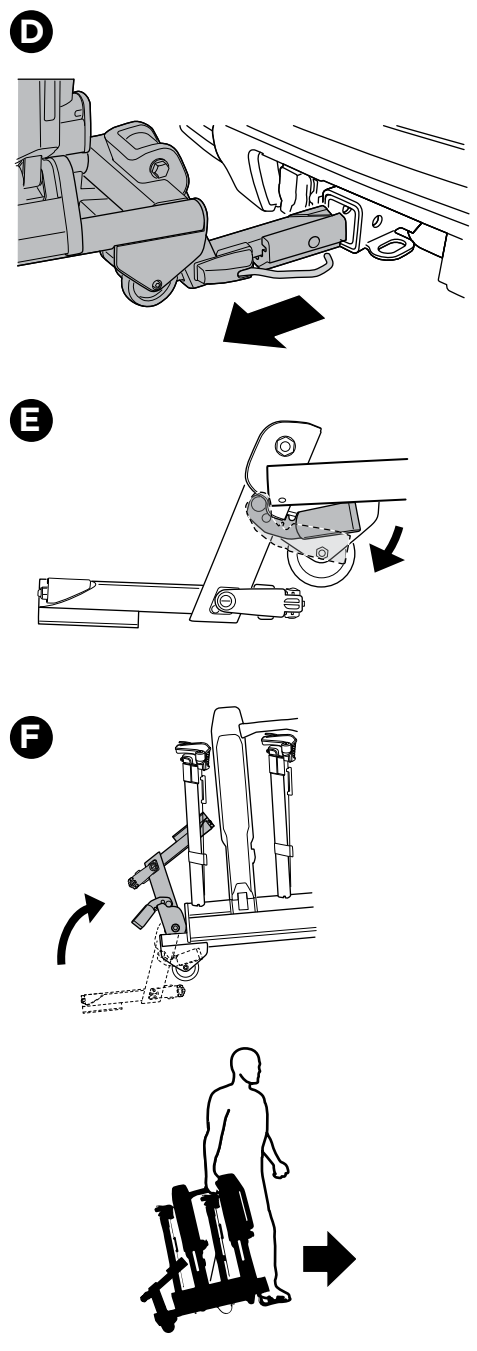
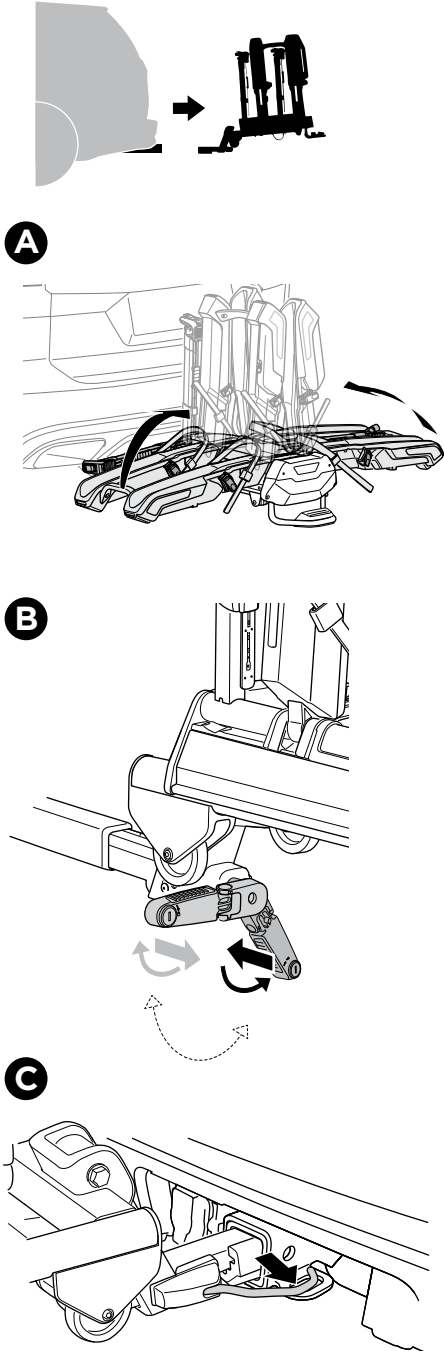


A



B

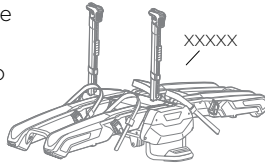




Spare parts



FR Pièces de rechange
ES Repuestos
PT Peças de reposição



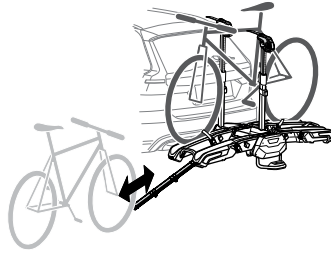
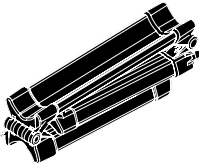
➔ [Thule.com](https://www.thule.com)

Accessories

FR Accessoires
ES Accesorios
PT Acessórios

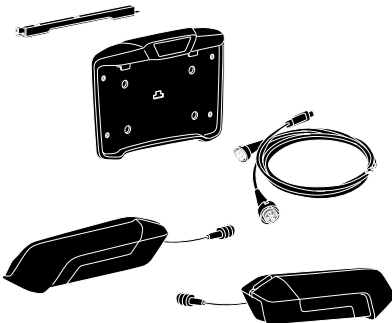
Thule Foldable Loading Ramp

9334



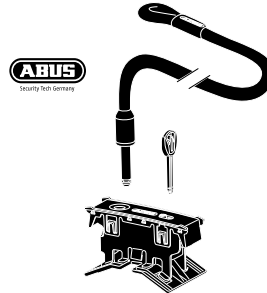
Thule Epos Light & Plate Kit

90332



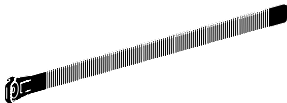
Thule High-Grade Lock

9785

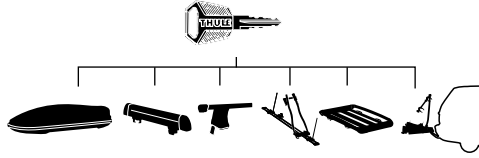


Thule Extra Long Wheel Straps

9851



Thule One-Key System



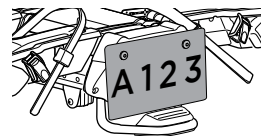
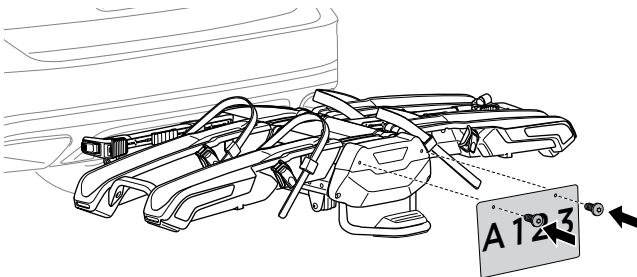
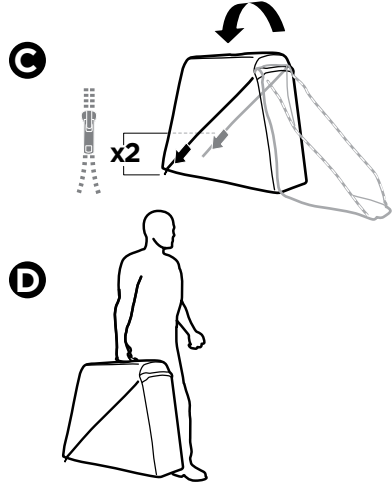
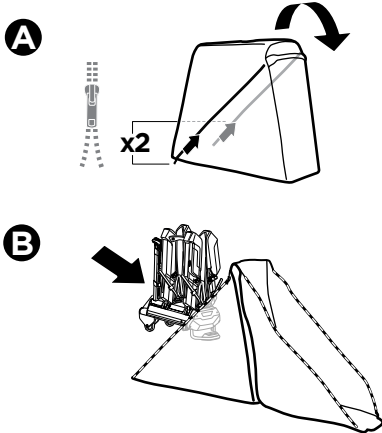
450200 (x2)

450400 (x4)

450600 (x6)

450800 (x8)

Thule Epos 2-bike Storage Bag 9786



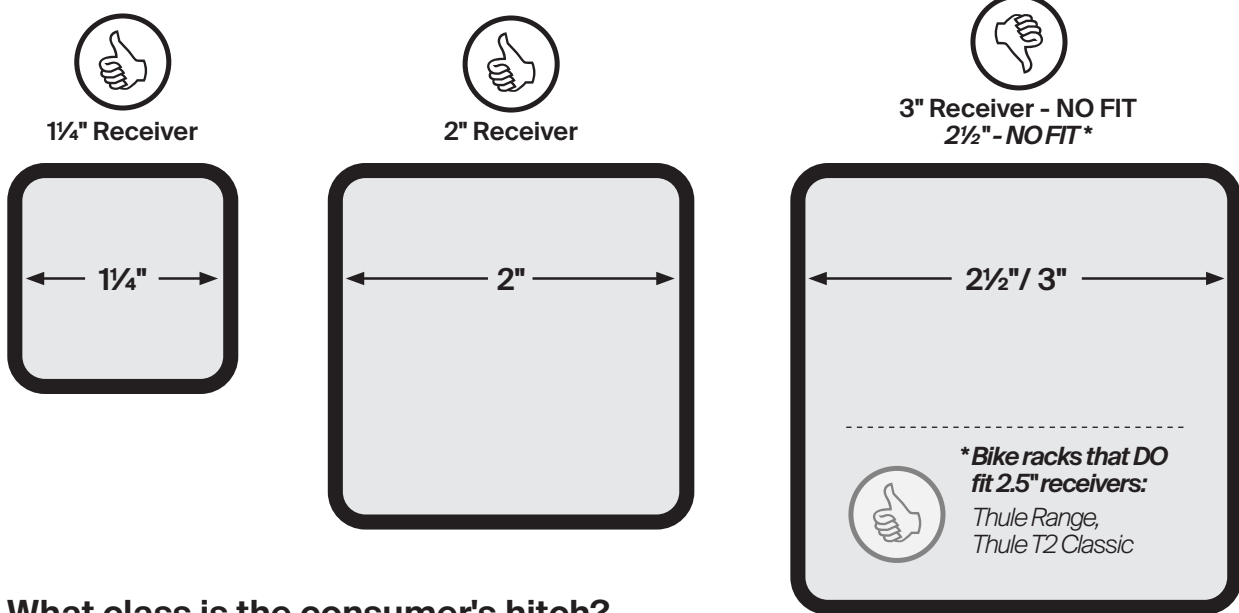
Thule Inc. 42 Silvermine Road, Seymour, CT 06483
Thule Canada Inc. 710 Bernard, Granby QC J2J 0H6
North American Consumer Service:
 Toll Free 800-238-2388, Fax 450-777-3615
www.thule.com

Register online at:
www.thule.com/register

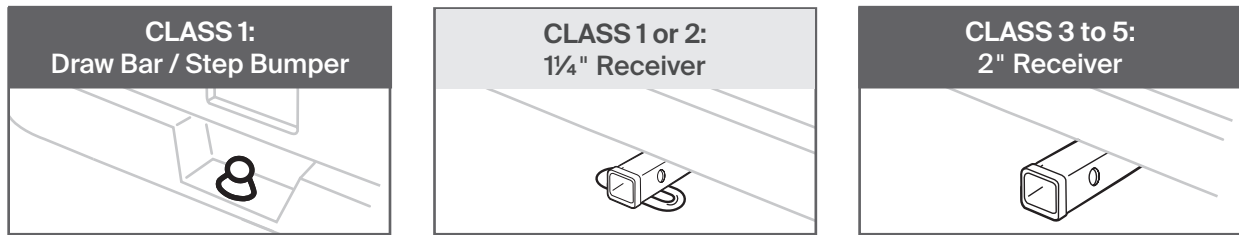
© Thule Group. All rights reserved.
 5562161001 | 2024-10-25 #07

Technical information

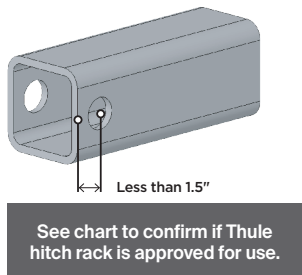
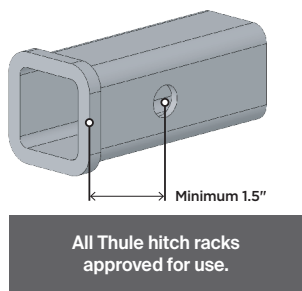
What size is the consumer's hitch?



What class is the consumer's hitch?



Consumer's hitch pin hole depth?



	Hitch Rack	Pin Hole Depth Requirement
HANGING	Apex XT Swing	
	9027XT	1.5"
	Helium Pro	
	9042Pro	1.5"
	9043Pro	1.5"
	Apex XT	
	9024XT	1.5"
	9025XT	1.5"
	9026XT	1.5"
	Camber	
	9056/9058	1.5"
	Range	
	9057	1.5"
ReVert		
9024500 (4B_2")	1.5"	
9026500 (6B_2")	1.5"	

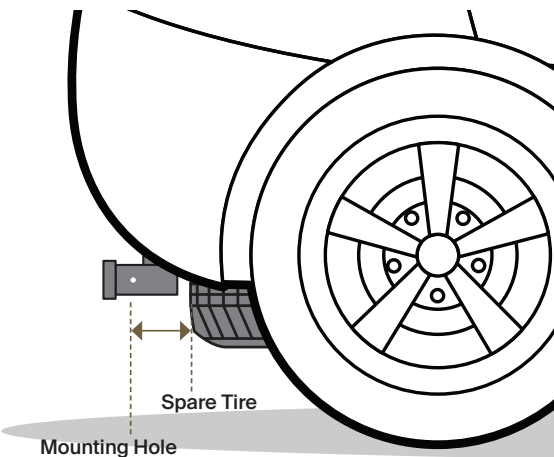
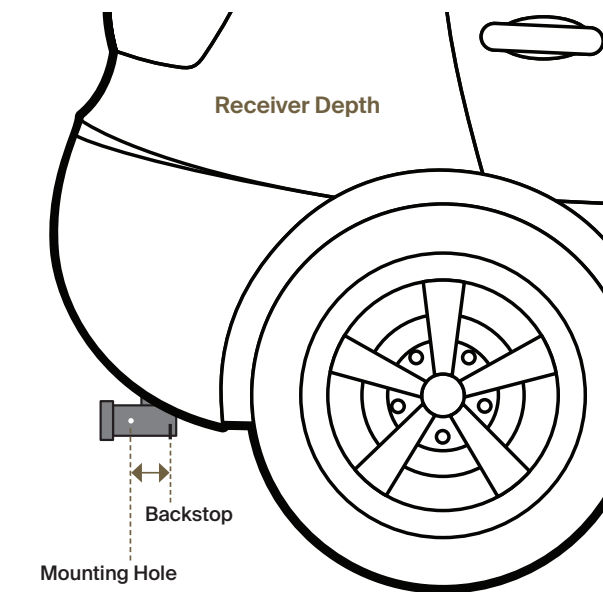
	Hitch Rack	Pin Hole Depth Requirement
PLATFORM	T2 Pro XT/XTR	
	9034XT / 9034XTR	1.125"
	9035XT / 9035XTR	1.5"
	9034XT/XTR + 9036XT	1.5"
	Verse	
	903452	1.5"
	903453	1.5"
	903452 + 903651	1.5"
	Epos	
	903210 / 903211	1.5"
	903310	1.5"
	Helium Platform XT	
	903901/904011	1.5"
	T2 Pro X	
	904450	1.125"
	904550	1.5"
	904450 + 904650	1.5"
	T1	
	9041	1.5"
	Doubletrack Pro XT	
	905402	1.5"
	EasyFold XT	
	903202	1.5"
OutPace		
9012500	1.5"	
9013500	1.5"	

Consumer's hitch receiver depth?

To ensure proper fit, it's important to know the depth of your receiver. Determine this by doing the following:

- With a ruler inserted in the receiver, measure from the center of the hitch mounting hole to the point where you make contact with an obstacle. **This is your receiver depth.**
- If you do not contact a back-stop or your hitch receiver does not have a backstop, another potential point of contact could be an undercarriage-mounted spare tire or the undercarriage itself.
- Using the table in the next page, compare your measurement to see which hitch racks will work with your vehicle.

Your receiver depth must be equal to or greater than the product measurement listed in the table for a proper fit.



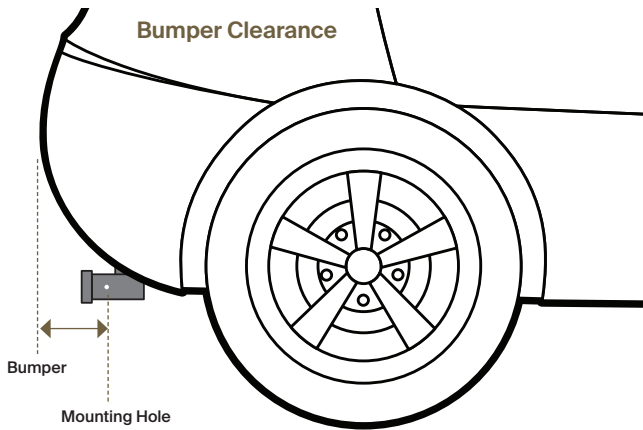
	Hitch Rack	Receiver Depth
PLATFORM	EasyFold XT	
	903202	1.4"
	Helium Platform XT	
	903901	2.3"
	904011	2.3"
	T2 Pro XT/XTR	
	9034XT/9034XTR	2.5"
	9035XT/9035XTR	1.4"
	9034XT/XTR + 9036XT	2.5"
	Verse	
	903452	2.55"
	903453	1.9"
	903452 + 903651	2.55"
	T2 Pro X	
	904450	2.5"
	904550	1.4"
904450 + 904650	2.5"	
Epos		
903210 / 903211	2"	
903310	2"	
T1		
9041	1.5"	
DoubleTrack Pro XT		
905402	1.5"	
OutPace		
9012500	2"	
9013500	2"	
HANGING	Apex XT Swing	
	9027XT	2.5"
	Helium Pro	
	9042PRO, 9043PRO	1.4"
	Apex XT	
	9024XT	1.4"
	9025XT	1.4"
	9026XT	1.4"
	Camber	
	9058/9056	1.5"
	Range	
	9057	2.4"
ReVert		
9024500 (4B_2")	2.55"	
9026500 (6B_2")	2.55"	

Technical information

Consumer's hitch bumper clearance?

Make sure your bumper will not interfere with the Thule hitch rack. Measure the distance from the center of the mounting hole on your hitch to the end of your bumper. *This is your bumper clearance.*

Your bumper clearance must be equal to or less than the product measurement listed in the table for a proper fit.



	Hitch Rack	Stowed Spare Tire Clearance	In-Use Spare Tire Clearance
PLATFORM	EasyFold XT		
	903202	12.0"	12.0"
	T2 Pro XT/XTR		
	9034XT/9034XTR	6.3"	20.5"
	9035XT/9035XTR	6.3"	20.5"
	9034XT/XTR + 9036XT	6.3"	20.5"
	Verse		
	903452	8.0"	18.7"
	903453	8.0"	18.7"
	903452 + 903651	8.0"	18.7"
	Helium Platform XT		
	903901	N/A	11.0"
	904011	N/A	11.0"
	T2 Pro X		
	904450	6.3"	20.5"
	904550	6.3"	20.5"
	904450 + 904650	6.3"	20.5"
	Epos		
	903210 / 903211	N/A	9.5"
	903310	N/A	9.5"
T1			
9041	6.0"	19.3"	
DoubleTrack Pro XT			
9054/905402	6.0"	6.0"	
OutPace			
9012500	4.3"	9.4"	
9013500	4.3"	9.4"	
HANGING	Apex XT Swing		
	9027XT	8.8"	8.8"
	Helium Pro		
	9042Pro/9043Pro	13.3"	13.3"
	Apex XT		
	9024XT	10.3"	10.3"
	9025XT	10.3"	10.3"
	9026XT	10.3"	10.3"
	Camber		
	9058/9056	7.3"	7.3"
	Range		
	9057	6.9"	6.9"
	ReVert		
	9024500 (4B_2")	12.9"	N/A
	9026500 (6B_2")	12.9"	N/A

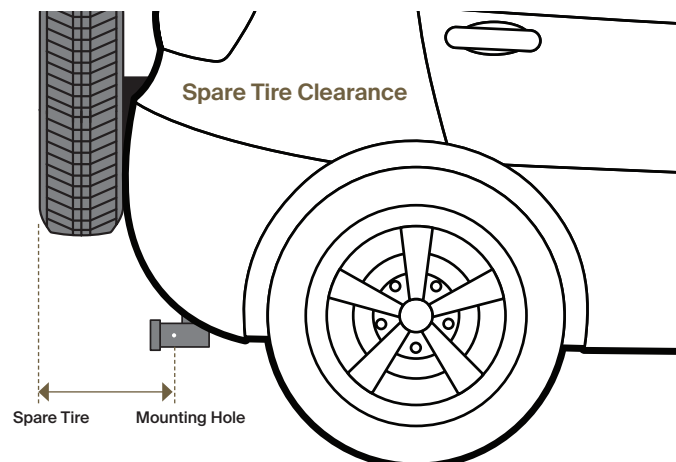
	Hitch Rack	Bumper Clearance
PLATFORM	EasyFold XT	
	903202	9.5"
	T2 Pro XT/XTR	
	9034XT/9034XTR	6.3"
	9035XT/9035XTR	6.3"
	9034XT/XTR + 9036XT	6.3"
	Verse	
	903452	10.5"
	903453	10.5"
	903452 + 903651	10.5"
	Helium Platform XT	
	903901	3"
	904011	3"
	T2 Pro X	
	904450	6.3"
	904550	6.3"
	904450 + 904650	6.3"
	Epos	
	903210 / 903211	6.3"
	903310	6.3"
T1		
9041	6.5"	
DoubleTrack Pro XT		
9054/905402	6.0"	
OutPace		
9012500	6.5"	
9013500	6.5"	
HANGING	Apex XT Swing	
	9027XT	7.3"
	Helium Pro	
	9042Pro/9043Pro	10.8"
	Apex XT	
	9024XT	7.0"
	9025XT	7.0"
	9026XT	7.0"
	Camber	
	9058/9056	5.3"
	Range	
	9057	5.4"
	ReVert	
	9024500 (4B_2")	12.9"
	9026500 (6B_2")	12.9"

Consumer's spare tire clearance?

If you have a spare tire on the back of your vehicle it may interfere with the installation of your Thule hitch rack. Measure the distance from the center of the mounting hole on your hitch receiver to the end of your spare tire.

This is your spare tire clearance.

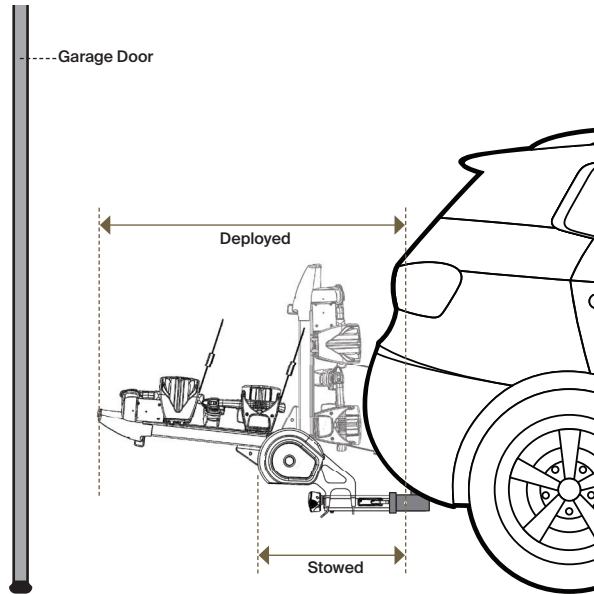
Your spare tire clearance must be equal to or less than the product measurement listed in the table for a proper fit.



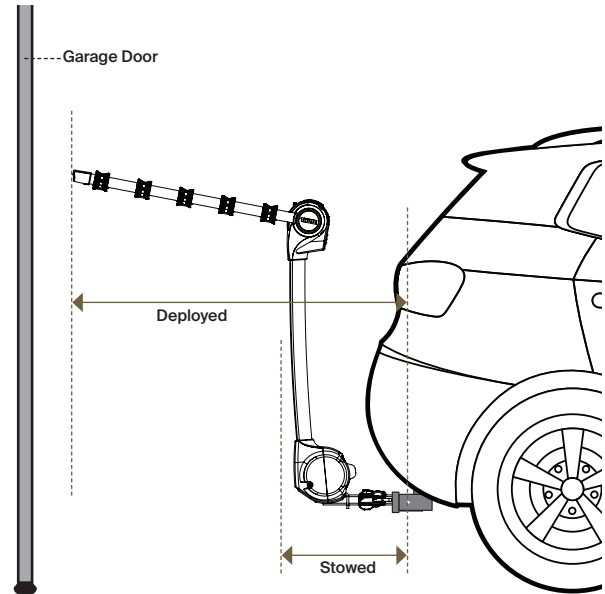
Consumer's garage clearance?

If you will be parking your vehicle in a garage with the rack mounted, you can use these measurements to help you determine if there will be any interference issues with fitting your vehicle into your garage space with the rack in the stowed position or deployed position.

Garage Clearance – Platform Models



Garage Clearance – Swing & Tilt Models



PLATFORM	Hitch Rack	Stowed Clearance	Deployed Clearance
	T2 Pro XT/XTR		
	9034XT/9034XTR	20.5"	41.5"
	9035XT/9035XTR	20.5"	41.5"
	9034XT/XTR + 9036XT	20.5"	60.1"
	Verse		
	903452	21.6"	42.7"
	903453	21.6"	42.7"
	903452 + 903651	21.6"	65.2"
	T1		
	9041	14.3"	28.5"
	T2 Pro X		
	904450	20.5"	41.5"
	904550	20.5"	41.5"
	904450 + 904650	20.5"	60.1"
	Epos		
	903210 / 903211	N/A	33.7"
	903310	N/A	43.5"
	DoubleTrack Pro XT		
	9054/905402	14.5"	33"
Helium Platform XT			
903901	13.5"	20.8"	
904011	13.5"	30.7"	
EasyFold XT			
903202	32"	32"	
OutPace			
9012500	13.2"	30.3"	
9013500	13.2"	39"	

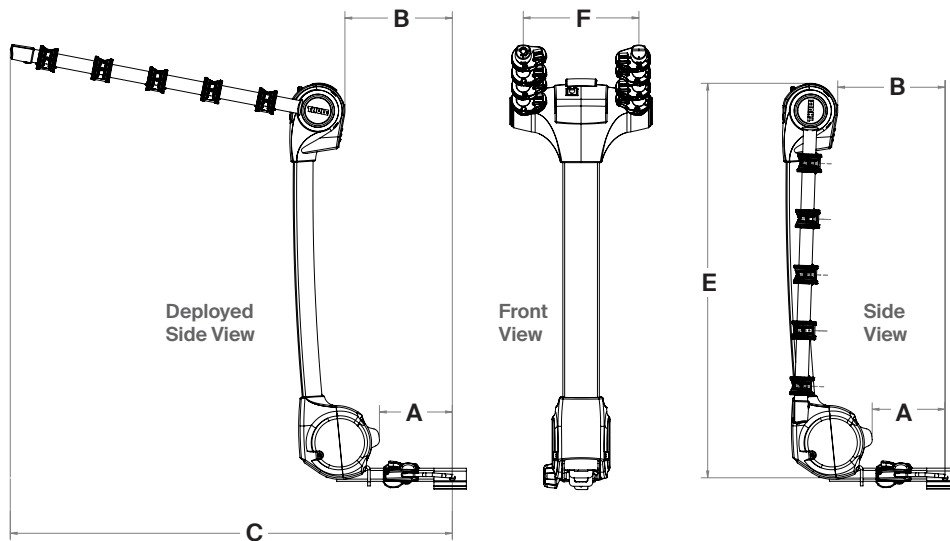
HANGING	Hitch Rack	Stowed Clearance	Deployed Clearance
	Helium Pro		
	9042PRO	20.7"	32.0"
	9043PRO	21.9"	39.0"
	Apex XT		
	9024XT	14.7"	28.2"
	9025XT	14.7"	38.1"
	9026XT	14.7"	42.1"
	Camber		
	9058	14.8"	28.3"
	9056	14.8"	42.2"
	Range		
	9057	14.4"	42.0"
	Apex XT Swing		
	9027XT	15.2"	42.2"
	ReVert		
	9024500 (4B_2")	27.5"	N/A
	9026500 (6B_2")	27.5"	N/A

Technical information

Hitch dimensions

Though we design our hitch-mounted bike carriers to be as universal as possible, all vehicles are designed differently. These diagrams have been designed to help you better understand the “room” our hitch-mounted bike racks need to function properly.

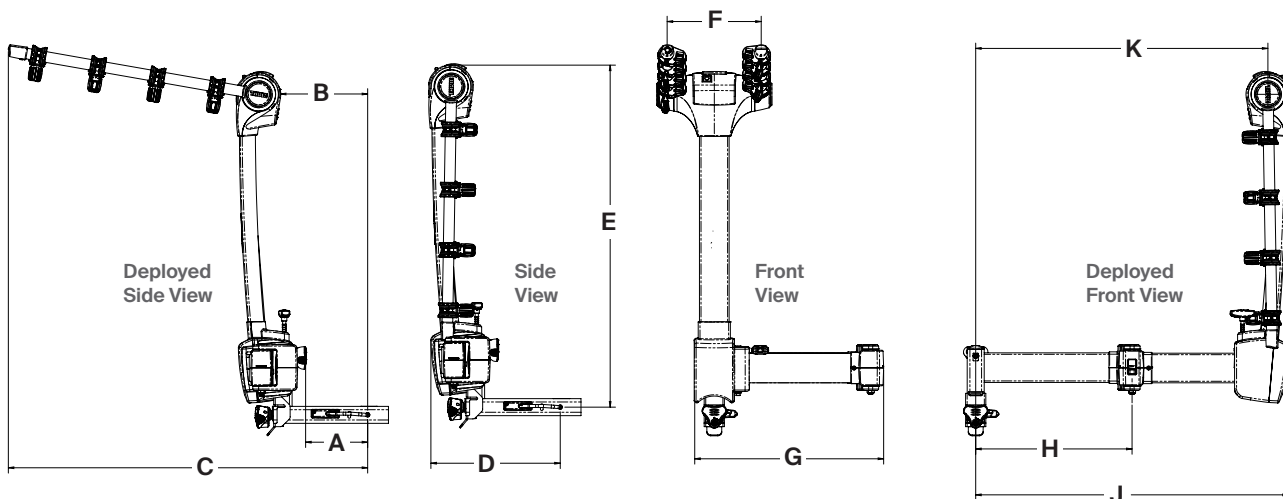
Tilt hitch racks



MODEL	A	B	C	D	E	F
9042PRO	10.8"	13.2"	32"	20.7"	37.3"	11"
9043PRO	10.8"	13.2"	39"	21.9"	37.3"	11"
9024XT	7"	9.3"	28.2"	15.4"	37"	11"
9025XT	7"	9.3"	42.1"	15.4"	37"	11"
9026XT	7"	9.3"	42.1"	15.4"	37"	11"

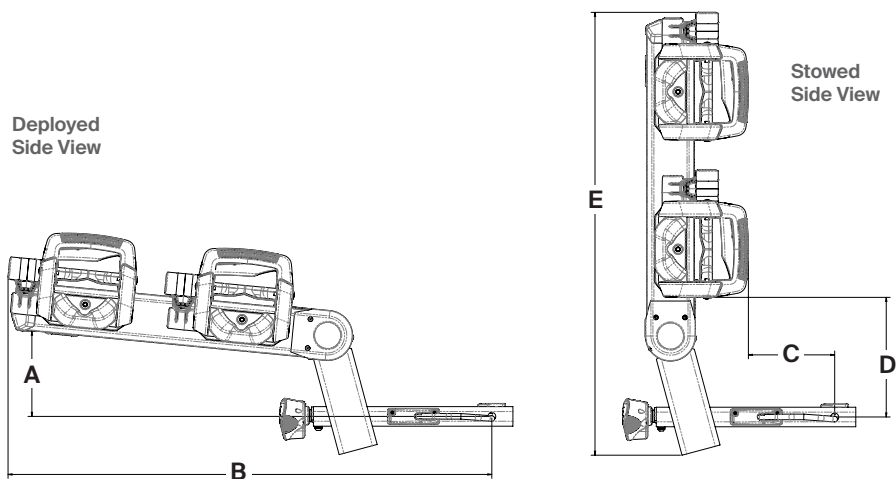
MODEL	A	B	C	D	E	F
9058	5.3"	6.7"	28.3"	14.8"	35.6"	11"
9056	5.3"	6.7"	42.2"	14.8"	35.6"	11"
9057	8.5"	6.3"	42.1"	14.8"	35.6"	11"

Swing away hitch racks



MODEL	A	B	C	D	E	F	G	H	J	K
9027XT	7.3"	10.3"	42.2"	15.2"	40.2"	11.1"	22.2"	18.4"	36.7"	34.3"

Platform hitch racks

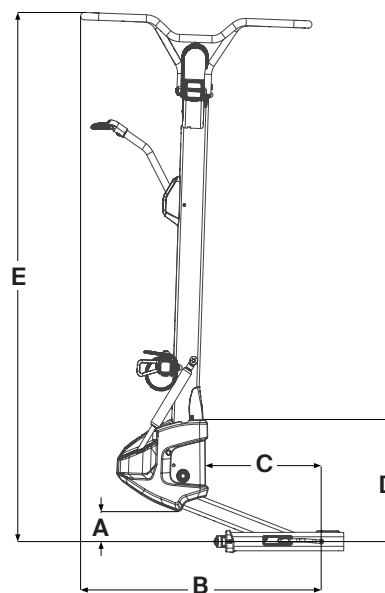


MODEL	A	B	C	D	E
903901	4.4"	21"	5.6"	8"	18.5"
904011	5"	31"	5.6"	8"	28"
903202	6"	32"	9.5"	N/A	32"
903452	3.35"	42.7"	8"	11.6"	34.5"
903453	3.35"	42.7"	8"	11.6"	34.5"
903452 + 903651	7.3"	65.1"	8"	11.6"	56.4"
903210	3.5"	33.7"	6.3"	N/A	N/A
903211	3.5"	33.7"	6.3"	N/A	N/A
903310	4.3"	43.5"	6.3"	N/A	N/A
9041	4.5"	28.5"	3.5"	15.3"	26.5"
9044	6.4"	35.3"	4.5"	8.9"	29.25"
9045	7.9"	34.3"	3.5"	10.4"	28"

MODEL	A	B	C	D	E
9034XTR	7.6"	41.5"	6.25"	7.9"	33.8"
9035XTR	7.9"	41.5"	6.25"	7.9"	33.8"
9034XTR + 9036XTB	9.6"	60.1"	6.26"	7.9"	52.5"
904450	7.6"	41.5"	6.25"	7.9"	33.8"
904550	7.9"	41.5"	6.25"	7.9"	33.8"
904450 + 904650	9.6"	60.1"	6.26"	7.9"	52.5"
9044 + 9046	7.9"	55"	4.5"	8.9"	49"
9054	5"	33.9"	5.8"	14.25"	30.6"
9012500	12.2"	30.3"	4.3"	3.7"	29.2"
9013500	14.1"	39"	4.3"	3.7"	38.2"

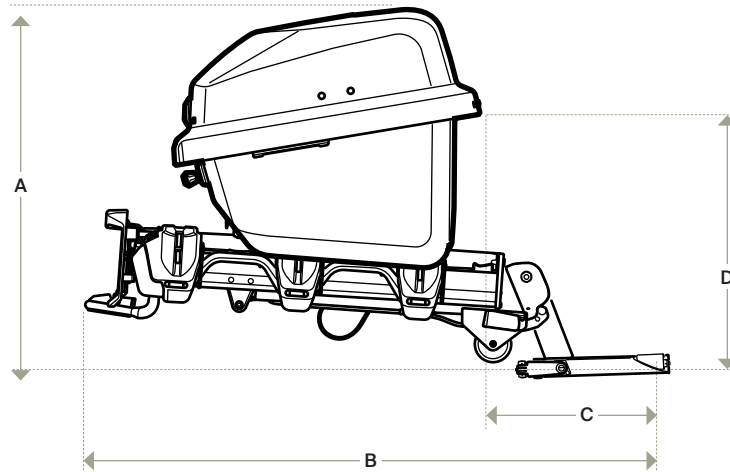
Vertical hanging hitch racks

MODEL	A	B	C	D	E
9024500 (4B_2")	3.2"	27.5"	12.9"	13.1"	56.6"
9026500 (6B_2")	3.2"	27.5"	12.9"	13.1"	56.6"



Thule Santu with hitch bike rack measurements

To determine the clearance around Thule Santu (with Thule Epos or Thule EasyFold XT) and your vehicle, refer to the chart below.

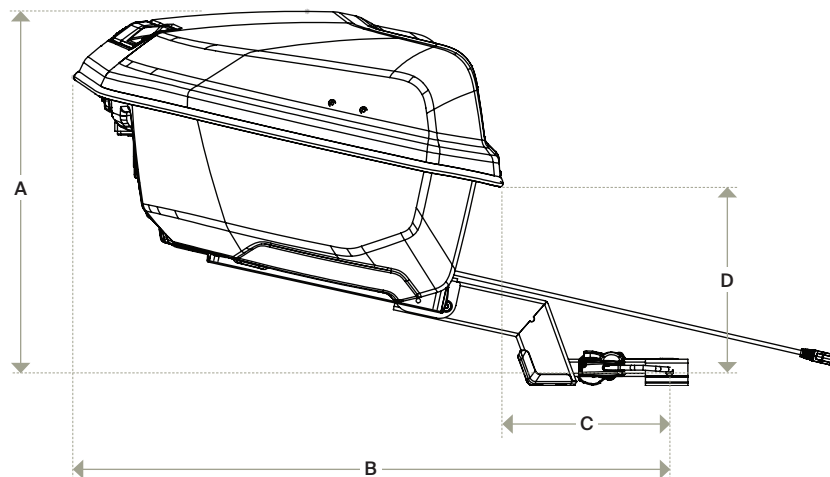


MODEL	A	B	C	D
909401 + 903210 (Epos 2 bike)	28.7" / 72.9 cm	33.7" / 85.5 cm	N/A*	N/A*
909401 + 903211 (Epos 2 bike)	28.7" / 72.9 cm	33.7" / 85.5 cm	N/A*	N/A*
909401 + 903310 (Epos 3 bike)	29.6" / 75.2 cm	43.5" / 110.5 cm	N/A*	N/A*
909401 + 903202 (EasyFold XT)	30.5" / 77.5 cm	32" / 81.2 cm	N/A*	N/A*

* carrier tilts down for trunk/hatch clearance

Thule Arcos hitch measurements

To determine the clearance around Thule Arcos and your vehicle, refer to the chart below.



MODEL	A	B	C	D
906201 + 906301	26.1" / 66.3 cm	43.2" / 109.6 cm	12.2" / 31.2 cm	14.2" / 36 cm