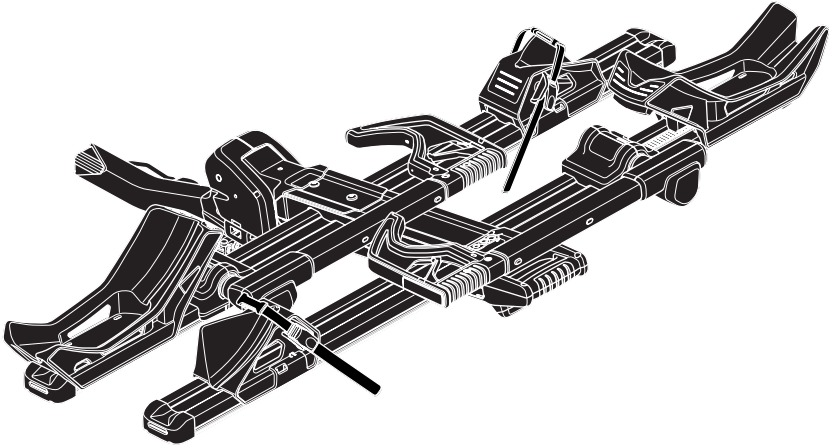
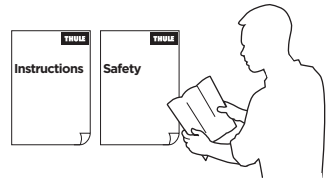


➤ Instructions

Thule Verse
2-Bike 2", 2-Bike 1.25"
903452, 903453





EN

IMPORTANT - READ THE INSTRUCTIONS CAREFULLY BEFORE USE AND KEEP FOR FUTURE REFERENCE.

Symbols



CAUTION indicates a hazardous situation which, if not avoided, could result in minor or moderate injury.



Note indicates additional information that is useful for trouble-free and optimal use of the product.

ES

IMPORTANTE - LEER LAS INSTRUCCIONES CUIDADOSAMENTE ANTES DEL USAR Y CONSERVELAS PARA FUTURA REFERENCIA.

Símbolos



ATENCIÓN indica una situación peligrosa que, si no se evita, podría provocar lesiones leves o moderadas.



NOTA indica información adicional que es útil para un uso óptimo y sin problemas del producto.

FR

IMPORTANT - LISEZ ATTENTIVEMENT LES INSTRUCTIONS AVANT UTILISATION ET CONSERVEZ-LES POUR RÉFÉRENCE FUTURE.

Symboles



ATTENTION indique une situation potentiellement dangereuse susceptible qui, si elle n'est pas évitée, peut entraîner des blessures mineures ou modérées.



REMARQUE indique comment répondre à une situation donnée et vous donnent des conseils sur le fonctionnement des options disponibles.

PT

IMPORTANTE - LER CUIDADOSAMENTE AS INSTRUÇÕES ANTES DE USAR E GUARDÁ-LAS PARA FUTURA REFERÊNCIA.

Símbolos

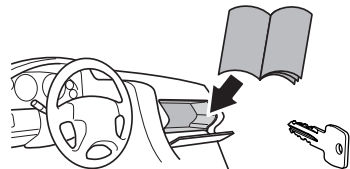
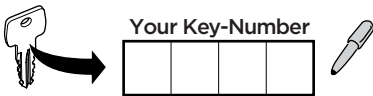
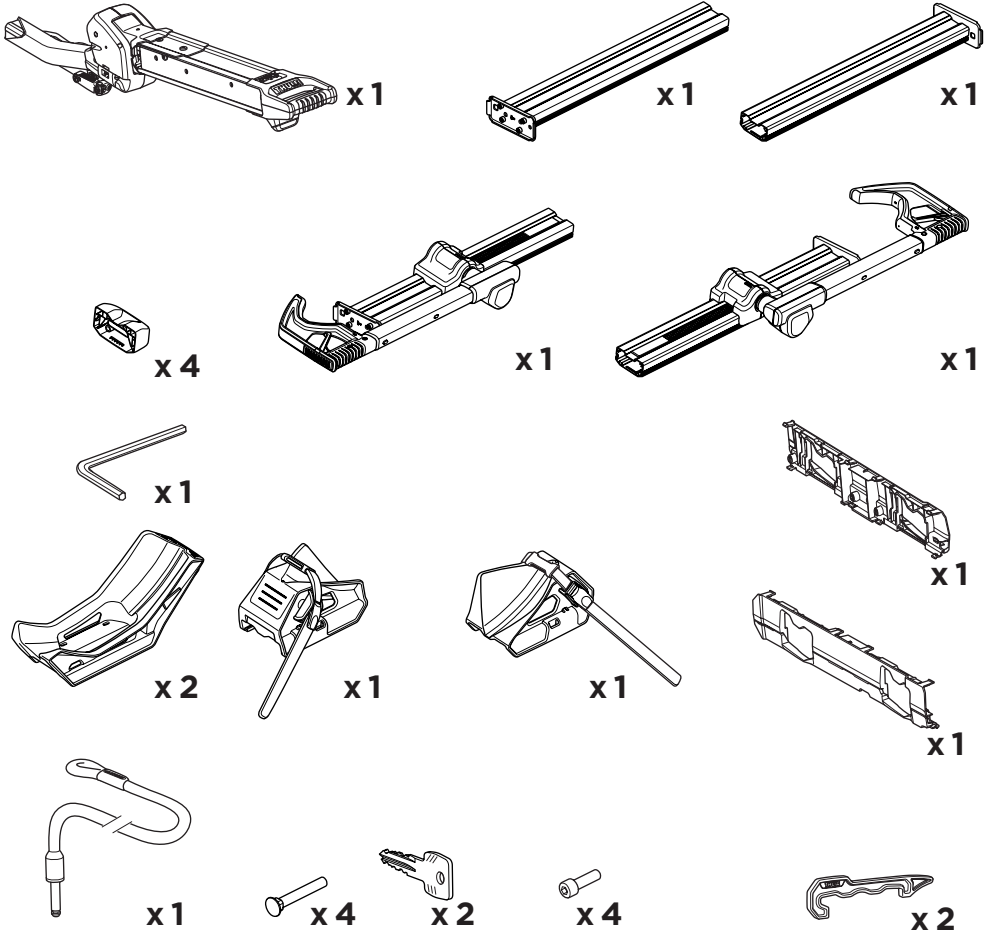


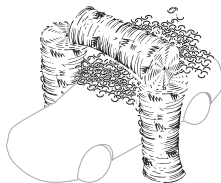
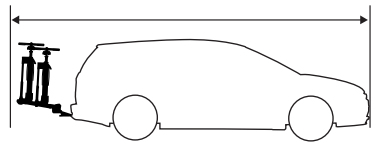
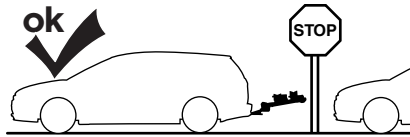
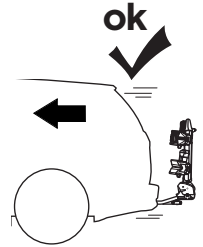
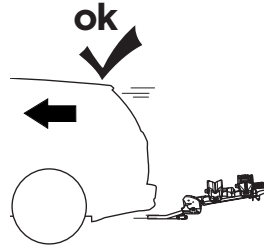
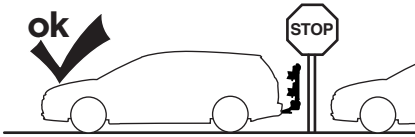
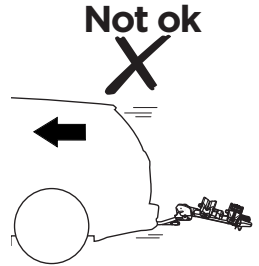
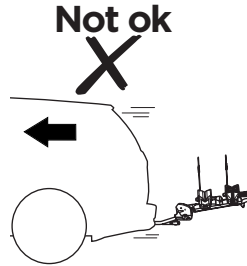
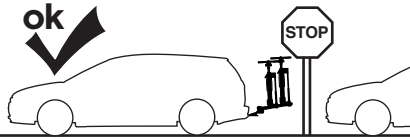
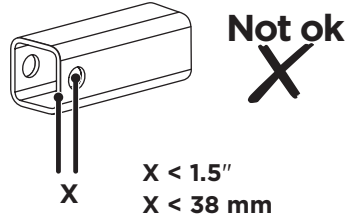
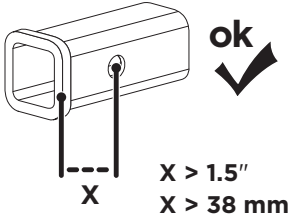
CUIDADO indica uma situação perigosa que, se não for evitada, pode resultar em ferimentos ligeiros ou moderados.



NOTA indica informações adicionais que são úteis para a utilização ideal e sem problemas do produto.

i







58 lbs. (26 kg)

2" Hitch

903452



Max 60 lbs.
(27.5 kg)



Max 120 lbs.
(55 kg)



1.25" Hitch

903453



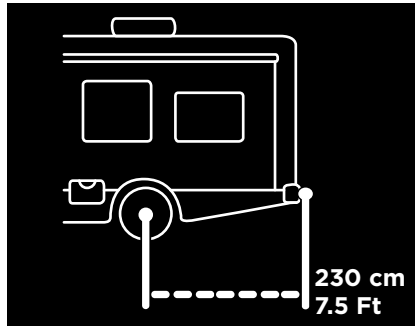
Max 55 lbs.
(25 kg)



Max 110 lbs.
(50 kg)



Load capacity
Capacité
Capacidad de carga
Capacidade de carga



EN

Motorized RV* travel at 60% load capacity (i.e., 40% total load reduction) when mounted on van conversions or motorized RV vehicles with an overhang exceeding 230 cm (7.5 ft), measured from the center of the rear wheel to the most distant rear point of the vehicle.



WARNING!

This carrier is not compatible with travel trailers/caravans, 5th wheels or any bumper mounted hitch receiver.

* Refer to definition 49 CFR 571.3 (c) "Motor home", National Highway Traffic Safety Administration, Department of Transportation.

FR

Les voyages en VR motorisés* se font à 60 % de la capacité de charge (c'est-à-dire, une réduction de 40 % de la charge totale) lorsqu'ils sont montés sur des conversions de fourgon ou des véhicules VR motorisés avec un surplomb dépassant 230 cm (7.5 pieds), mesuré depuis le centre de la roue arrière jusqu'au point arrière le plus éloigné du véhicule.



AVERTISSEMENT!

Ce porte-vélos n'est pas compatible avec les caravanes de voyage, les caravanes à sellette ou tout récepteurs d'attelage de pare-chocs.

* Veuillez vous référer à la définition 49 CFR 571.3 (c) "motor home", national highway traffic safety administration, department of transportation.

ES

Los viajes en vehículos recreativos motorizados* se realizan al 60 % de la capacidad de carga (es decir, una reducción del 40 % de la carga total) cuando se montan en conversiones de furgonetas o vehículos recreativos motorizados con un voladizo que excede los 230 cm (7.5 pies), medido desde el centro de la rueda trasera hasta el punto trasero más distante del vehículo.



ADVERTENCIA!

Este portabicicletas no es compatible con remolques de viaje/caravanas, casas rodantes de quinta rueda ni con ningún enganche montado en el parachoques

* Consulte la definición 49 CFR 571.3 (c) "motor home", national highway traffic safety administration, departamento de transporte.

PT

Viagens em veículos recreativos motorizados* devem ser realizadas com 60% da capacidade de carga (ou seja, uma redução de 40% da carga total) quando montados em conversões de vans ou veículos recreativos motorizados com um balanço que exceda 230 cm (7.5 pés), medido a partir do centro da roda traseira até o ponto traseiro mais distante do veículo.



ATENÇÃO!

Este suporte não é compatível com reboques/caravanas de viagem, reboques de quinta roda ou com qualquer engate montado no para-choque. lamente como está a fixação da carga.

* Consulte a definição 49 CFR 571.3 (c) "Motor home", National Highway Traffic Safety Administration, Departamento de Transporte.



ok



ok



Not ok



Not ok



Not ok



2" Hitch
903452

1.25" Hitch
903453

ok



Not ok



903651

Thule Verse 2B Add-on



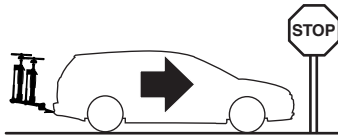
20" min and 29" max



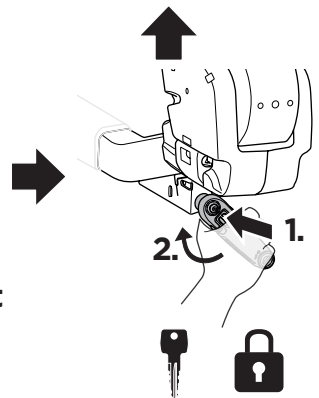
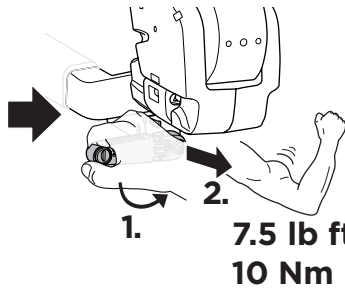
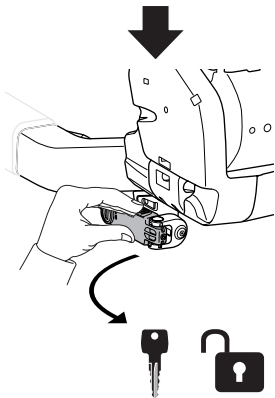
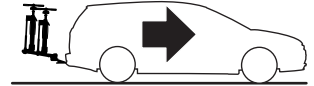
1"- 5" max



33" min and 53" max
wheelbase



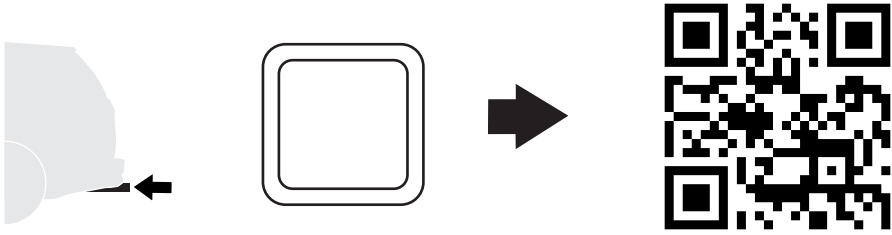
300 miles
500 km



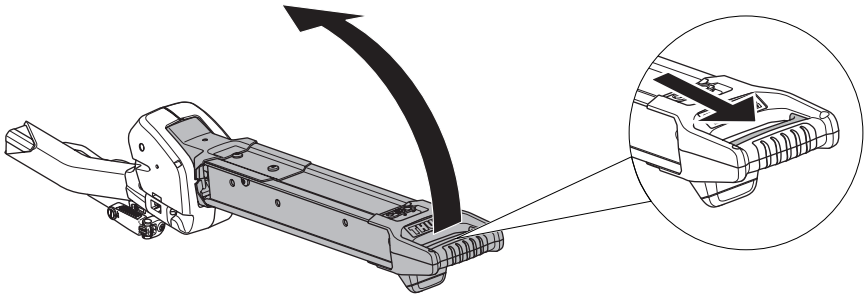
903452
Thule Verse
+
903651
Thule Verse 2B Add-on



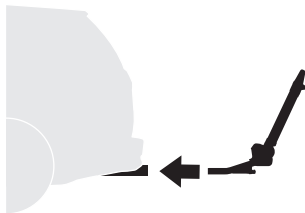
i



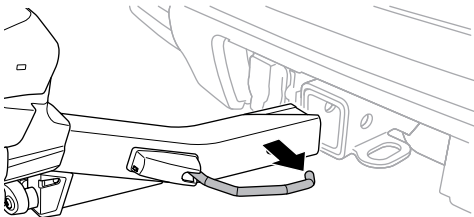
1



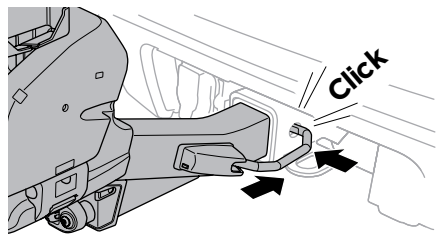
2



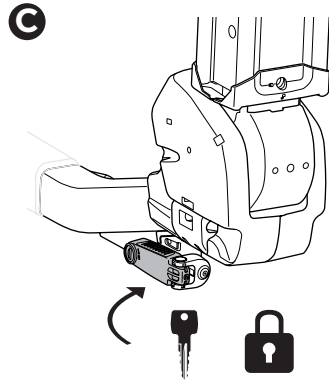
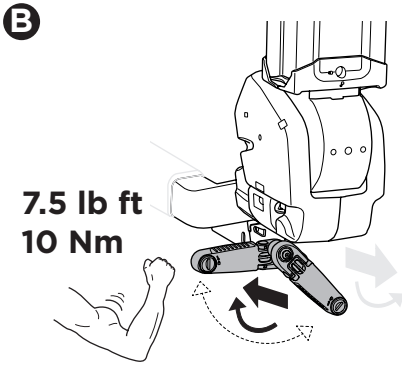
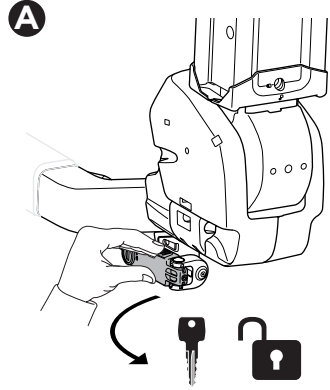
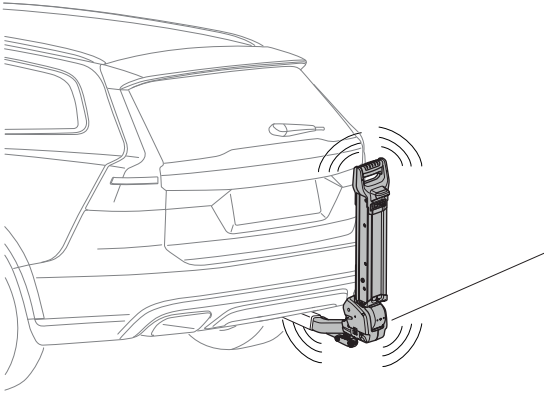
A



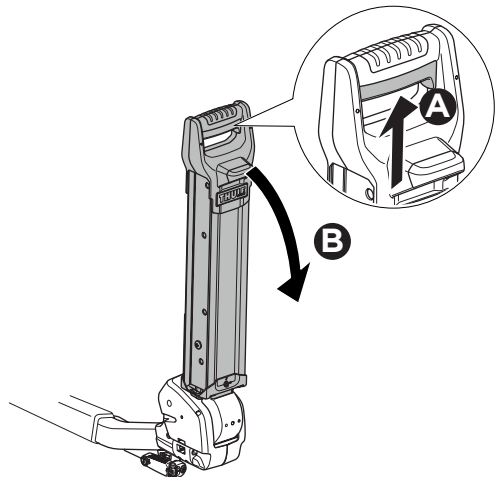
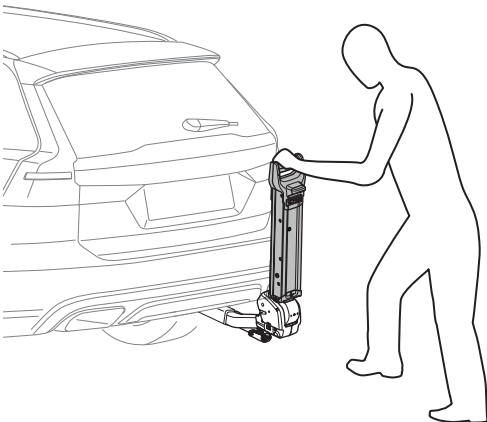
B

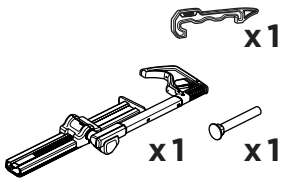
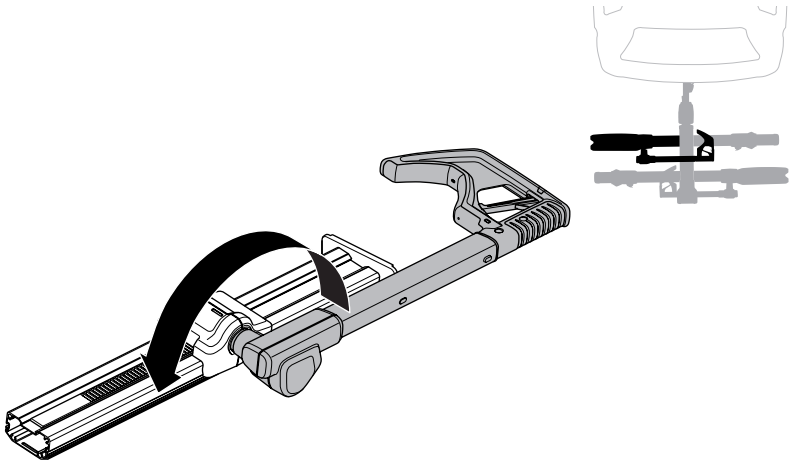
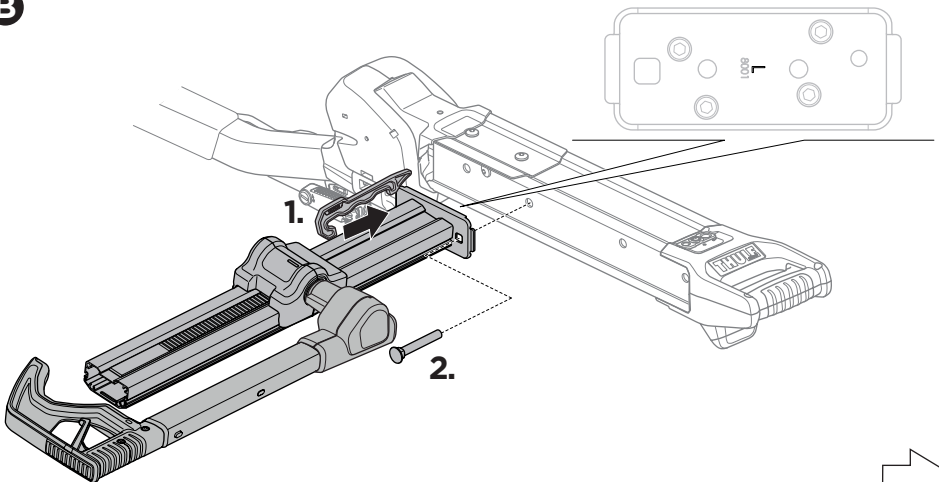


3

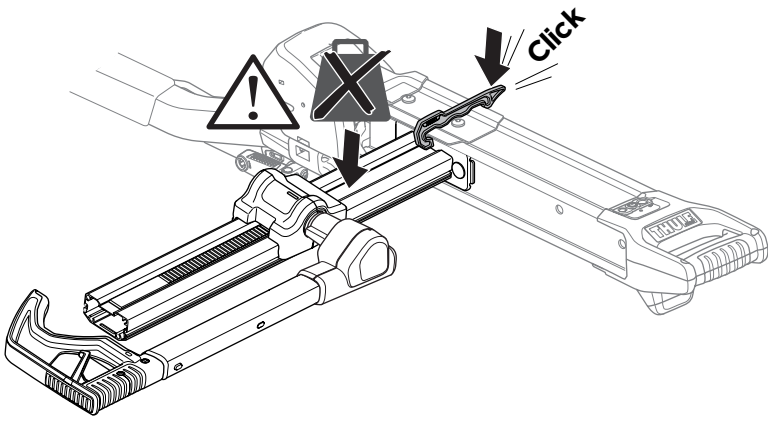
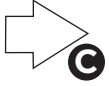


4

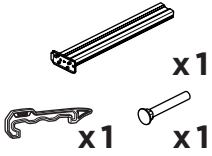


**A****B**

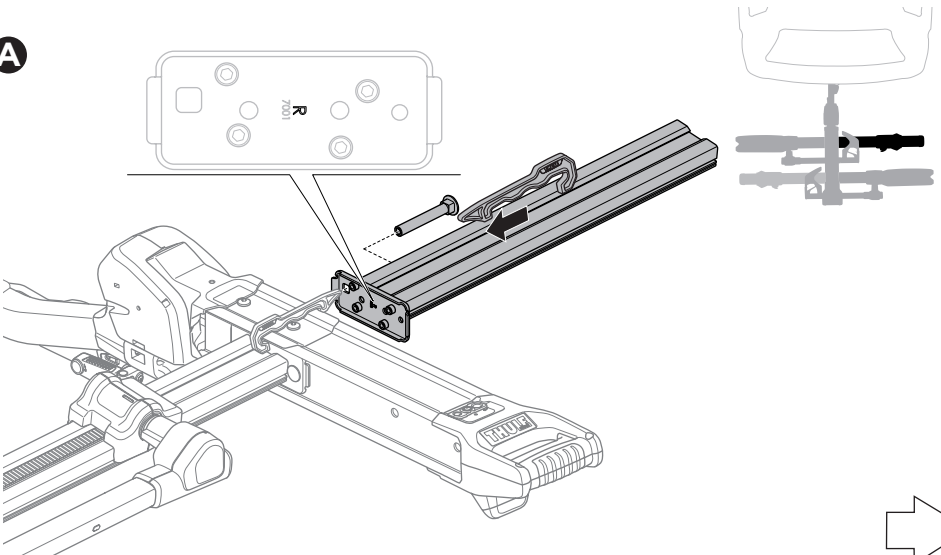
5




6

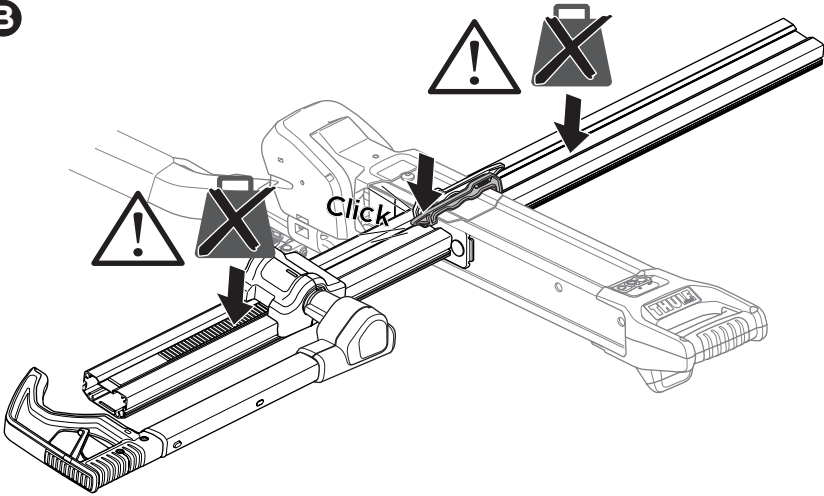


A





6

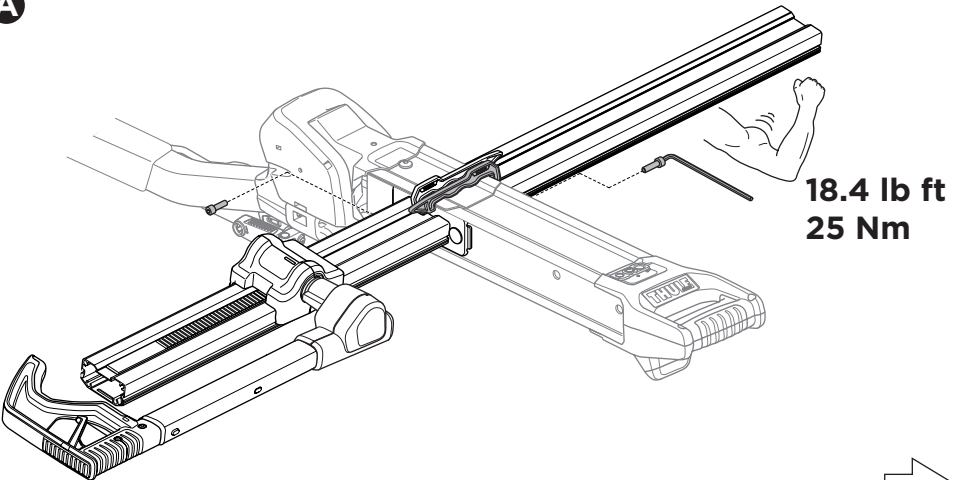
 **B**



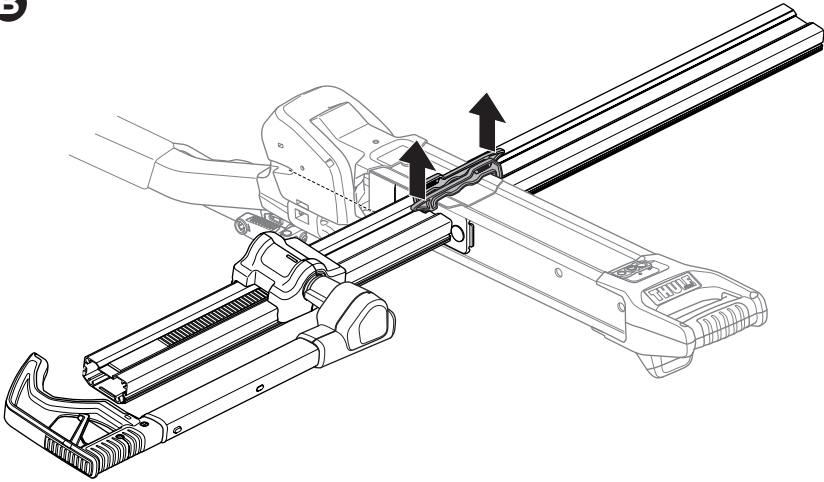
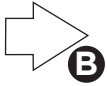
7

 x1  x2

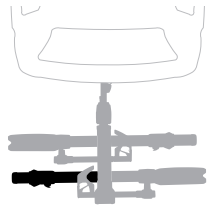
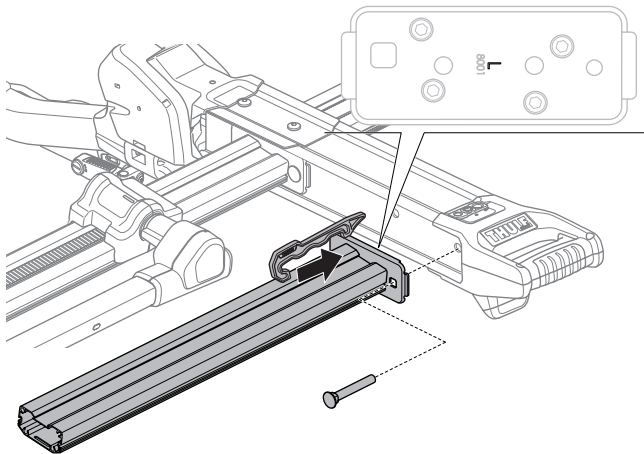
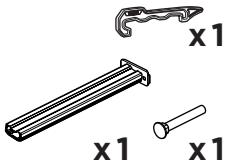
A



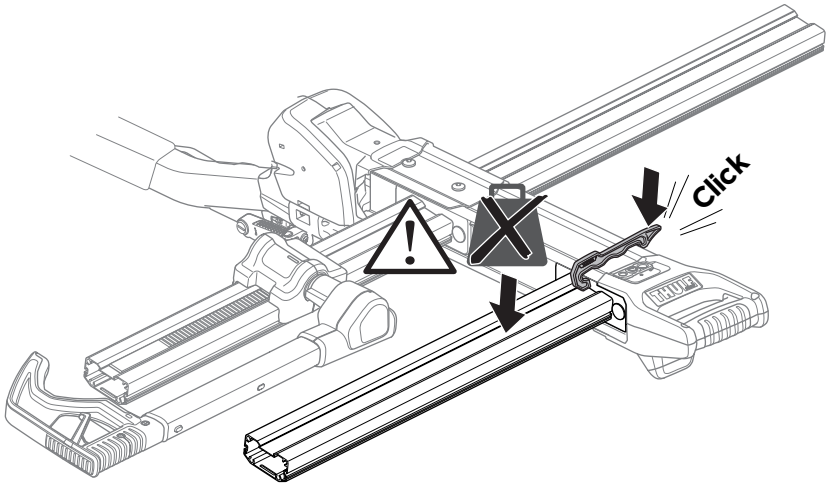
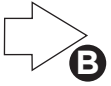
7



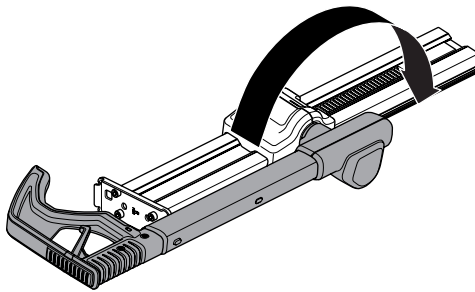
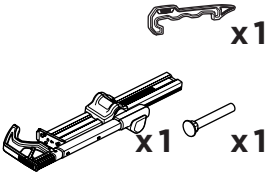
8



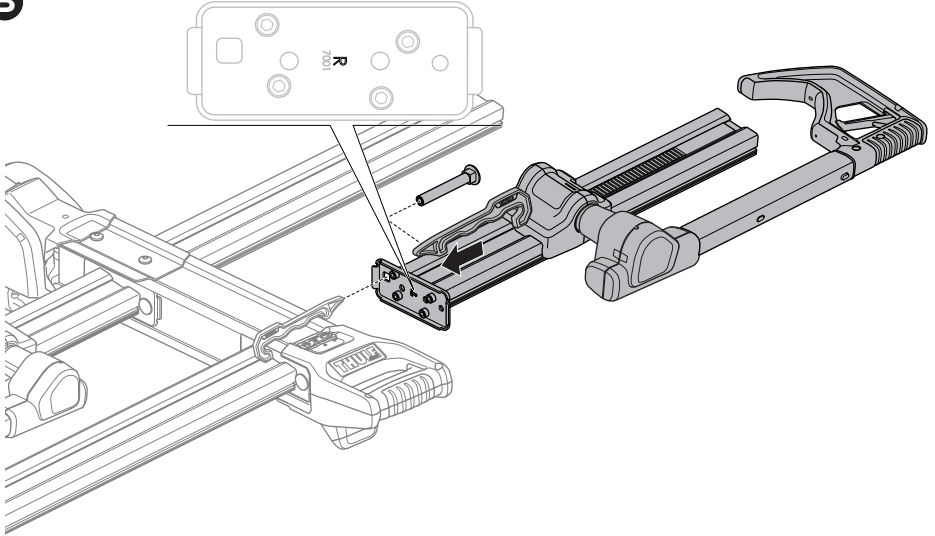
8



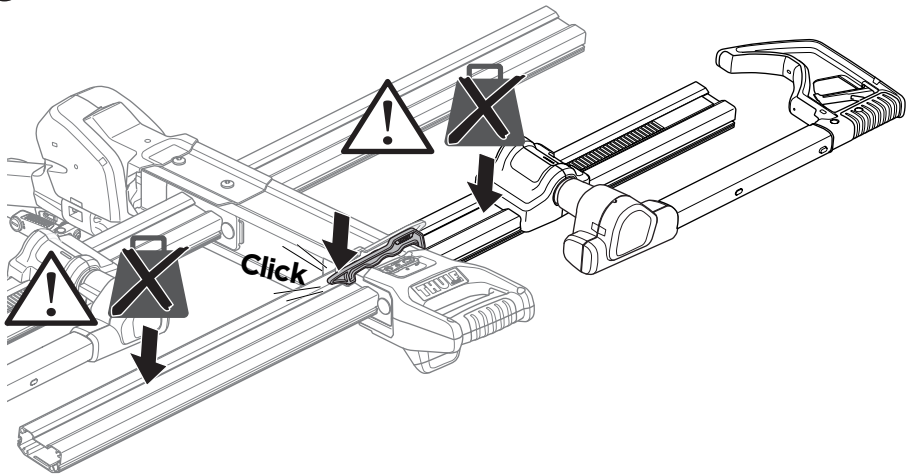
9

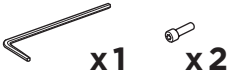


B

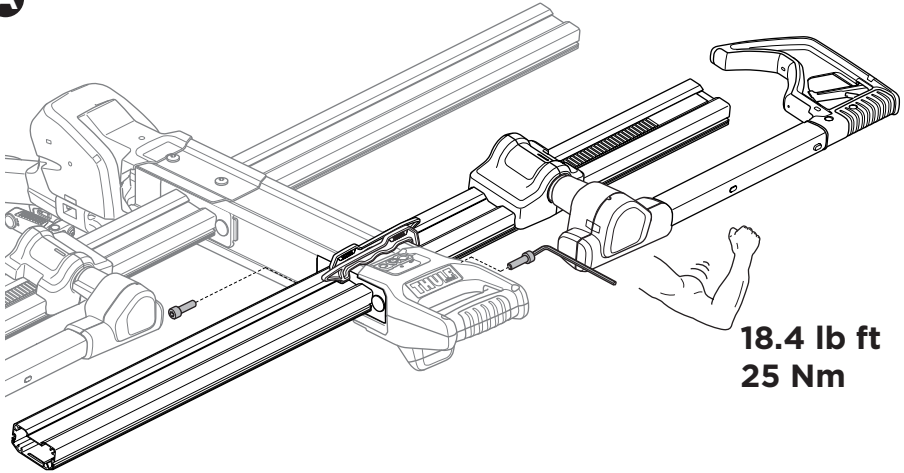


C

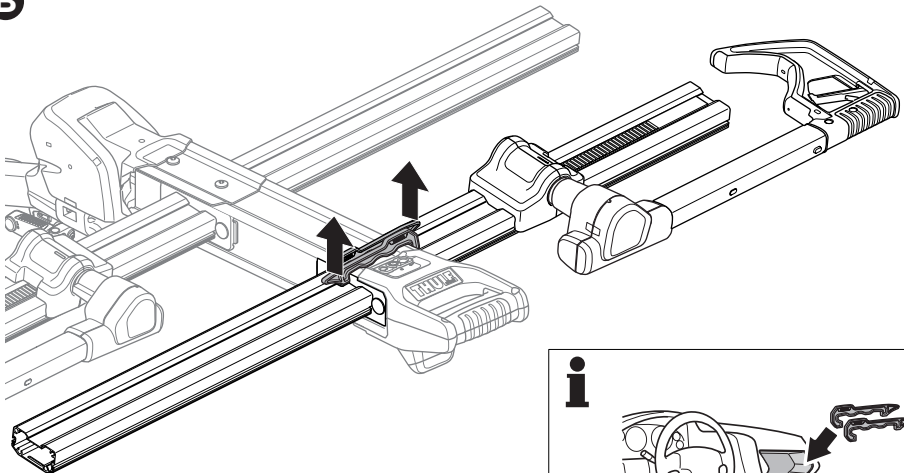


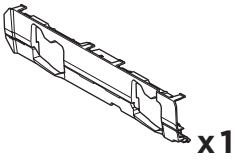
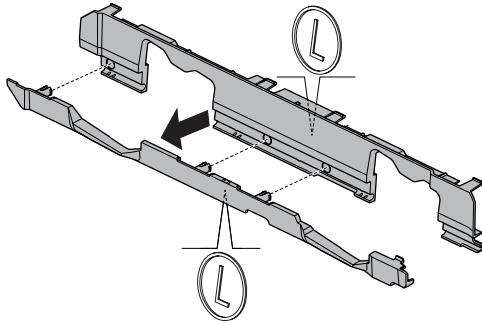
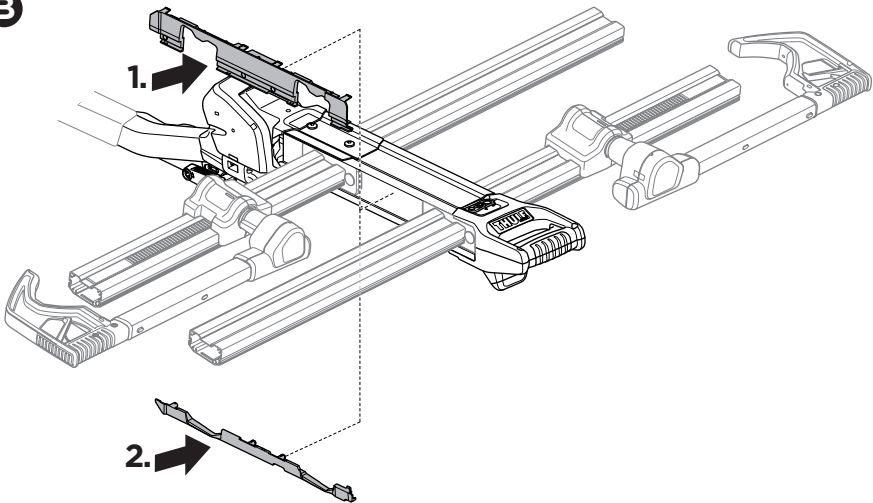


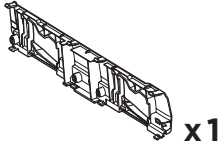
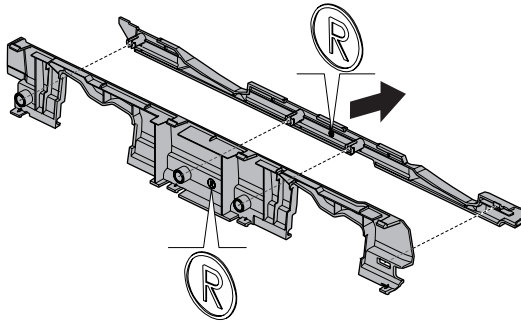
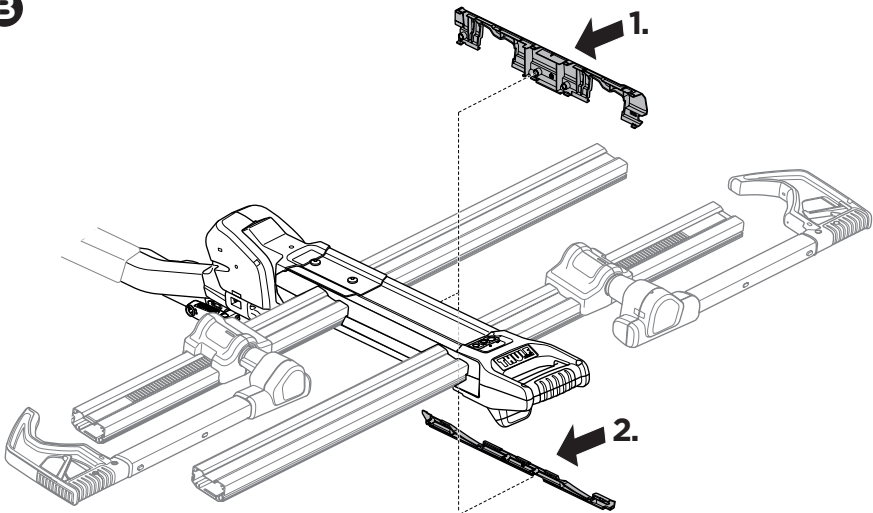
A



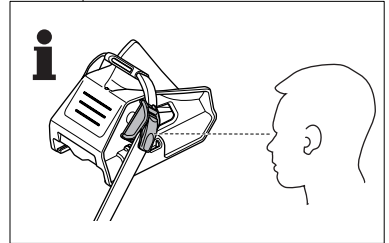
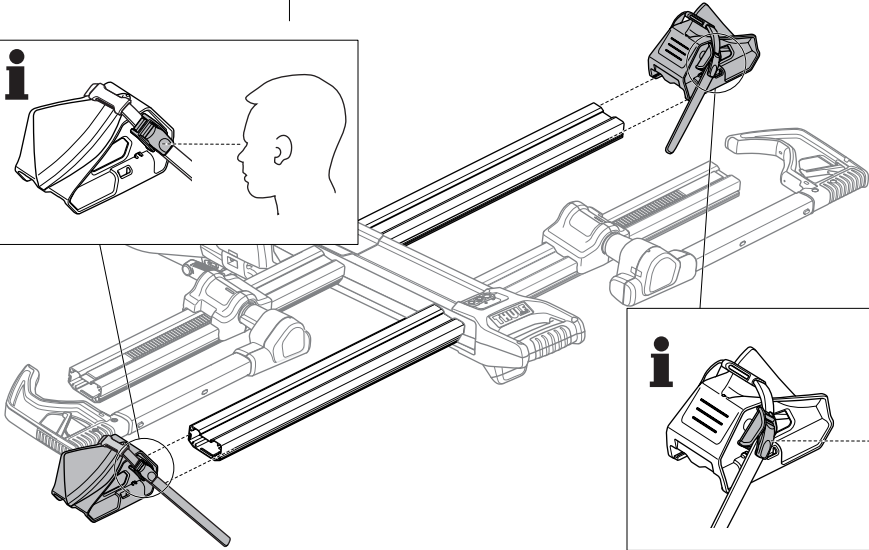
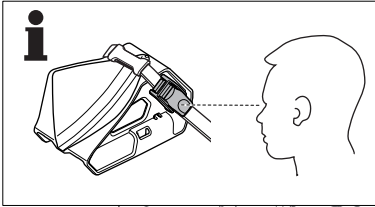
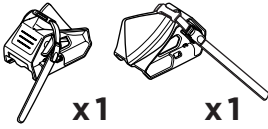
B



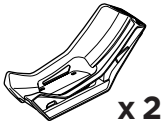
**A****B**

**A****B**

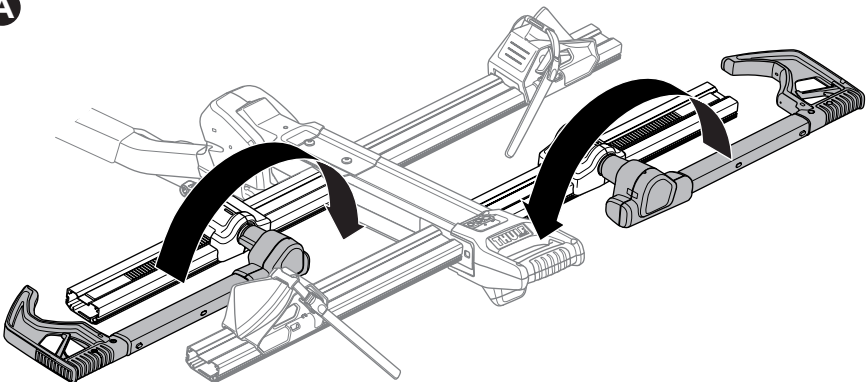
13



14

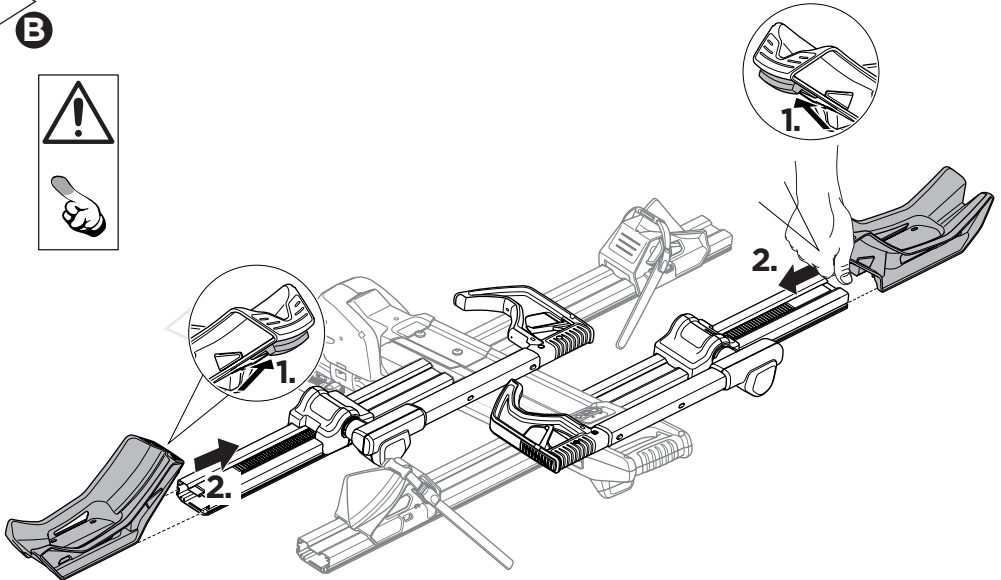


A



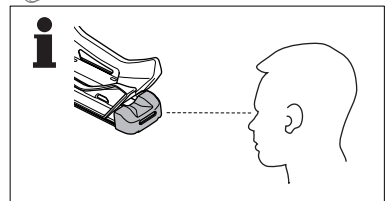
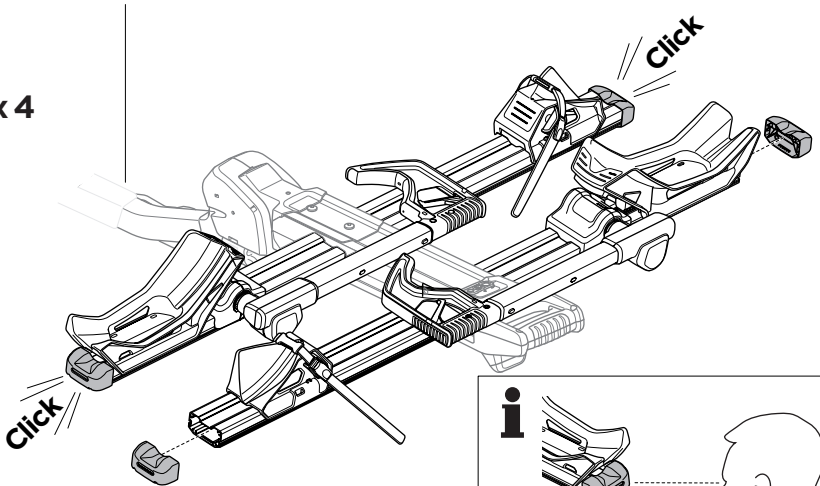
14

B



15

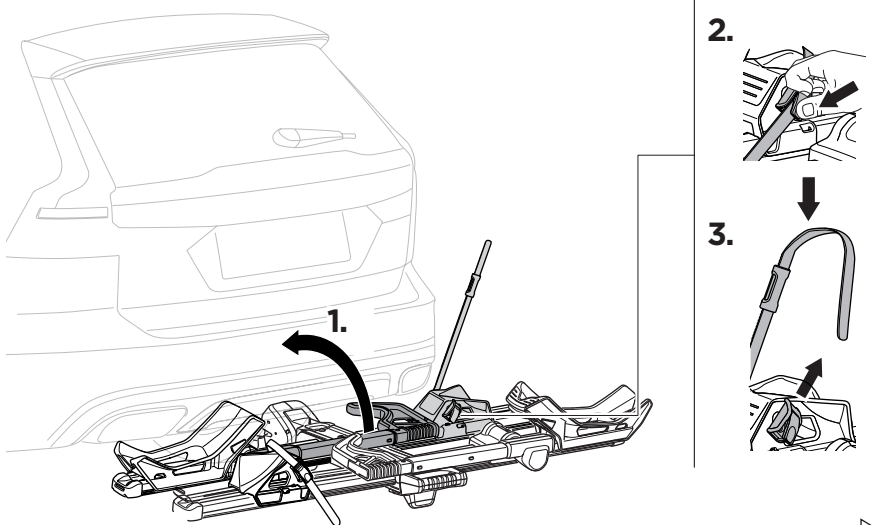
 x 4

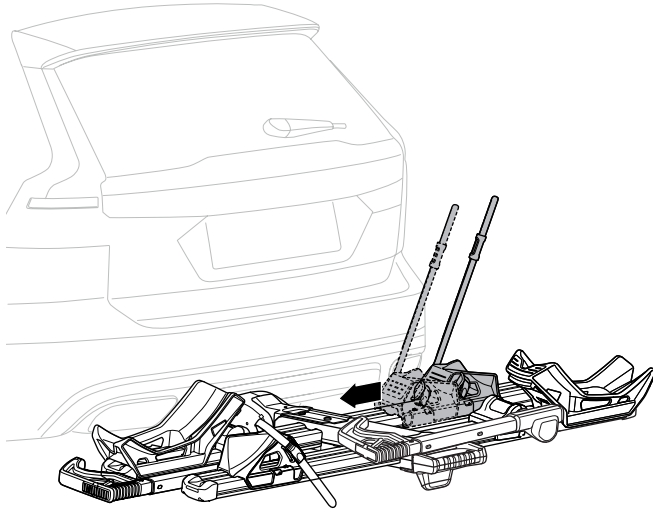
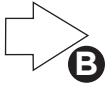




16

A

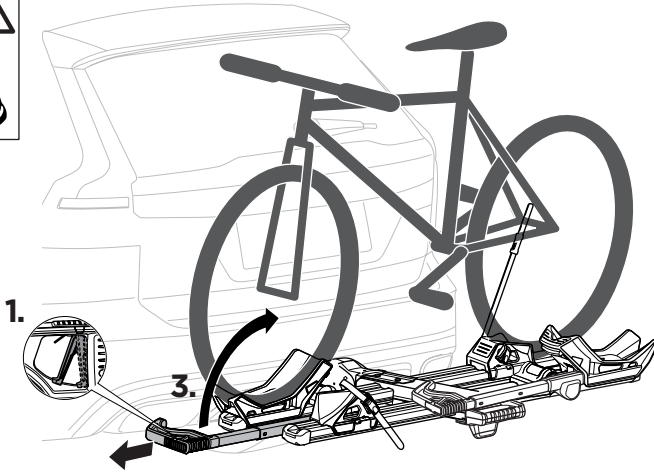




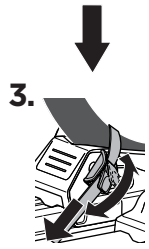
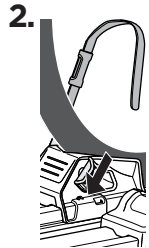
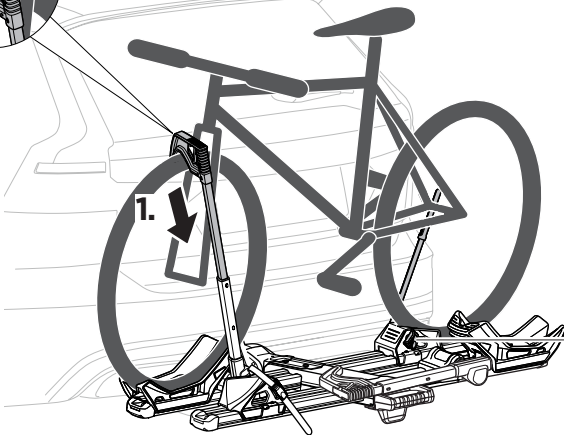
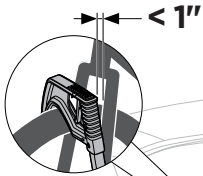
C

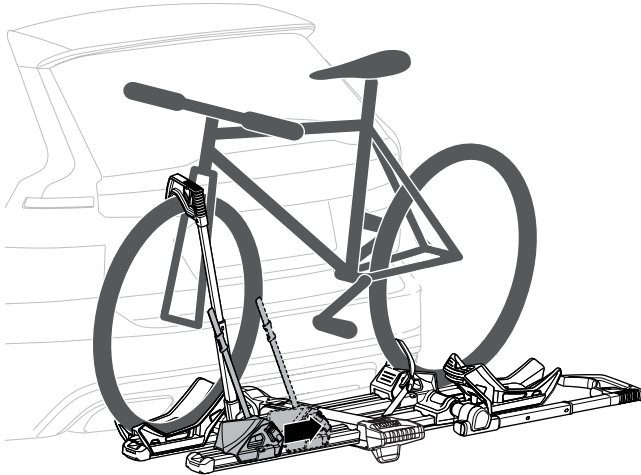
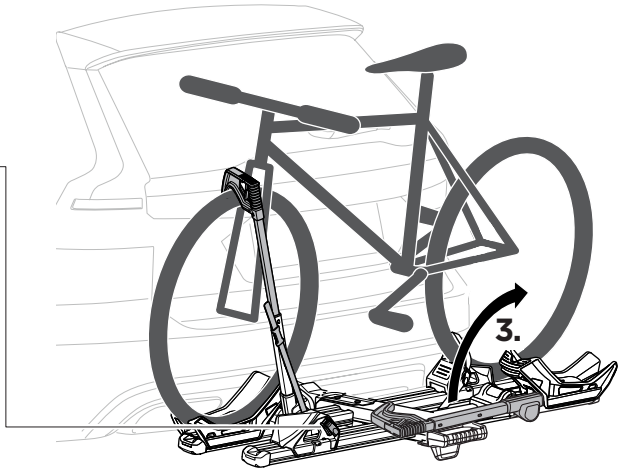
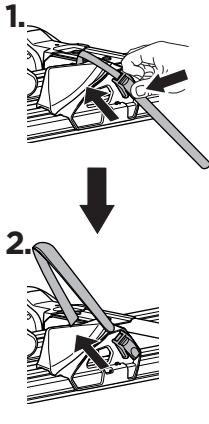
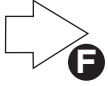


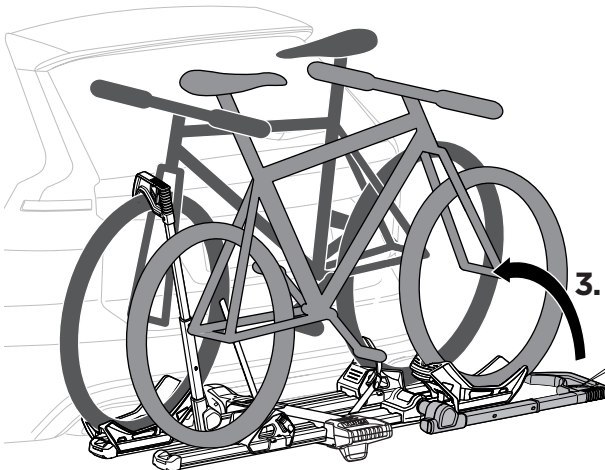
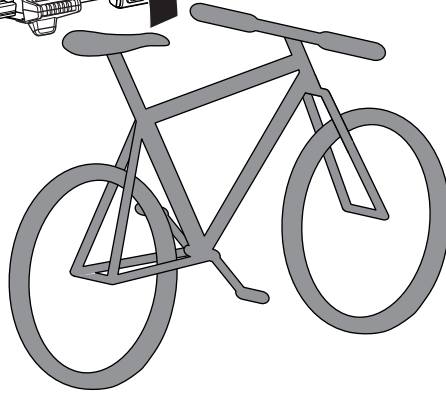
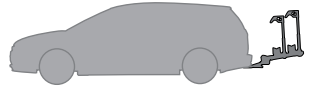
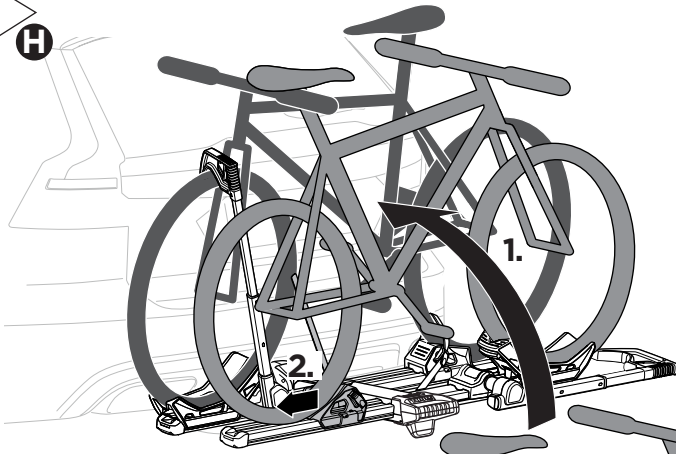
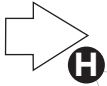
➔ **D**



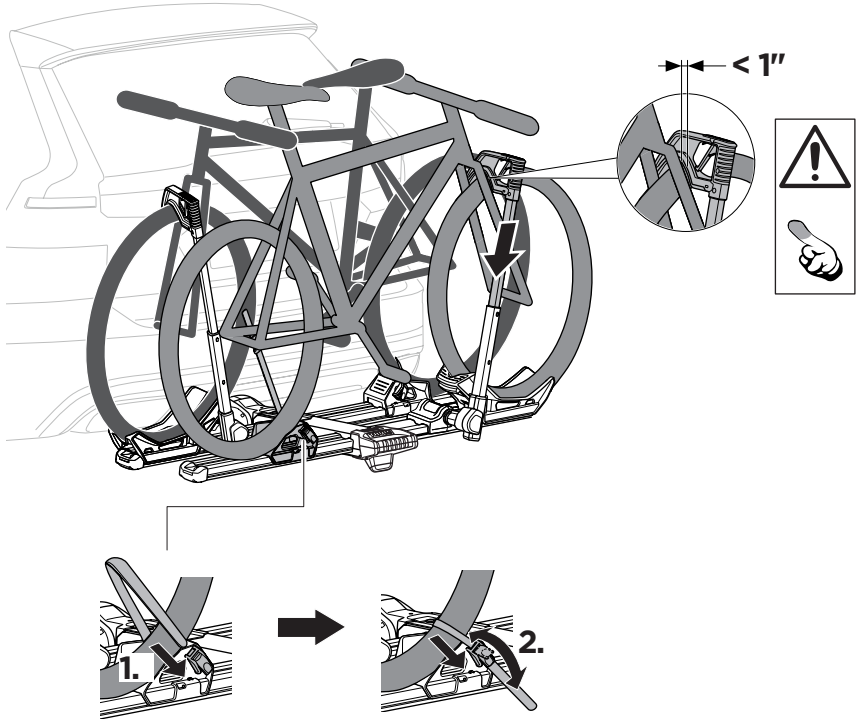
E



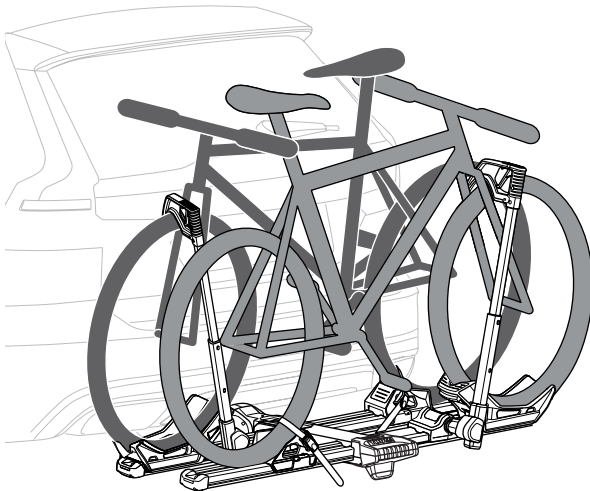




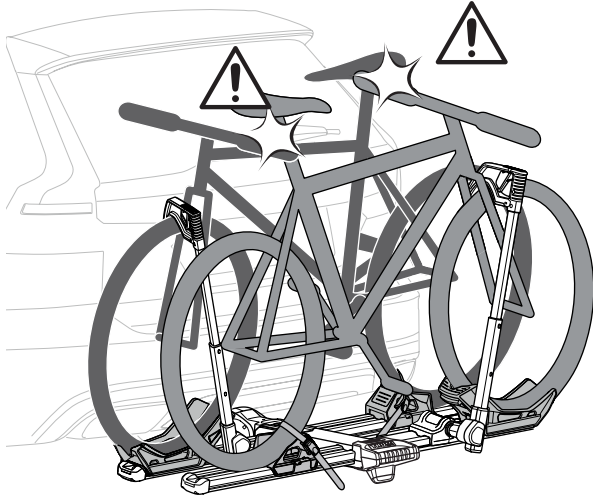
➔ **J**



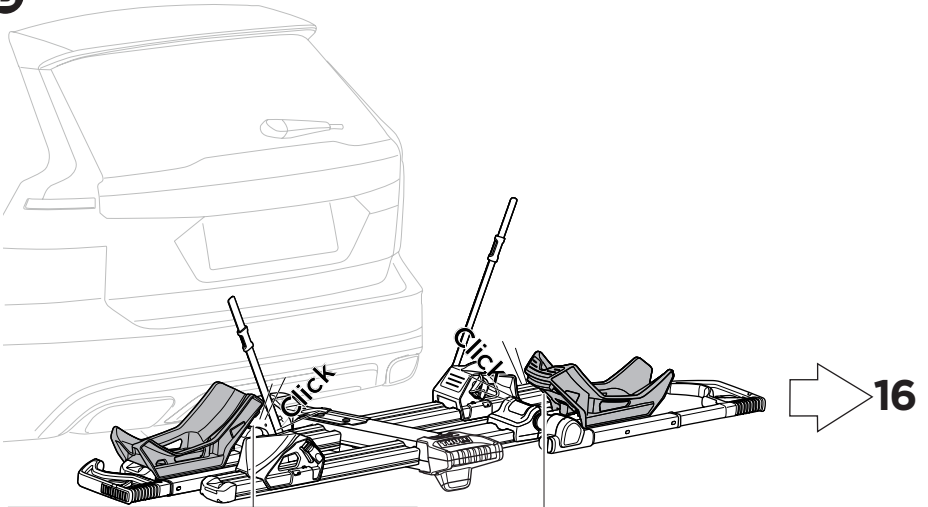
K



A



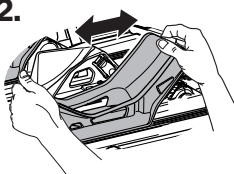
B



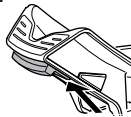
1.



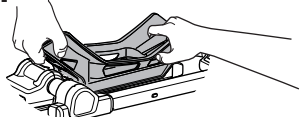
2.

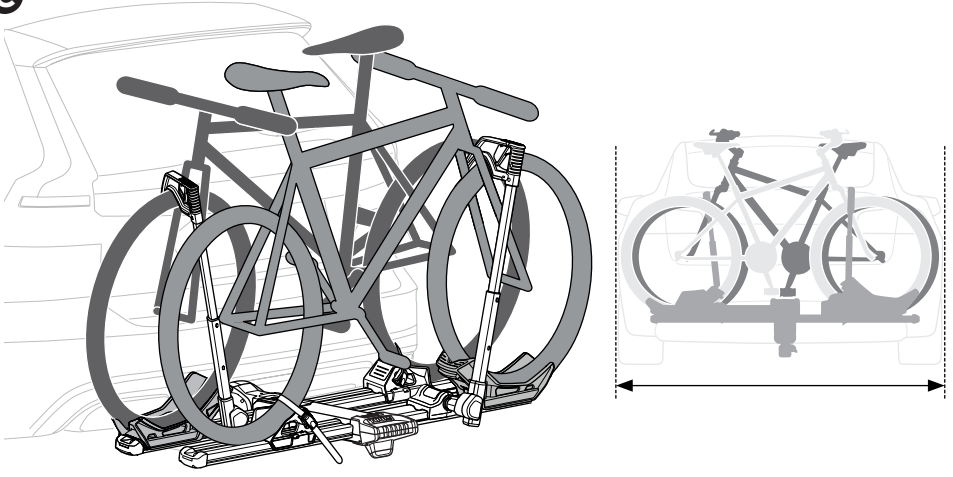
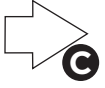


3.

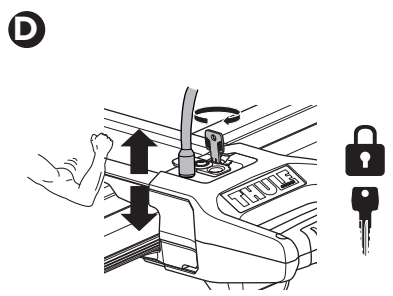
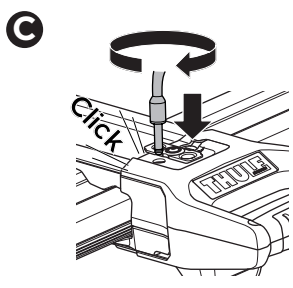
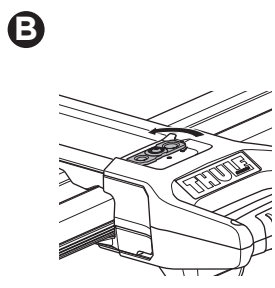
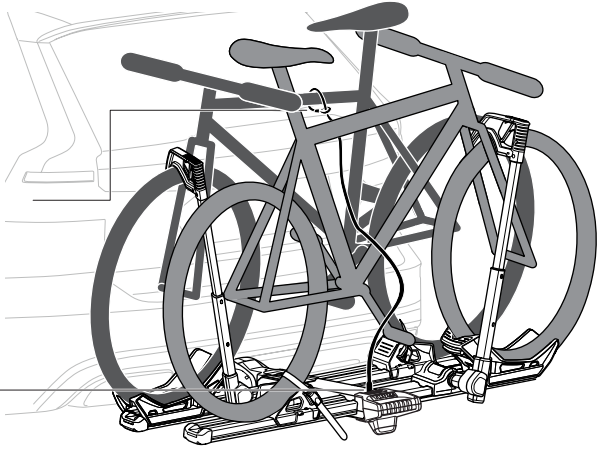
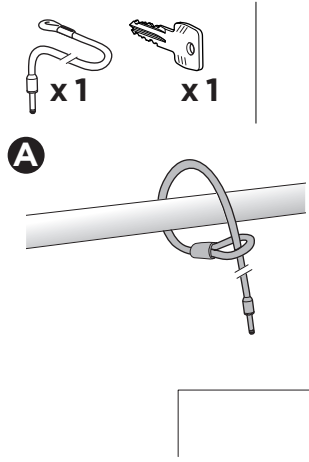


4.

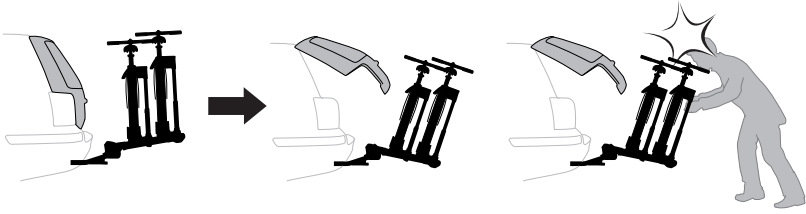
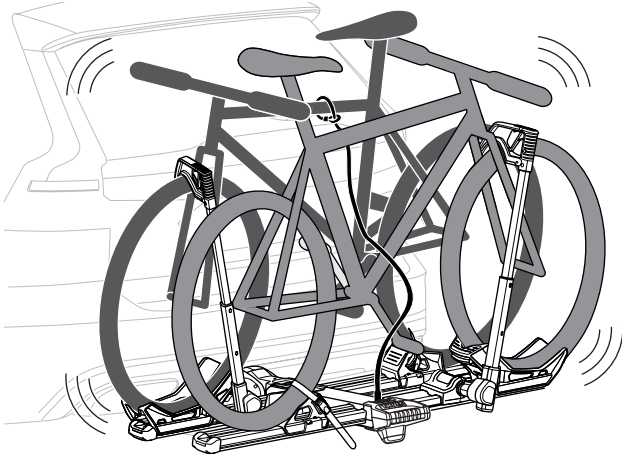




17

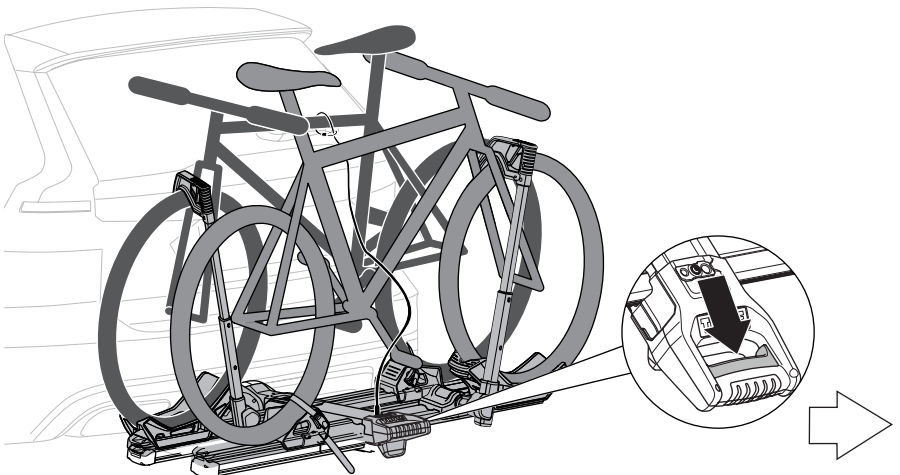


i



i

A



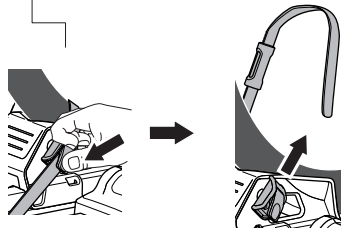
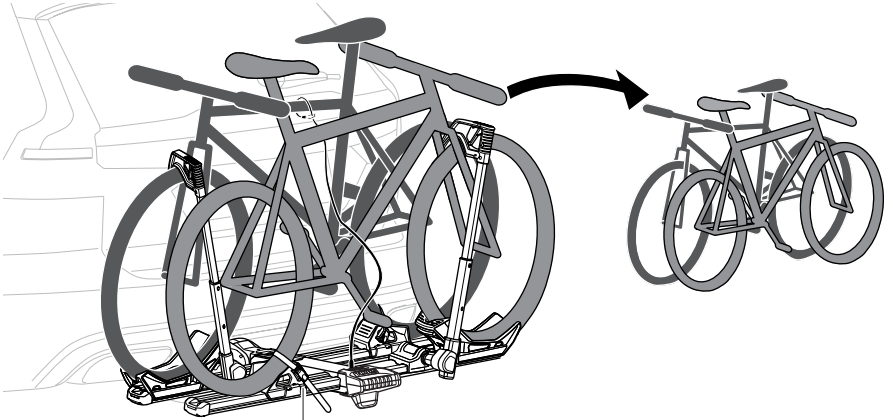
i

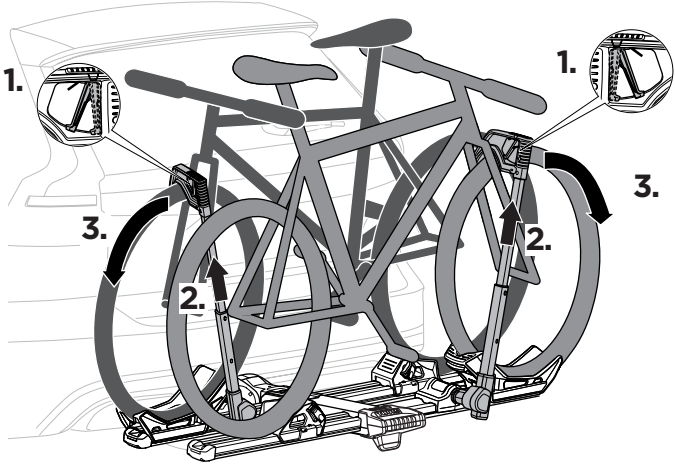
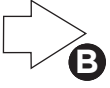
➔ B



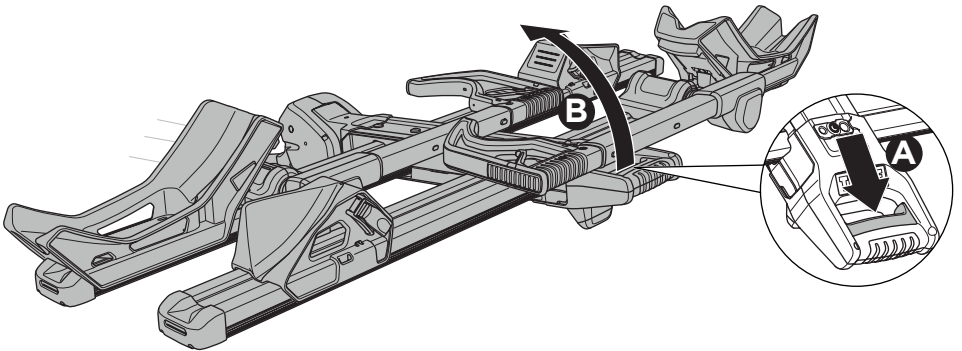
i

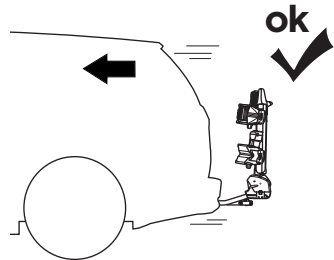
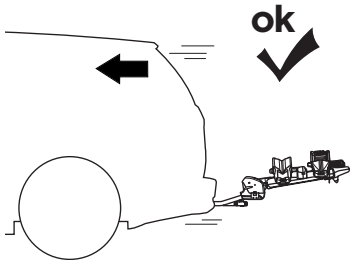
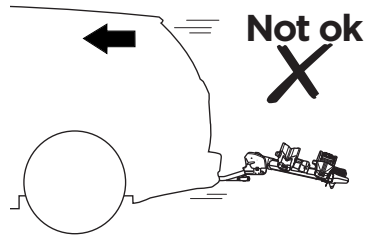
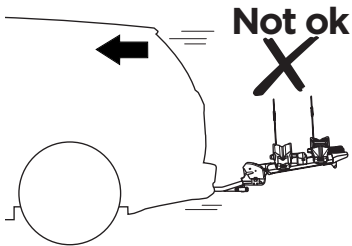
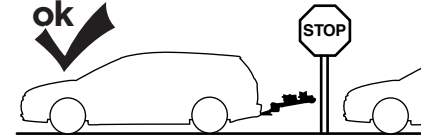
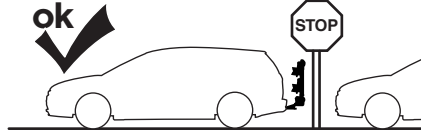
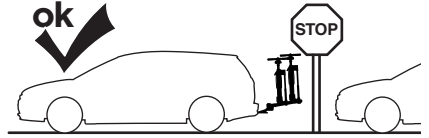
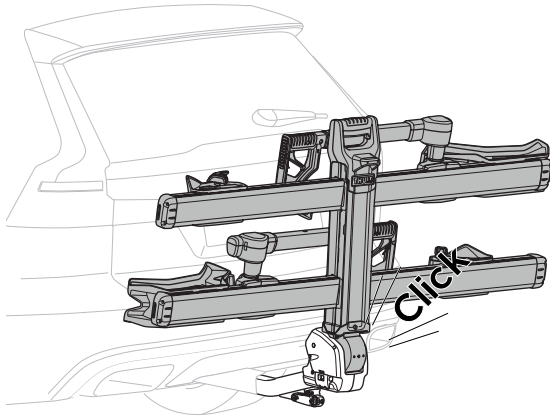
A

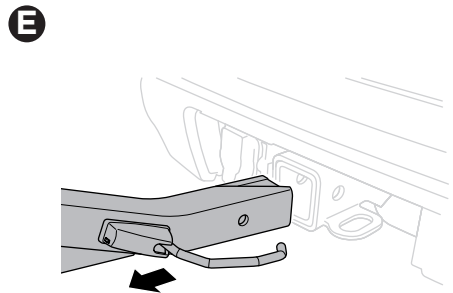
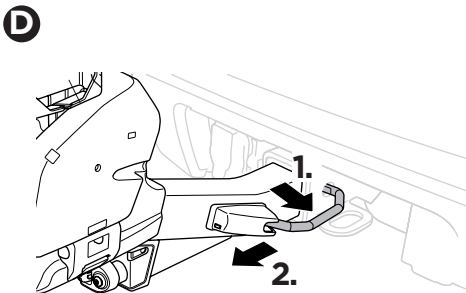
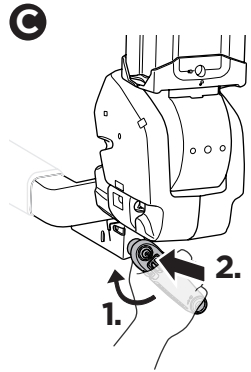
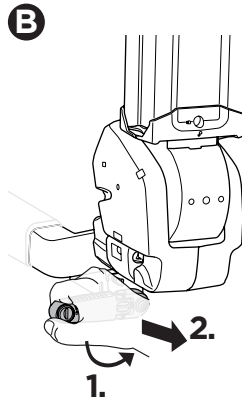
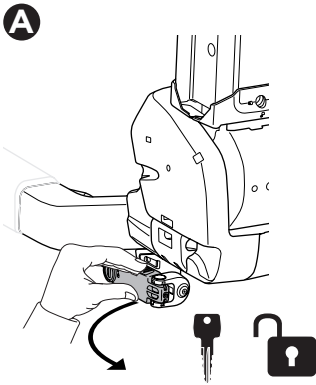
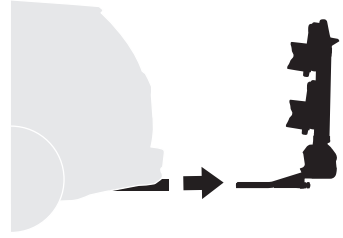
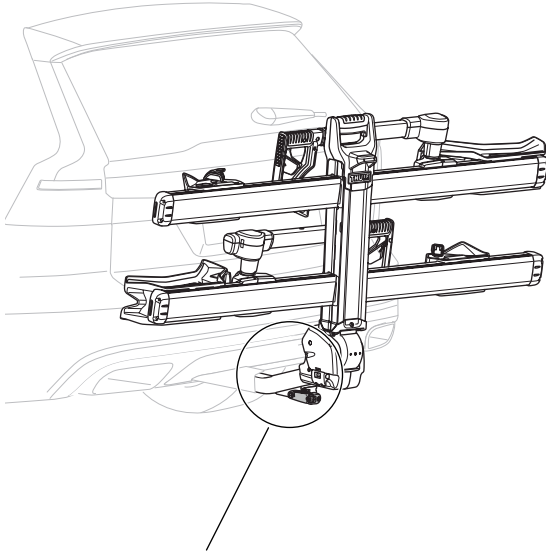




18



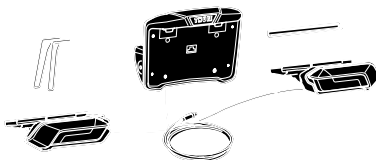




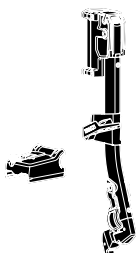
Thule Verse 2-bike add-on
903651



Thule lights and license plate kit
903670



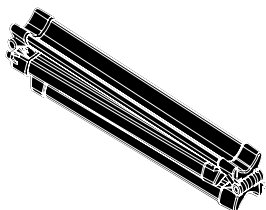
Thule Verse bike repair holder
903680



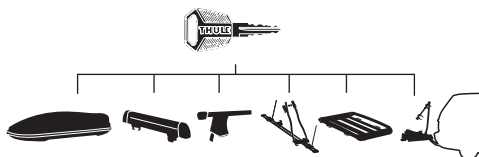
Thule transport wheels
903690



Thule loading ramp foldable
933410



Thule One-Key System



450200  (x2)

450400  (x4)

450600  (x6)

450800  (x8)

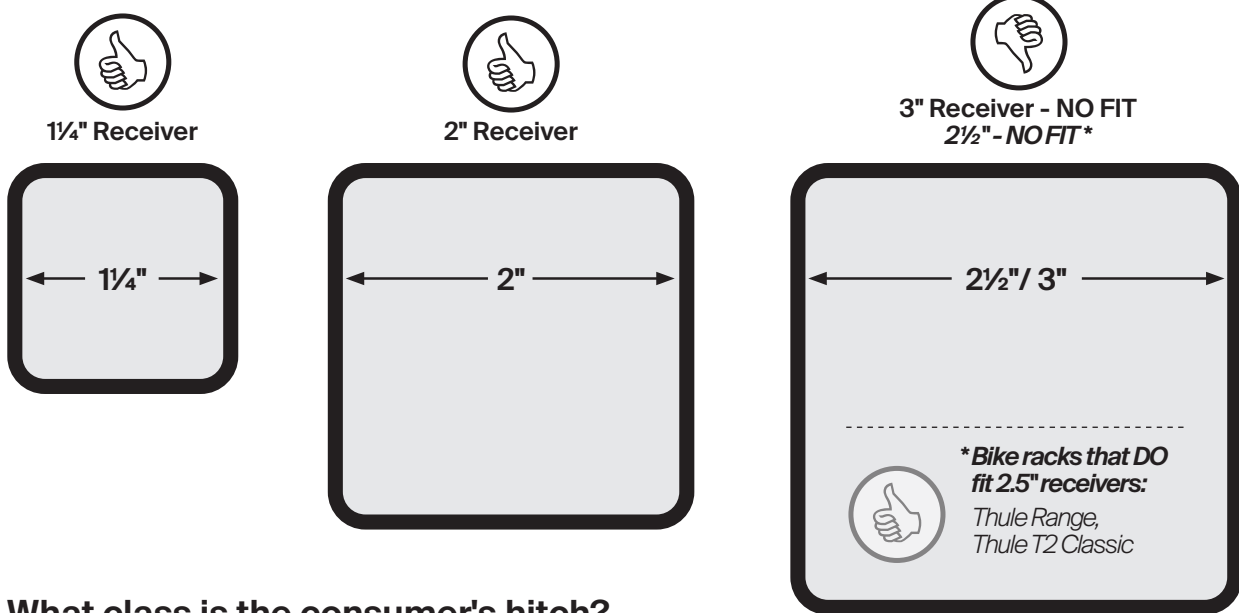


Thule Sweden AB
Borggatan 5
335 73 Hillerstorp, Sweden
info@thule.com
www.thule.com

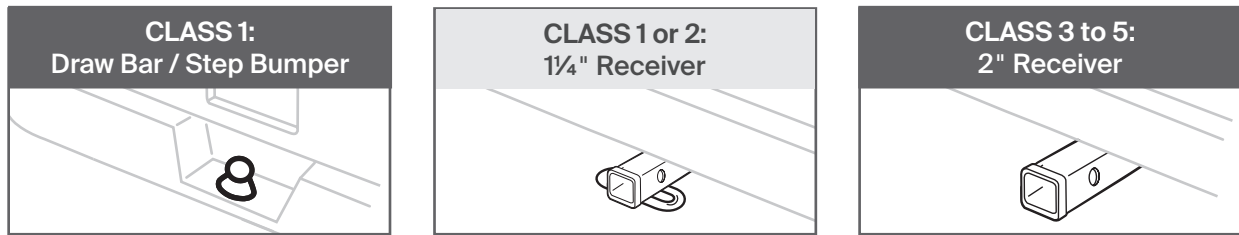
Register online at
www.thule.com/register

Technical information

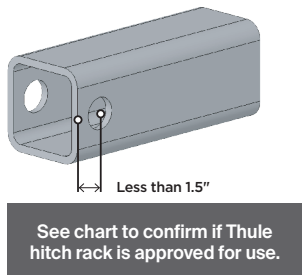
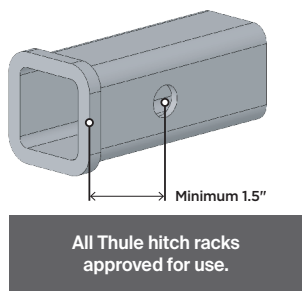
What size is the consumer's hitch?



What class is the consumer's hitch?



Consumer's hitch pin hole depth?



| | Hitch Rack | Pin Hole Depth Requirement |
|-----------------|----------------------|----------------------------|
| HANGING | Apex XT Swing | |
| | 9027XT | 1.5" |
| | Helium Pro | |
| | 9042Pro | 1.5" |
| | 9043Pro | 1.5" |
| | Apex XT | |
| | 9024XT | 1.5" |
| | 9025XT | 1.5" |
| | 9026XT | 1.5" |
| | Camber | |
| | 9056/9058 | 1.5" |
| | Range | |
| | 9057 | 1.5" |
| | ReVert | |
| 9024500 (4B_2") | 1.5" | |
| 9026500 (6B_2") | 1.5" | |

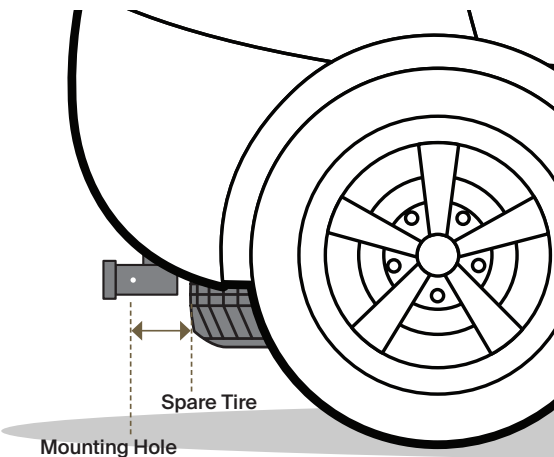
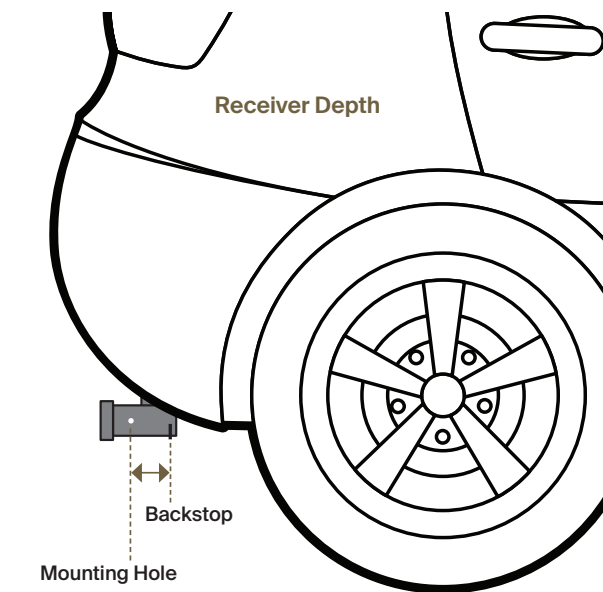
| | Hitch Rack | Pin Hole Depth Requirement |
|-----------------|---------------------------|----------------------------|
| PLATFORM | T2 Pro XT/XTR | |
| | 9034XT / 9034XTR | 1.125" |
| | 9035XT / 9035XTR | 1.5" |
| | 9034XT/XTR + 9036XT | 1.5" |
| | Verse | |
| | 903452 | 1.5" |
| | 903453 | 1.5" |
| | 903452 + 903651 | 1.5" |
| | Epos | |
| | 903210 / 903211 | 1.5" |
| | 903310 | 1.5" |
| | Helium Platform XT | |
| | 903901/904011 | 1.5" |
| | T2 Pro X | |
| | 904450 | 1.125" |
| | 904550 | 1.5" |
| | 904450 + 904650 | 1.5" |
| | T1 | |
| | 9041 | 1.5" |
| | Doubletrack Pro XT | |
| | 905402 | 1.5" |
| | EasyFold XT | |
| | 903202 | 1.5" |
| | OutPace | |
| 9012500 | 1.5" | |
| 9013500 | 1.5" | |

Consumer's hitch receiver depth?

To ensure proper fit, it's important to know the depth of your receiver. Determine this by doing the following:

- With a ruler inserted in the receiver, measure from the center of the hitch mounting hole to the point where you make contact with an obstacle. **This is your receiver depth.**
- If you do not contact a back-stop or your hitch receiver does not have a backstop, another potential point of contact could be an undercarriage-mounted spare tire or the undercarriage itself.
- Using the table in the next page, compare your measurement to see which hitch racks will work with your vehicle.

Your receiver depth must be equal to or greater than the product measurement listed in the table for a proper fit.



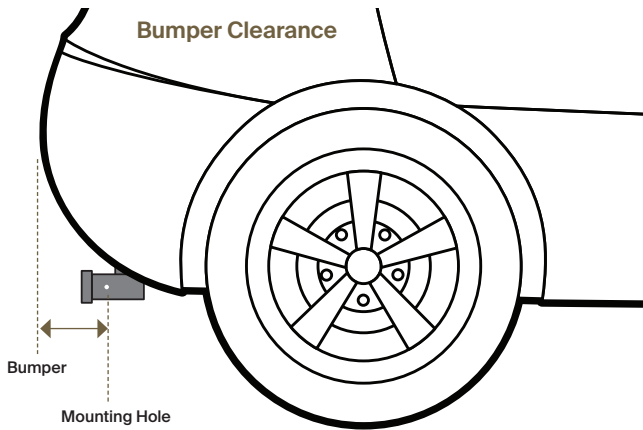
| | Hitch Rack | Receiver Depth |
|---------------------------|---------------------------|----------------|
| PLATFORM | EasyFold XT | |
| | 903202 | 1.4" |
| | Helium Platform XT | |
| | 903901 | 2.3" |
| | 904011 | 2.3" |
| | T2 Pro XT/XTR | |
| | 9034XT/9034XTR | 2.5" |
| | 9035XT/9035XTR | 1.4" |
| | 9034XT/XTR + 9036XT | 2.5" |
| | Verse | |
| | 903452 | 2.55" |
| | 903453 | 1.9" |
| | 903452 + 903651 | 2.55" |
| | T2 Pro X | |
| | 904450 | 2.5" |
| | 904550 | 1.4" |
| 904450 + 904650 | 2.5" | |
| Epos | | |
| 903210 / 903211 | 2" | |
| 903310 | 2" | |
| T1 | | |
| 9041 | 1.5" | |
| DoubleTrack Pro XT | | |
| 905402 | 1.5" | |
| OutPace | | |
| 9012500 | 2" | |
| 9013500 | 2" | |
| HANGING | Apex XT Swing | |
| | 9027XT | 2.5" |
| | Helium Pro | |
| | 9042PRO, 9043PRO | 1.4" |
| | Apex XT | |
| | 9024XT | 1.4" |
| | 9025XT | 1.4" |
| | 9026XT | 1.4" |
| | Camber | |
| | 9058/9056 | 1.5" |
| | Range | |
| | 9057 | 2.4" |
| ReVert | | |
| 9024500 (4B_2") | 2.55" | |
| 9026500 (6B_2") | 2.55" | |

Technical information

Consumer's hitch bumper clearance?

Make sure your bumper will not interfere with the Thule hitch rack. Measure the distance from the center of the mounting hole on your hitch to the end of your bumper. *This is your bumper clearance.*

Your bumper clearance must be equal to or less than the product measurement listed in the table for a proper fit.



| | Hitch Rack | Stowed Spare Tire Clearance | In-Use Spare Tire Clearance |
|---------------------------|---------------------------|-----------------------------|-----------------------------|
| PLATFORM | EasyFold XT | | |
| | 903202 | 12.0" | 12.0" |
| | T2 Pro XT/XTR | | |
| | 9034XT/9034XTR | 6.3" | 20.5" |
| | 9035XT/9035XTR | 6.3" | 20.5" |
| | 9034XT/XTR + 9036XT | 6.3" | 20.5" |
| | Verse | | |
| | 903452 | 8.0" | 18.7" |
| | 903453 | 8.0" | 18.7" |
| | 903452 + 903651 | 8.0" | 18.7" |
| | Helium Platform XT | | |
| | 903901 | N/A | 11.0" |
| | 904011 | N/A | 11.0" |
| | T2 Pro X | | |
| | 904450 | 6.3" | 20.5" |
| | 904550 | 6.3" | 20.5" |
| | 904450 + 904650 | 6.3" | 20.5" |
| | Epos | | |
| | 903210 / 903211 | N/A | 9.5" |
| | 903310 | N/A | 9.5" |
| T1 | | | |
| 9041 | 6.0" | 19.3" | |
| DoubleTrack Pro XT | | | |
| 9054/905402 | 6.0" | 6.0" | |
| OutPace | | | |
| 9012500 | 4.3" | 9.4" | |
| 9013500 | 4.3" | 9.4" | |
| HANGING | Apex XT Swing | | |
| | 9027XT | 8.8" | 8.8" |
| | Helium Pro | | |
| | 9042Pro/9043Pro | 13.3" | 13.3" |
| | Apex XT | | |
| | 9024XT | 10.3" | 10.3" |
| | 9025XT | 10.3" | 10.3" |
| | 9026XT | 10.3" | 10.3" |
| | Camber | | |
| | 9058/9056 | 7.3" | 7.3" |
| | Range | | |
| | 9057 | 6.9" | 6.9" |
| | ReVert | | |
| | 9024500 (4B_2") | 12.9" | N/A |
| | 9026500 (6B_2") | 12.9" | N/A |

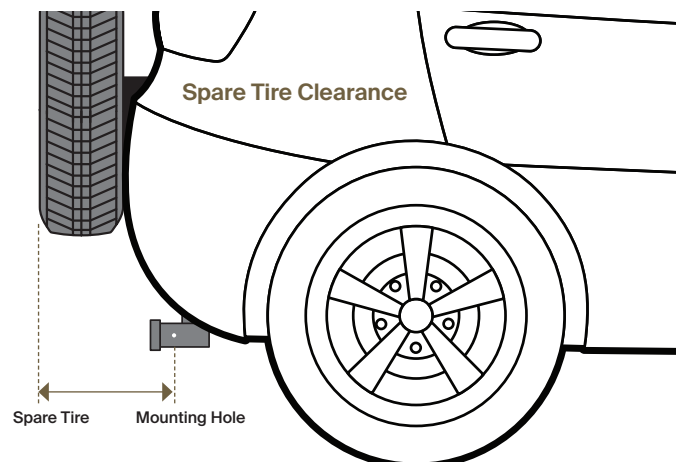
| | Hitch Rack | Bumper Clearance |
|---------------------------|---------------------------|------------------|
| PLATFORM | EasyFold XT | |
| | 903202 | 9.5" |
| | T2 Pro XT/XTR | |
| | 9034XT/9034XTR | 6.3" |
| | 9035XT/9035XTR | 6.3" |
| | 9034XT/XTR + 9036XT | 6.3" |
| | Verse | |
| | 903452 | 10.5" |
| | 903453 | 10.5" |
| | 903452 + 903651 | 10.5" |
| | Helium Platform XT | |
| | 903901 | 3" |
| | 904011 | 3" |
| | T2 Pro X | |
| | 904450 | 6.3" |
| | 904550 | 6.3" |
| | 904450 + 904650 | 6.3" |
| | Epos | |
| | 903210 / 903211 | 6.3" |
| | 903310 | 6.3" |
| T1 | | |
| 9041 | 6.5" | |
| DoubleTrack Pro XT | | |
| 9054/905402 | 6.0" | |
| OutPace | | |
| 9012500 | 6.5" | |
| 9013500 | 6.5" | |
| HANGING | Apex XT Swing | |
| | 9027XT | 7.3" |
| | Helium Pro | |
| | 9042Pro/9043Pro | 10.8" |
| | Apex XT | |
| | 9024XT | 7.0" |
| | 9025XT | 7.0" |
| | 9026XT | 7.0" |
| | Camber | |
| | 9058/9056 | 5.3" |
| | Range | |
| | 9057 | 5.4" |
| | ReVert | |
| | 9024500 (4B_2") | 12.9" |
| | 9026500 (6B_2") | 12.9" |

Consumer's spare tire clearance?

If you have a spare tire on the back of your vehicle it may interfere with the installation of your Thule hitch rack. Measure the distance from the center of the mounting hole on your hitch receiver to the end of your spare tire.

This is your spare tire clearance.

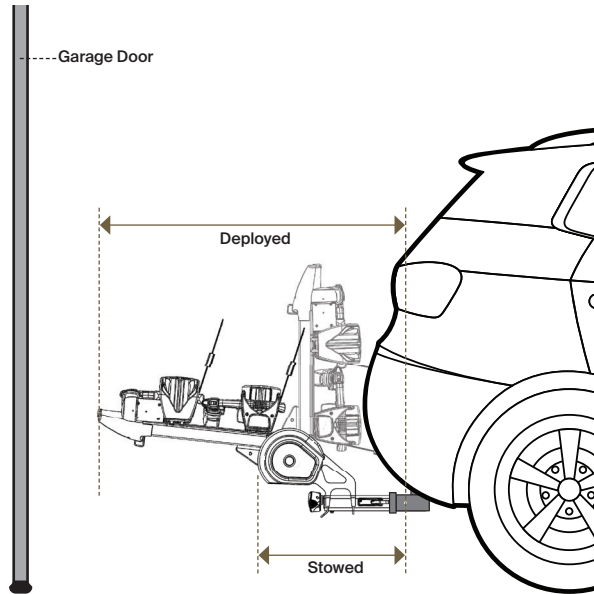
Your spare tire clearance must be equal to or less than the product measurement listed in the table for a proper fit.



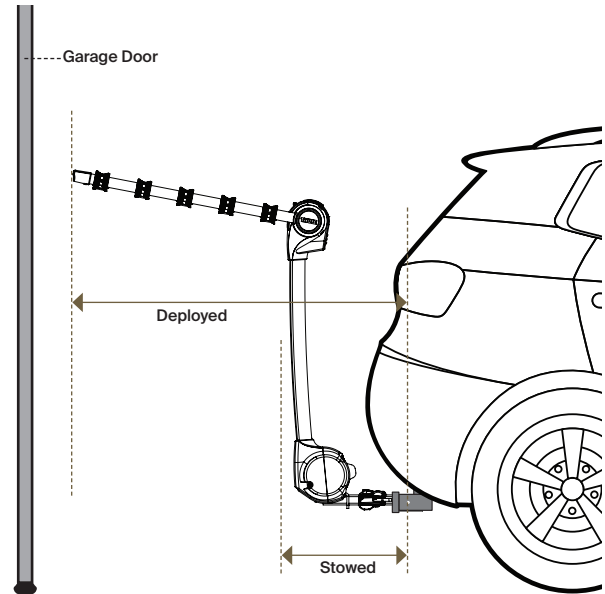
Consumer's garage clearance?

If you will be parking your vehicle in a garage with the rack mounted, you can use these measurements to help you determine if there will be any interference issues with fitting your vehicle into your garage space with the rack in the stowed position or deployed position.

Garage Clearance – Platform Models



Garage Clearance – Swing & Tilt Models



| PLATFORM | Hitch Rack | Stowed Clearance | Deployed Clearance |
|---------------------------|---------------------------|------------------|--------------------|
| | T2 Pro XT/XTR | | |
| | 9034XT/9034XTR | 20.5" | 41.5" |
| | 9035XT/9035XTR | 20.5" | 41.5" |
| | 9034XT/XTR + 9036XT | 20.5" | 60.1" |
| | Verse | | |
| | 903452 | 21.6" | 42.7" |
| | 903453 | 21.6" | 42.7" |
| | 903452 + 903651 | 21.6" | 65.2" |
| | T1 | | |
| | 9041 | 14.3" | 28.5" |
| | T2 Pro X | | |
| | 904450 | 20.5" | 41.5" |
| | 904550 | 20.5" | 41.5" |
| | 904450 + 904650 | 20.5" | 60.1" |
| | Epos | | |
| | 903210 / 903211 | N/A | 33.7" |
| | 903310 | N/A | 43.5" |
| | DoubleTrack Pro XT | | |
| | 9054/905402 | 14.5" | 33" |
| Helium Platform XT | | | |
| 903901 | 13.5" | 20.8" | |
| 904011 | 13.5" | 30.7" | |
| EasyFold XT | | | |
| 903202 | 32" | 32" | |
| OutPace | | | |
| 9012500 | 13.2" | 30.3" | |
| 9013500 | 13.2" | 39" | |

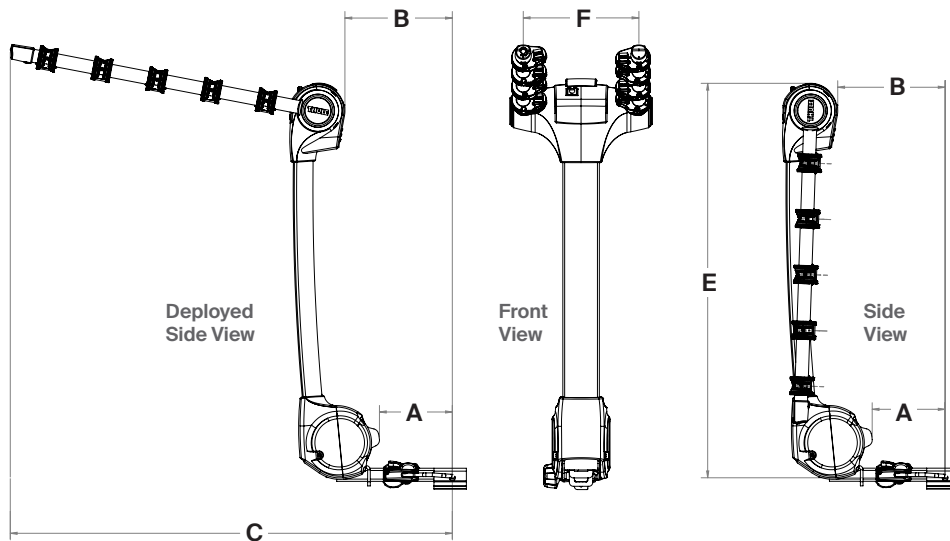
| HANGING | Hitch Rack | Stowed Clearance | Deployed Clearance |
|---------|----------------------|------------------|--------------------|
| | Helium Pro | | |
| | 9042PRO | 20.7" | 32.0" |
| | 9043PRO | 21.9" | 39.0" |
| | Apex XT | | |
| | 9024XT | 14.7" | 28.2" |
| | 9025XT | 14.7" | 38.1" |
| | 9026XT | 14.7" | 42.1" |
| | Camber | | |
| | 9058 | 14.8" | 28.3" |
| | 9056 | 14.8" | 42.2" |
| | Range | | |
| | 9057 | 14.4" | 42.0" |
| | Apex XT Swing | | |
| | 9027XT | 15.2" | 42.2" |
| | ReVert | | |
| | 9024500 (4B_2") | 27.5" | N/A |
| | 9026500 (6B_2") | 27.5" | N/A |

Technical information

Hitch dimensions

Though we design our hitch-mounted bike carriers to be as universal as possible, all vehicles are designed differently. These diagrams have been designed to help you better understand the “room” our hitch-mounted bike racks need to function properly.

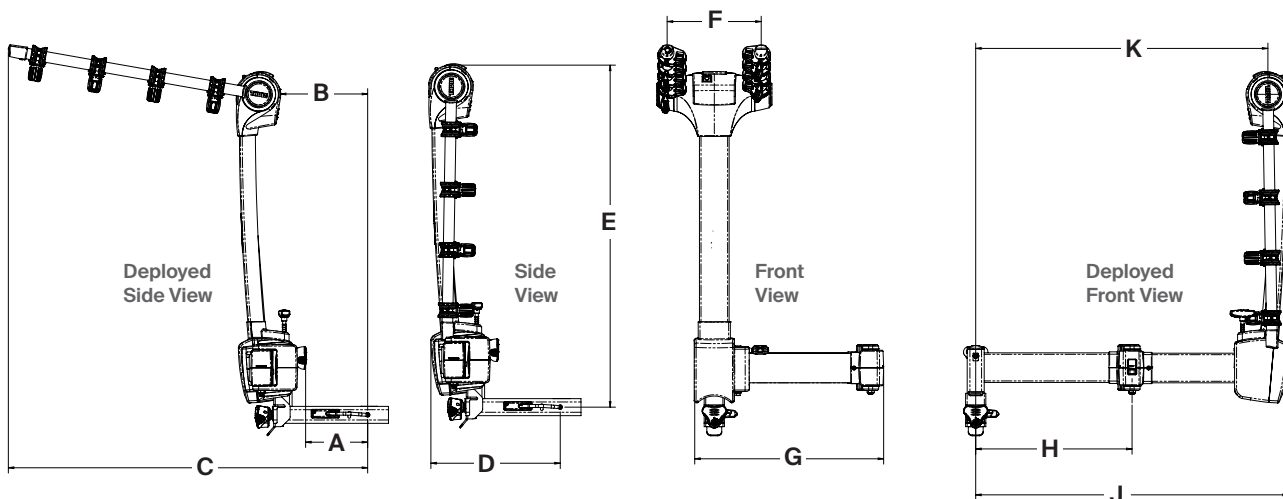
Tilt hitch racks



| MODEL | A | B | C | D | E | F |
|---------|-------|-------|-------|-------|-------|-----|
| 9042PRO | 10.8" | 13.2" | 32" | 20.7" | 37.3" | 11" |
| 9043PRO | 10.8" | 13.2" | 39" | 21.9" | 37.3" | 11" |
| 9024XT | 7" | 9.3" | 28.2" | 15.4" | 37" | 11" |
| 9025XT | 7" | 9.3" | 42.1" | 15.4" | 37" | 11" |
| 9026XT | 7" | 9.3" | 42.1" | 15.4" | 37" | 11" |

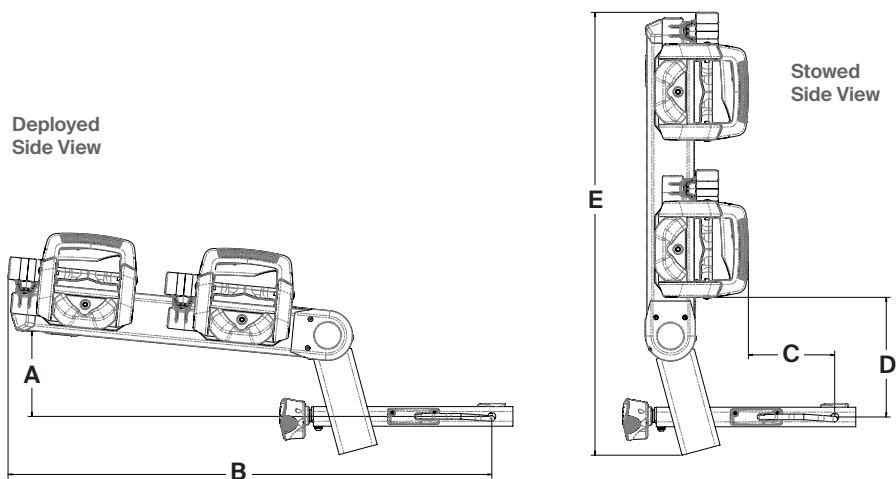
| MODEL | A | B | C | D | E | F |
|-------|------|------|-------|-------|-------|-----|
| 9058 | 5.3" | 6.7" | 28.3" | 14.8" | 35.6" | 11" |
| 9056 | 5.3" | 6.7" | 42.2" | 14.8" | 35.6" | 11" |
| 9057 | 8.5" | 6.3" | 42.1" | 14.8" | 35.6" | 11" |

Swing away hitch racks



| MODEL | A | B | C | D | E | F | G | H | J | K |
|--------|------|-------|-------|-------|-------|-------|-------|-------|-------|-------|
| 9027XT | 7.3" | 10.3" | 42.2" | 15.2" | 40.2" | 11.1" | 22.2" | 18.4" | 36.7" | 34.3" |

Platform hitch racks

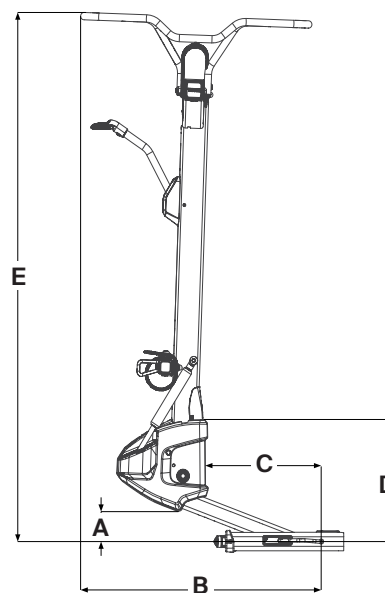


| MODEL | A | B | C | D | E |
|-----------------|-------|-------|------|-------|--------|
| 903901 | 4.4" | 21" | 5.6" | 8" | 18.5" |
| 904011 | 5" | 31" | 5.6" | 8" | 28" |
| 903202 | 6" | 32" | 9.5" | N/A | 32" |
| 903452 | 3.35" | 42.7" | 8" | 11.6" | 34.5" |
| 903453 | 3.35" | 42.7" | 8" | 11.6" | 34.5" |
| 903452 + 903651 | 7.3" | 65.1" | 8" | 11.6" | 56.4" |
| 903210 | 3.5" | 33.7" | 6.3" | N/A | N/A |
| 903211 | 3.5" | 33.7" | 6.3" | N/A | N/A |
| 903310 | 4.3" | 43.5" | 6.3" | N/A | N/A |
| 9041 | 4.5" | 28.5" | 3.5" | 15.3" | 26.5" |
| 9044 | 6.4" | 35.3" | 4.5" | 8.9" | 29.25" |
| 9045 | 7.9" | 34.3" | 3.5" | 10.4" | 28" |

| MODEL | A | B | C | D | E |
|-------------------|-------|-------|-------|--------|-------|
| 9034XTR | 7.6" | 41.5" | 6.25" | 7.9" | 33.8" |
| 9035XTR | 7.9" | 41.5" | 6.25" | 7.9" | 33.8" |
| 9034XTR + 9036XTB | 9.6" | 60.1" | 6.26" | 7.9" | 52.5" |
| 904450 | 7.6" | 41.5" | 6.25" | 7.9" | 33.8" |
| 904550 | 7.9" | 41.5" | 6.25" | 7.9" | 33.8" |
| 904450 + 904650 | 9.6" | 60.1" | 6.26" | 7.9" | 52.5" |
| 9044 + 9046 | 7.9" | 55" | 4.5" | 8.9" | 49" |
| 9054 | 5" | 33.9" | 5.8" | 14.25" | 30.6" |
| 9012500 | 12.2" | 30.3" | 4.3" | 3.7" | 29.2" |
| 9013500 | 14.1" | 39" | 4.3" | 3.7" | 38.2" |

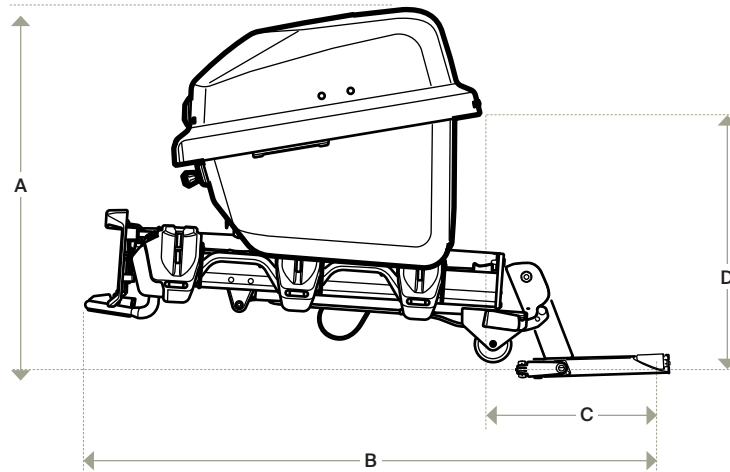
Vertical hanging hitch racks

| MODEL | A | B | C | D | E |
|-----------------|------|-------|-------|-------|-------|
| 9024500 (4B_2") | 3.2" | 27.5" | 12.9" | 13.1" | 56.6" |
| 9026500 (6B_2") | 3.2" | 27.5" | 12.9" | 13.1" | 56.6" |



Thule Santu with hitch bike rack measurements

To determine the clearance around Thule Santu (with Thule Epos or Thule EasyFold XT) and your vehicle, refer to the chart below.

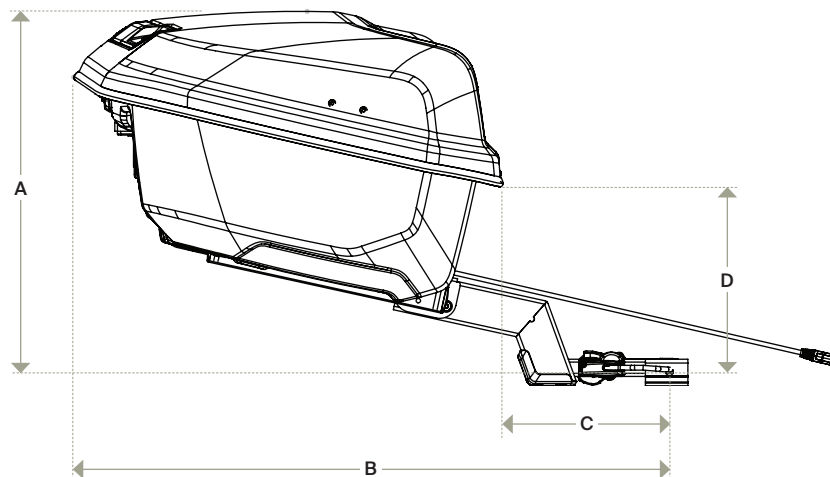


| MODEL | A | B | C | D |
|-------------------------------|-----------------|------------------|------|------|
| 909401 + 903210 (Epos 2 bike) | 28.7" / 72.9 cm | 33.7" / 85.5 cm | N/A* | N/A* |
| 909401 + 903211 (Epos 2 bike) | 28.7" / 72.9 cm | 33.7" / 85.5 cm | N/A* | N/A* |
| 909401 + 903310 (Epos 3 bike) | 29.6" / 75.2 cm | 43.5" / 110.5 cm | N/A* | N/A* |
| 909401 + 903202 (EasyFold XT) | 30.5" / 77.5 cm | 32" / 81.2 cm | N/A* | N/A* |

* carrier tilts down for trunk/hatch clearance

Thule Arcos hitch measurements

To determine the clearance around Thule Arcos and your vehicle, refer to the chart below.



| MODEL | A | B | C | D |
|-----------------|-----------------|------------------|-----------------|---------------|
| 906201 + 906301 | 26.1" / 66.3 cm | 43.2" / 109.6 cm | 12.2" / 31.2 cm | 14.2" / 36 cm |