

## Rear suspension package

# WRW32

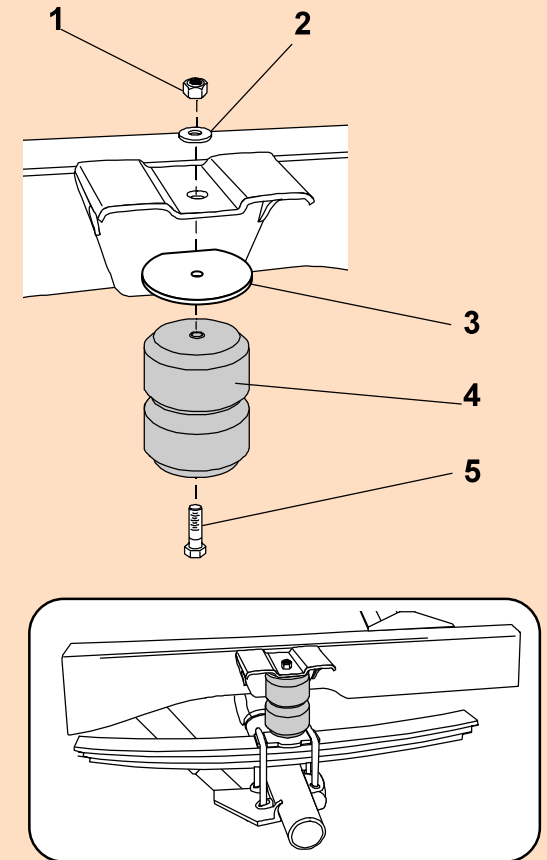
## INSTALLATION INSTRUCTIONS

- Raise vehicle allowing the axle to hang freely.
- Remove existing bump stop.
- Assemble Aeon rubber spring and bracket as shown in the adjacent diagram.
- Mount Timbren assembly to existing bump stop bracket using Timbren supplied fasteners.
- Lower vehicle.

Do not exceed vehicle manufacturer's recommended axle weight rating. Check for AEON interference with vehicle components - Under load AEON® will "expand" in diameter.

**Ref.** = Reference  
**Part** = Part #.  
**Qty.** = Quantity

Ref	Part	Qty
1	F31003-250	2
2	F40030-086	2
3	K54018-003	2
4	A00550-65P30	2
5	F11067-650	2



**WRW32** 