



FF9000HD **FORD** Front suspension package

INSTALLATION INSTRUCTIONS

- a) Raise vehicle allowing the axle to hang freely.
- b) Position Timbren bracket on frame centered over leaf spring or axle & drill 3 holes (17/32"OD) using frame bracket as a template.
- c) Assemble Aeon rubber spring and bracket as shown in the adjacent diagram.
- d) Mount Timbren assembly using Timbren supplied fasteners.
- e) Lower vehicle.

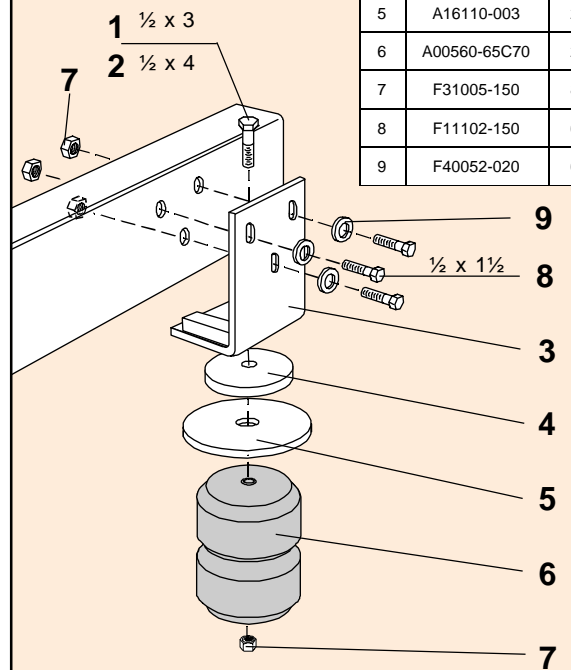
NOTES:

Use rubber washer #4 and bolt #2 to achieve desired ride height.

Do not exceed vehicle manufacturer's recommended axle weight rating. Check for AEON® interference with vehicle components - Under load AEON® will "expand" in diameter.

Ref. = Reference
Part = Part #.
Qty. = Quantity

Ref	Part	Qty
1	F11108-150	2
2	F11112-150	2
3	K10074-003	2
4	A25725-90AD00	2
5	A16110-003	2
6	A00560-65C70	2
7	F31005-150	8
8	F11102-150	6
9	F40052-020	6



FF9000HD

PART NUMBER	DESCRIPTION	QTY	LOCATION
F31005-150	NYLOCK LOCKNUT 1/2 UNF GR 5 Z	8	G1D
F40052-020	WASHER FLAT USS 1/2 x 1-3/8 GR 2 Z	6	G1D
F11102-150	HCS 1/2 x 1-1/2 UNF GR 5 Z	6	G1D
F11108-150	HCS 1/2 x 3 UNF GR 5 Z	2	G2A
F11112-150	HCS 1/2 x 4 UNF GR 5 Z	2	G2A
A00560-65C70	Hollow Rubber Spring	2	C12B
A25725-90AD00 ***	RUB. SPACER 4-1/2" od x 1" thk w/ AD Bushing	2	
K10074-003	FRAME BRACKET (PAINTED)	2	E1B
A16110-003	DISC 6 OD x 17/32 ID x 3/8 THK PAINTED	2	D20A
B90223	10-3/4 x 9-1/2 x 7 DW Carton	1	A1A
B10100	NEWSPRINT 18" ROLL	1	
B00029-010	BARCODE LABEL FOR KIT	1	

ASSEMBLY NOTES:

*** USE 2- A25724-90 SPACERS
WITH 'AD' BUSHINGS INSTALLED.

Clearance Instructions:

Rear SES Kits for Pick-Ups and Vans should have a 1/2" to 1-1/2" gap between the rubber spring and contact point when empty.

A partial load, or vehicle accessories will reduce or eliminate the gap.

Front SES kits are usually in full contact.

Medium and Heavy-Duty Trucks, Trailers and Motorhomes will be in constant contact, and have no gap.