

IHF7500

INTERNATIONAL

Front suspension package

INSTALLATION INSTRUCTIONS

- a) Raise vehicle allowing the axle to hang freely.
- b) Remove existing bump stop assembly.
- c) Assemble Aeon rubber spring and bracket as shown in the adjacent diagram.
- d) Mount Timbren assembly using existing holes & Timbren supplied fasteners.
- e) Lower vehicle.

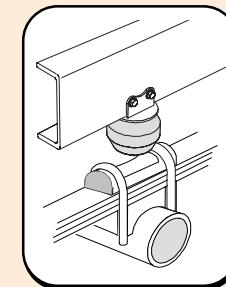
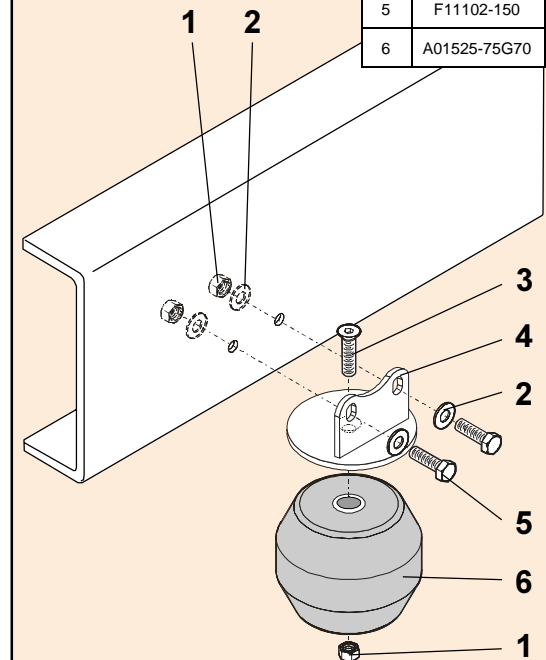
SAFETY CAUTIONS

Always refer to and follow the vehicle manufacturer's guidelines when welding or drilling during installation of this kit.

Do not exceed vehicle manufacturer's recommended axle weight rating. Check for AEON® interference with vehicle components - Under load AEON® will "expand" in diameter.

Ref. = Reference
Part = Part #.
Qty. = Quantity

Ref	Part	Qty
1	F31005-150	6
2	F40052-020	8
3	F12106-153	2
4	K10402-003	2
5	F11102-150	4
6	A01525-75G70	2



IHF7500



IHF7500

PART NUMBER	DESCRIPTION	QTY	LOCATION
F31005-150	NYLOCK LOCKNUT 1/2 UNF GR 5 Z	6	G1D
F40052-020	WASHER FLAT USS 1/2 x 1-3/8 GR 2 Z	8	G1D
F11102-150	HCS 1/2 x 1-1/2 UNF GR 5 Z	4	G1D
F12106-153	FHSHC 1/2 x 2-1/2 UNF GR 5 B	2	J2D
A01525-75G70	Hollow Rubber Spring	2	C18A
K10402-003	IHF7500 WELDMENT PAINTED	2	D19B
B90201-CF	LARGE FRONT BOX - 10.5 x 8.5 x 6	1	A--D
B10000	8" x 12" BUBBLE FOR KITS	1	
B00029-010	BARCODE LABEL FOR KIT	1	

Clearance Instructions:

Rear SES Kits for Pick-Ups and Vans should have a 1/2" to 1-1/2" gap between the rubber spring and contact point when empty.

A partial load, or vehicle accessories will reduce or eliminate the gap.

Front SES kits are usually in full contact.

Medium and Heavy-Duty Trucks, Trailers and Motorhomes will be in constant contact, and have no gap.