



IHF9300

INTERNATIONAL

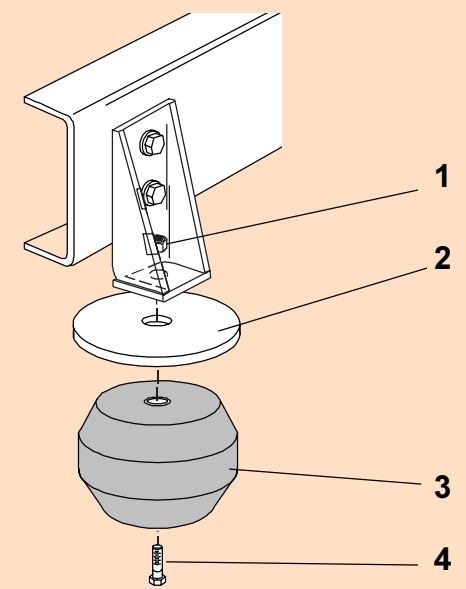
Front suspension package

INSTALLATION INSTRUCTIONS

- a) Raise vehicle allowing the axle to hang freely.
- b) Remove existing bump stop.
- c) Assemble Aeon rubber spring and bracket as shown in the adjacent diagram.
- d) Mount Timbren assembly to existing bump stop bracket using Timbren supplied fasteners.
- e) Lower vehicle.

Ref. = Reference
Part = Part #.
Qty. = Quantity

Ref	Part	Qty
1	F31005-150	2
2	A16110-003	2
3	A01525-55G70	2
4	F11110-150	2



Do not exceed vehicle manufacturer's recommended axle weight rating. Check for AEON[®] interference with vehicle components - Under load AEON[®] will "expand" in diameter.

IHF9300

PART NUMBER	DESCRIPTION	QTY	LOCATION
F31005-150	NYLOCK LOCKNUT 1/2 UNF GR 5 Z	2	G1D
F11110-150	HCS 1/2 x 3-1/2 UNF GR 5 Z	2	G2A
A01525-55G70	Hollow Rubber Spring	2	C18C
A16110-003	DISC 6 OD x 17/32 ID x 3/8 THK PAINTED	2	D20A
B90201-CF	LARGE FRONT BOX - 10.5 x 8.5 x 6	1	A--D
B10000	8" x 12" BUBBLE FOR KITS	1	
B00029-010	BARCODE LABEL FOR KIT	1	

Issued: 4/17/2003

Clearance Instructions:

Rear SES Kits for Pick-Ups and Vans should have a 1/2" to 1-1/2" gap between the rubber spring and contact point when empty.

A partial load, or vehicle accessories will reduce or eliminate the gap.

Front SES kits are usually in full contact.

Medium and Heavy-Duty Trucks, Trailers and Motorhomes will be in constant contact, and have no gap.