

# IHR46LP

## INTERNATIONAL

Rear suspension package

### INSTALLATION INSTRUCTIONS

- Raise vehicle allowing the axle to hang freely.
- Assemble Aeon rubber spring and bracket as shown in the adjacent diagram.
- Mount Timbren assembly using existing holes & Timbren supplied fasteners.
- Lower vehicle.

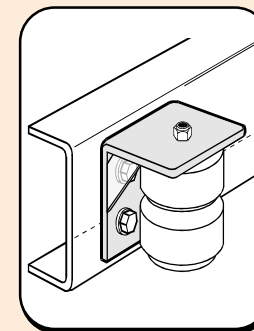
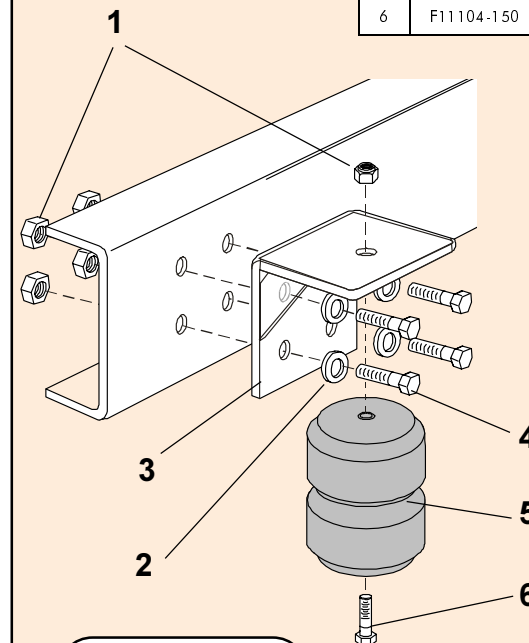
#### NOTES:

Ensure sufficient clearance between frame bracket & tire.

*Do not exceed vehicle manufacturer's recommended axle weight rating. Check for AEON® interference with vehicle components - Under load AEON® will "expand" in diameter.*

Ref. = Reference  
Part = Part #.  
Qty. = Quantity

Ref	Part	Qty
1	F31005-150	10
2	F40052-020	8
3	K10097-003	1L-1R
4	F11102-150	8
5	A00540-75E60	2
6	F11104-150	2



## IHR46LP

PART NUMBER	DESCRIPTION	QTY	LOCATION
F31005-150	NYLOCK LOCKNUT 1/2 UNF GR 5 Z	10	G1D
F40052-020	WASHER FLAT USS 1/2 x 1-3/8 GR 2 Z	8	G1D
F11102-150	HCS 1/2 x 1-1/2 UNF GR 5 Z	8	G1D
F11104-150	HCS 1/2 x 2 UNF GR 5 Z	2	G1D

A00540-75E60	Hollow Rubber Spring	2	C8A
--------------	----------------------	---	-----

K10097LH-003	Bracket	1	
K10097RH-003	Bracket	1	

B90211	#175 BOX - 10 x 8 x 5-1/2"	1	A6A
B10100	NEWSPRINT 18" ROLL	1	
B00029-010	BARCODE LABEL FOR KIT	1	

Issued: 11/9/2005

### Clearance Instructions:

Rear SES Kits for Pick-Ups and Vans should have a 1/2" to 1-1/2" gap between the rubber spring and contact point when empty.

A partial load, or vehicle accessories will reduce or eliminate the gap.

Front SES kits are usually in full contact.

Medium and Heavy-Duty Trucks, Trailers and Motorhomes will be in constant contact, and have no gap.