

KWF002

KENWORTH

Front suspension package

INSTALLATION INSTRUCTIONS

- Raise vehicle allowing the axle to hang freely.
- Assemble Aeon rubber spring and bracket as shown in the adjacent diagram.
- Mount Timbren assembly using existing holes & Timbren supplied fasteners.
- Lower vehicle.

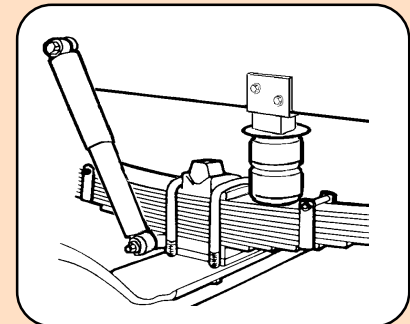
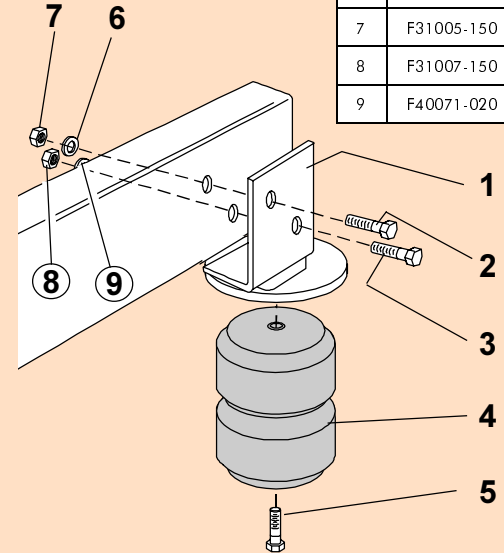
NOTES:

Timbren bracket mounts adjacent to oil filter on right hand side. Care must be taken that Aeon springs do not contact oil filter under full deflection.

Do not exceed vehicle manufacturer's recommended axle weight rating. Check for AEON[®] interference with vehicle components - Under load AEON[®] will "expand" in diameter.

Ref. = Reference
Part = Part #.
Qty. = Quantity

Ref	Part	Qty
1	K10206-003	1L-1R
2	F11104-150	2
3	F11146-150	2
4	A00560-55C70	2
5	F11106-150	2
6	F40053-020	2
7	F31005-150	2
8	F31007-150	2
9	F40071-020	2



KWF002



KWF002

PART NUMBER	DESCRIPTION	QTY	LOCATION
F31007-150	NYLOCK LOCKNUT 5/8 UNF GR 5 Z	2	H2E
F40071-020	WASHER FLAT USS 5/8 x 1-3/4 GR 2 Z	2	H2E
F11146-150	HCS 5/8 x 2-1/2 UNF GR 5 Z	2	H2E
F31005-150	NYLOCK LOCKNUT 1/2 UNF GR 5 Z	2	G1D
F40053-020	WASHER FLAT 1/2 x 1-1/2 X 1/8 GR 2 Z	2	G4A
F11104-150	HCS 1/2 x 2 UNF GR 5 Z	2	G1D
F11106-150	HCS 1/2 x 2-1/2 UNF GR 5 Z	2	G1D

A00560-55C70	Hollow Rubber Spring	2	C13A
--------------	----------------------	---	------

K10206LH-003	KWF002 WELDMENT PAINTED	2	E3A
K10206RH-003	KWF002 WELDMENT PAINTED	2	E3A

B90224	12 x 11 x 8-1/2" DW Carton	1	A1A
B10100	NEWSPRINT 18" ROLL	1	
B00029-010	BARCODE LABEL FOR KIT	1	

Issued: 4/17/2003

Clearance Instructions:

Rear SES Kits for Pick-Ups and Vans should have a 1/2" to 1-1/2" gap between the rubber spring and contact point when empty.

A partial load, or vehicle accessories will reduce or eliminate the gap.

Front SES kits are usually in full contact.

Medium and Heavy-Duty Trucks, Trailers and Motorhomes will be in constant contact, and have no gap.