

# KWRAG100

Rear suspension package

Ref. = Reference  
Part = Part #.  
Qty. = Quantity

## INSTALLATION INSTRUCTIONS

- With vehicle unloaded & full air pressure measure 5" from the Timbren frame bracket to axle pad. (Diagram A)
- Once the frame bracket position has been established, weld gusset #3 into place on the top center of the frame bracket (see main diagram)
- When positioning frame bracket ensure that the Aeon spring rests over center of axle pad.
- Drill holes for frame bracket providing for at least four 1/2" Gr.8 bolts through the bracket & frame. (Bolt frame bracket to frame using existing holes where possible)
- Assemble Aeon spring to bracket as shown in adjacent diagram.

### NOTES:

Holes in frame bracket must be within the gusset area.

### SAFETY CAUTIONS

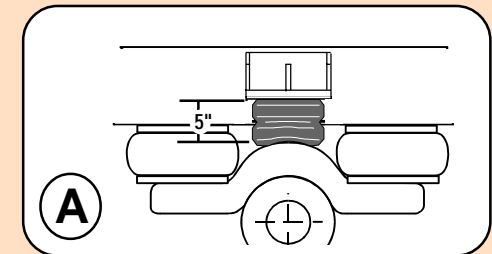
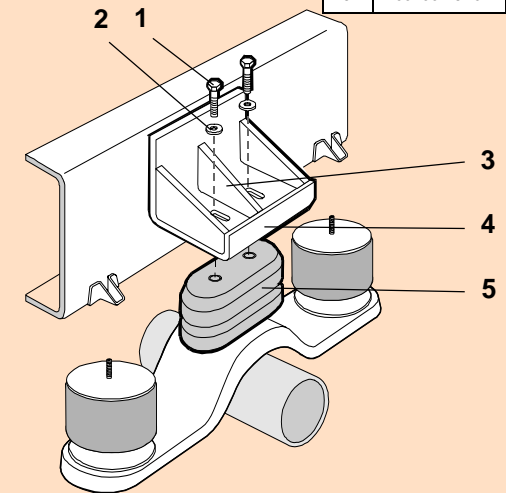
Ensure sufficient clearance between frame bracket & tire.

### OVERLOAD PREVENTION:

A working height less than 2" results in overload condition of item 5. If this condition exists during operation of vehicle, customer supplied mechanical stop to limit suspension travel must be used.

*Do not exceed vehicle manufacturer's recommended axle weight rating. Check for AEON® interference with vehicle components - Under load AEON® will "expand" in diameter.*

Ref	Part	Qty
1	F11102-150	8
2	F40052-020	8
3	K53028-005	4
4	K10135-005	4
5	A00200-75V0B	4



## KWRAG100

PART NUMBER	DESCRIPTION	QTY	LOCATION
F40052-020	WASHER FLAT USS 1/2 x 1-3/8 GR 2 Z	8	G1D
F11102-150	HCS 1/2 x 1-1/2 UNF GR 5 Z	8	G1D
A00200-75V0B	HOLLOW RUBBER SPRING	4	C16B
K10135-005	URMDB / URMDH WELDMENT (PAINTED)	4	D7B
K53028-005	GUSSET 3/8 x 3 x 4 PAINTED	4	D5A
B90223	10-3/4 x 9-1/2 x 7 DW Carton	2	A1A
B10100	NEWSPRINT 18" ROLL	1	
B00029-010	BARCODE LABEL FOR KIT	2	
	1 of 2 & 2 of 2 LABELS	1 ea.	

### ASSEMBLY NOTES:

ALL COMPONENTS ARE DIVIDED IN HALF AND PACKAGED INTO TWO IDENTICAL PACKAGES.

APPLY "1 of 2" and "2 of 2" LABELS TO CARTONS

Issued: 4/17/2009

### Clearance Instructions:

Rear SES Kits for Pick-Ups and Vans should have a 1/2" to 1-1/2" gap between the rubber spring and contact point when empty.

A partial load, or vehicle accessories will reduce or eliminate the gap.

Front SES kits are usually in full contact.

Medium and Heavy-Duty Trucks, Trailers and Motorhomes will be in constant contact, and have no gap.