

**MFFFE** **MITSUBISHI** Front suspension package

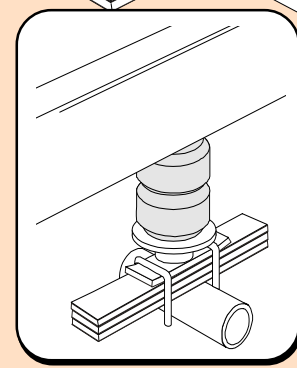
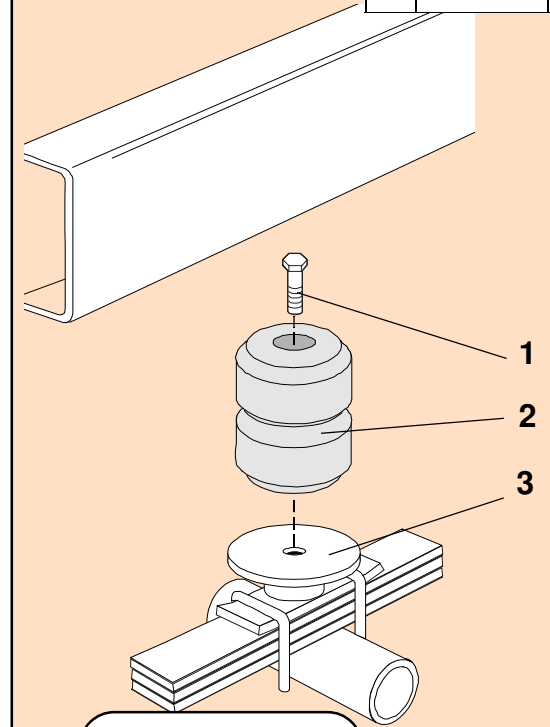
INSTALLATION INSTRUCTIONS

- a) Partially raise vehicle not allowing the axle to hang freely.
- b) Loosen axle U-bolts and remove existing bump stop.
- c) Assemble Aeon rubber spring and bracket as shown in the adjacent diagram.
- d) Mount Timbren assembly to axle & retighten U-bolts as per OEM specifications.
- e) Lower vehicle.

*Do not exceed vehicle manufacturer's recommended axle weight rating. Check for AEON® interference with vehicle components - Under load AEON® will "expand" in diameter.*

Ref. = Reference  
Part = Part #.  
Qty. = Quantity

Ref	Part	Qty
1	F11102-150	2
2	A00540-65E60	2
3	K10436-003	2



## MFFFE

PART NUMBER	DESCRIPTION	QTY	LOCATION
<b>F11102-150</b>	HCS 1/2 x 1-1/2 UNF GR 5 Z	<b>2</b>	<b>G1D</b>
<b>A00540-65E60</b>	Hollow Rubber Spring	<b>2</b>	<b>C8B</b>
<b>K10436-003</b>	GMFW4C / MFFFE WELDMENT PAINTED	<b>2</b>	<b>D13C</b>
<b>B90200-CF</b>	SMALL FRONT BOX - 9.5 x 7 x 5.5	<b>1</b>	<b>A--E</b>
<b>B10000</b>	8" x 12" BUBBLE FOR KITS	<b>1</b>	
<b>B00029-010</b>	BARCODE LABEL FOR KIT	<b>1</b>	

Issued: 9/3/2013

### Clearance Instructions:

Rear SES Kits for Pick-Ups and Vans should have a 1/2" to 1-1/2" gap between the rubber spring and contact point when empty.

A partial load, or vehicle accessories will reduce or eliminate the gap.

Front SES kits are usually in full contact.

Medium and Heavy-Duty Trucks, Trailers and Motorhomes will be in constant contact, and have no gap.