

MKTT001

MACK

Rear suspension package

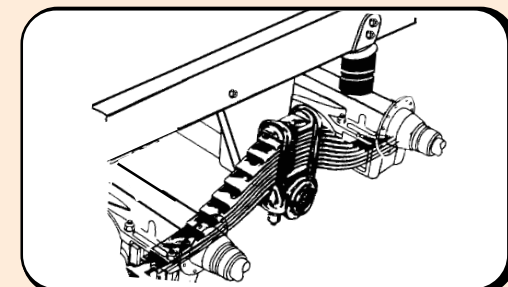
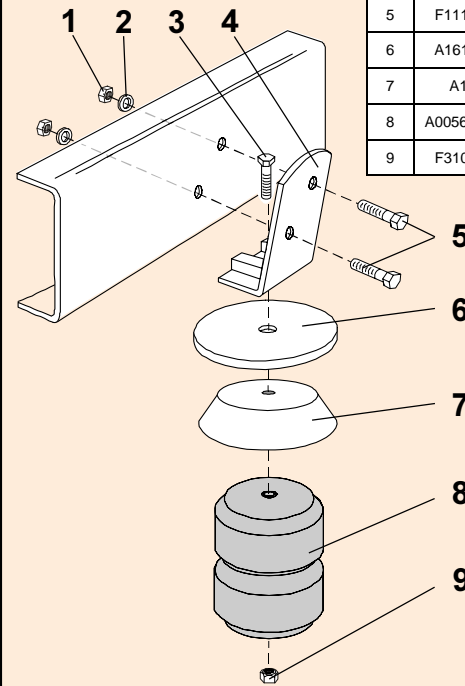
INSTALLATION INSTRUCTIONS

- a) Raise vehicle allowing the axle to hang freely.
- b) Remove existing bump stop assembly.
- c) Assemble Aeon rubber spring and bracket as shown in the adjacent diagram.
- d) Mount Timbren assembly using existing holes & Timbren supplied fasteners.
- e) Lower vehicle.

Do not exceed vehicle manufacturer's recommended axle weight rating. Check for AEON® interference with vehicle components - Under load AEON® will "expand" in diameter.

Ref. = Reference = No. de référence = Núm. de referencia
Part = Part #. = No. de pièce = Núm. de pieza
Qty. = Quantity = Quantité = Cantidad

Ref	Part	Qty
1	F33007-150	4
2	F40071-020	4
3	F11108-150	2
4	K10006-003	1L-1R
5	F11142-150	4
6	A16110-003	2
7	A16040	2
8	A00560-75C70	2
9	F31005-150	2



MKTT001

PART NUMBER	DESCRIPTION	QTY	LOCATION
F31007-150	NYLOCK LOCKNUT 5/8 UNF GR 5 Z	4	H2E
F40071-020	WASHER FLAT USS 5/8 x 1-3/4 GR 2 Z	4	H2E
F11142-150	HCS 5/8 x 1-1/2 UNF GR 5 Z	4	H2E
F31005-150	NYLOCK LOCKNUT 1/2 UNF GR 5 Z	2	G1D
F11108-150	HCS 1/2 x 3 UNF GR 5 Z	2	G2A
A00560-75C70	Hollow Rubber Spring	2	C12A
K10006RH-003	IHRCXT/MKT001/MKTT001 WELD. RH PAINTED	1	E1A
K10006LH-003	IHRCXT / MKT001 / MKTT001 WELD. LH PAINTED	1	E1A
A16110-003	DISC 6 OD x 17/32 ID x 3/8 THK PAINTED	2	D20A
A16040	STEEL CUP 6-15/16 od x 17/32 id x 1-5/8" deep	2	D21B
B90224	12 x 11 x 8-1/2" DW Carton	1	A1A
B10100	NEWSPRINT 18" ROLL	1	
B00029-010	BARCODE LABEL FOR KIT	1	

ASSEMBLY NOTES:

APPLY 'LEFT' LABEL TO L/H BRACKET.

Issued: 9/9/2005

Clearance Instructions:

Rear SES Kits for Pick-Ups and Vans should have a 1/2" to 1-1/2" gap between the rubber spring and contact point when empty.

A partial load, or vehicle accessories will reduce or eliminate the gap.

Front SES kits are usually in full contact.

Medium and Heavy-Duty Trucks, Trailers and Motorhomes will be in constant contact, and have no gap.