

# PF200

# PETERBILT

Front suspension package

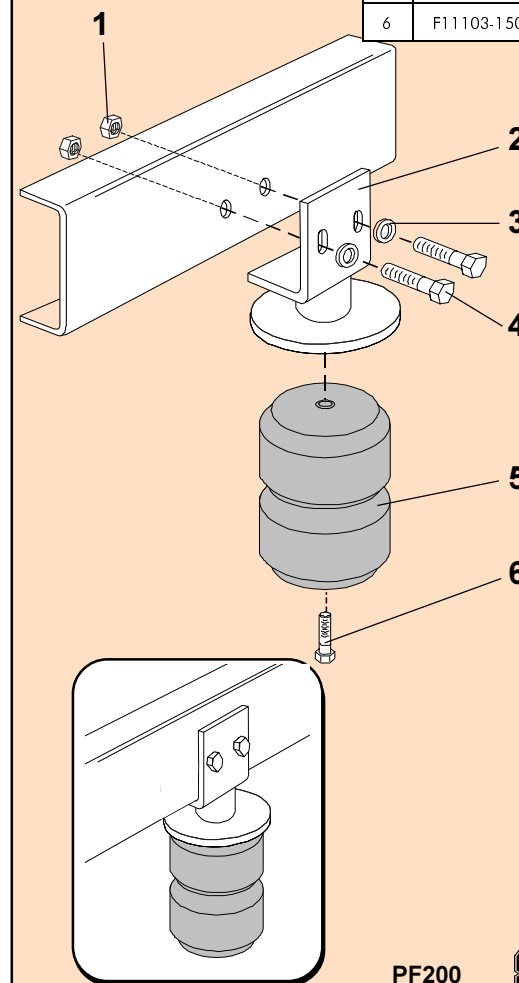
## INSTALLATION INSTRUCTIONS

- a) Raise vehicle allowing the axle to hang freely.
- b) Remove existing bump stop assembly.
- c) Assemble Aeon rubber spring and bracket as shown in the adjacent diagram.
- d) Mount Timbren assembly using existing holes & Timbren supplied fasteners.
- e) Lower vehicle.

*Do not exceed vehicle manufacturer's recommended axle weight rating. Check for AEON® interference with vehicle components - Under load AEON® will "expand" in diameter.*

Ref. = Reference  
Part = Part #.  
Qty. = Quantity

Ref	Part	Qty
1	F31004-250	4
2	K10173-003	2
3	F40041-020	4
4	F11082-250	4
5	A00540-75E60	2
6	F11103-150	2



PF200



## PF200

PART NUMBER	DESCRIPTION	QTY	LOCATION
<b>F31004-250</b>	NYLOCK LOCKNUT 7/16 UNC GR 5 Z	<b>4</b>	<b>H1C</b>
<b>F40041-020</b>	WASHER FLAT USS 7/16 x 1-1/4 GR 2 Z	<b>4</b>	<b>H1C</b>
<b>F11082-250</b>	HCS 7/16 x 1-1/2 UNC GR 5 Z	<b>4</b>	<b>H1C</b>
<b>F11103-150</b>	HCS 1/2 x 1-3/4 UNF GR 5 Z	<b>2</b>	<b>G1D</b>
<b>A00540-75E60</b>	Hollow Rubber Spring	<b>2</b>	<b>C8A</b>
<b>K10173-003</b>	PF200 WELDMENT PAINTED	<b>2</b>	<b>E2B</b>
<b>B90201-CF</b>	LARGE FRONT BOX - 10.5 x 8.5 x 6	<b>1</b>	<b>A--D</b>
<b>B10000</b>	8" x 12" BUBBLE FOR KITS	<b>1</b>	
<b>B00029-010</b>	BARCODE LABEL FOR KIT	<b>1</b>	

Issued: 4/21/2003

### Clearance Instructions:

Rear SES Kits for Pick-Ups and Vans should have a 1/2" to 1-1/2" gap between the rubber spring and contact point when empty.

A partial load, or vehicle accessories will reduce or eliminate the gap.

Front SES kits are usually in full contact.

Medium and Heavy-Duty Trucks, Trailers and Motorhomes will be in constant contact, and have no gap.