



## **TRUE FRAME MOUNTED CAMPER TIE DOWNS**

**IMPORTANT OWNER-OPERATOR INSTALLATION INSTRUCTIONS**

### **C2217**

Minor movement (or settling) can occur in some incidental harsh driving conditions (on or off road).

A rubber bed mat is not a requirement to maintain the lifetime warranty on a Torklift system, but a strong recommendation, simply as a safety precaution to protect the truck bed, the bottom of the camper and to give the camper additional support.

**Warning!!**

**TORKLIFT DOES NOT RECOMMEND:** Installing your truck camper in your truck on top of a drop in plastic bed liner!!! THIS WILL VOID YOUR WARRANTY!

The drop in plastic bed liners can slide on top of the truck bed surface, and the camper can slide on top of the slick surface of the bed liner. The liner can also act as a spring causing a trampoline effect increasing vertical truck camper movement, independent of the vehicle, possibly resulting in truck bed damage and/or camper damage!

## C2217 PARTS INVENTORY

2x Tie Down Receiver

2x Tie Down Insert

2x 7/16"-14 x 2" Hex Bolt Grade 8 Zinc

2x Star Washer

2x 1" x 2" Plate Washer

2x 2" x 2" x 5/16" Sq Center Hole Plate

2x 7/16" Lock Washer

2x 7/16"-14 Hex Nut Grade 8

2x Insert Pin

2x Bolt Fisher

## Instructions

### **Step 1:**

Use one of the supplied **Bolt Fishers** to fish one **1" x 2" Plate Washer**, one **Star Washer**, and one **7/16"-14 x 2" Hex Bolt Grade 8 Zinc** through the oval hole located behind the front leaf spring hanger and out the hole located under the bed support and in front of the front leaf spring hanger. Leave the hardware inside of the frame, with the bolt fisher attached. (**Figure 1.1**)

### **Step 2:**

Remove the factory bolt in the top of the bed support located in front of the front leaf spring hanger. (**Figure 1.1**)

### **Step 3:**

Loosen the nut on the front leaf spring bolt by 3/8". (**Figure 1.1**)

### **Step 4:**

Locate the **Tie Down Receiver**. Thread the wire end of the Bolt Fisher through the lower hole in the **Tie Down Receiver**. Hold the **Tie Down Receiver** up against the frame. Slide the **Tie Down Receiver** upwards so that the slot in the plate slides between the front leaf spring hanger and the previously loosened leaf spring nut. While holding the **Tie Down Receiver** in position, reinstall the factory bolt through the top hole of the **Tie Down Receiver** and into the top of the bed support. Leave loose.

### **Step 5:**

Use the wire end of the **Bolt Fisher** to pull the threaded end of the **7/16"-14 x 2" Hex Bolt Grade 8 Zinc** out through the lower hole in the **Tie Down Receiver**. Carefully remove the **Bolt Fisher** and secure the **7/16"-14 x 2" Hex Bolt Grade 8 Zinc** with one **2" x 2" x 5/16" Sq Center Hole Plate Washer**, one **7/16" Lock Washer**, and one **7/16"-14 Hex Nut Grade 8**.

### Step 6:

Torque the factory bolt in the top of the bed support to 60 ft-lbs.

Torque the **7/16"-14 Hex Nut Grade 8** to 60 ft-lbs.

Torque the factory nut on the leaf spring hanger bolt to 80 ft-lbs.

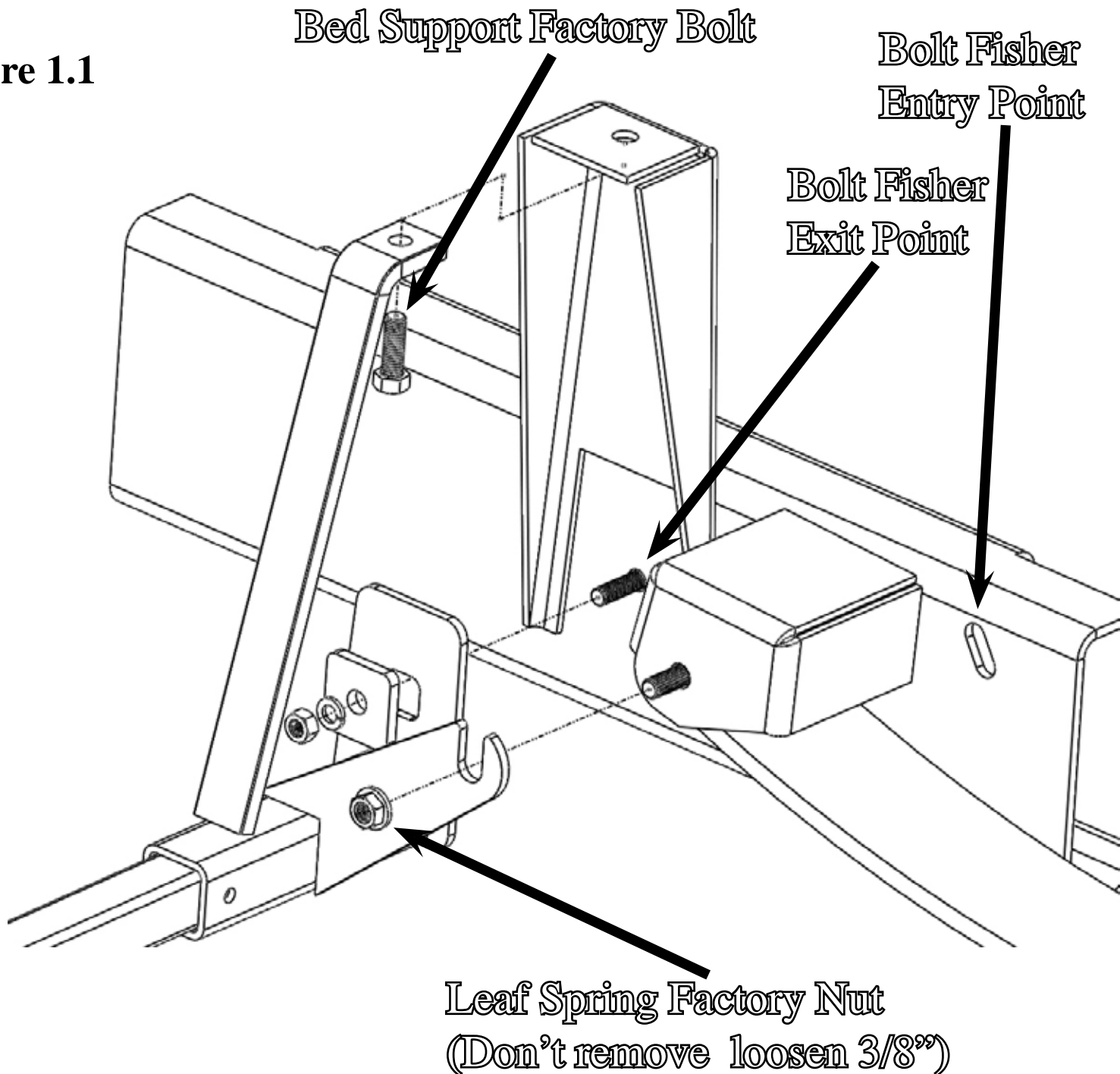
### Step 7:

Install the **Tie Down Insert** into the receiver so that the hole farthest away from the tube is facing towards the front of the truck. Secure the **Tie Down Insert** with a **Insert Pin**. Either hole in the **Tie Down Insert** can be used as long as it provides enough clearance around the truck body.

### Step 8:

Repeat steps 1 through 7 for opposite side Tie Down.

Figure 1.1



# **INSTRUCTIONS FOR MAINTENANCE OF POLISHED STAINLESS STEEL PRODUCTS**



**TorkLift utilizes quality grade 304 stainless steel in this product.**

**304 stainless steel is well known for its anti corrosive properties, however in some environments such as coastal regions or when in contact with some road chemicals, corrosion may occur.**

**We recommend occasional polishing of our product to maintain its attractive finish. Use an approved stainless steel cleaning/polishing product which can be purchased from any automotive supplier.**

## Frame Mounted Tie Downs

Leading the camper tie down industry in strength, quality, advanced design and installation. TorkLift TRUE frame mounted tie downs are far superior to all tie down systems available.



The TorkLift system is unique in its design and is patented. Four independent tie down points (with no belly or crossbar) working much like your receiver type trailer hitch as the inserts are removable allowing the system to be virtually undetectable when not in use.

They are designed for each make and model to fit tight to the frame so as not to compromise ground clearance. TorkLift tie downs are not universal 'one size fits all' therefore all the problems with correct fit for each particular application have been eliminated.

---

## Original SuperHitch & SuperHitch Magnum

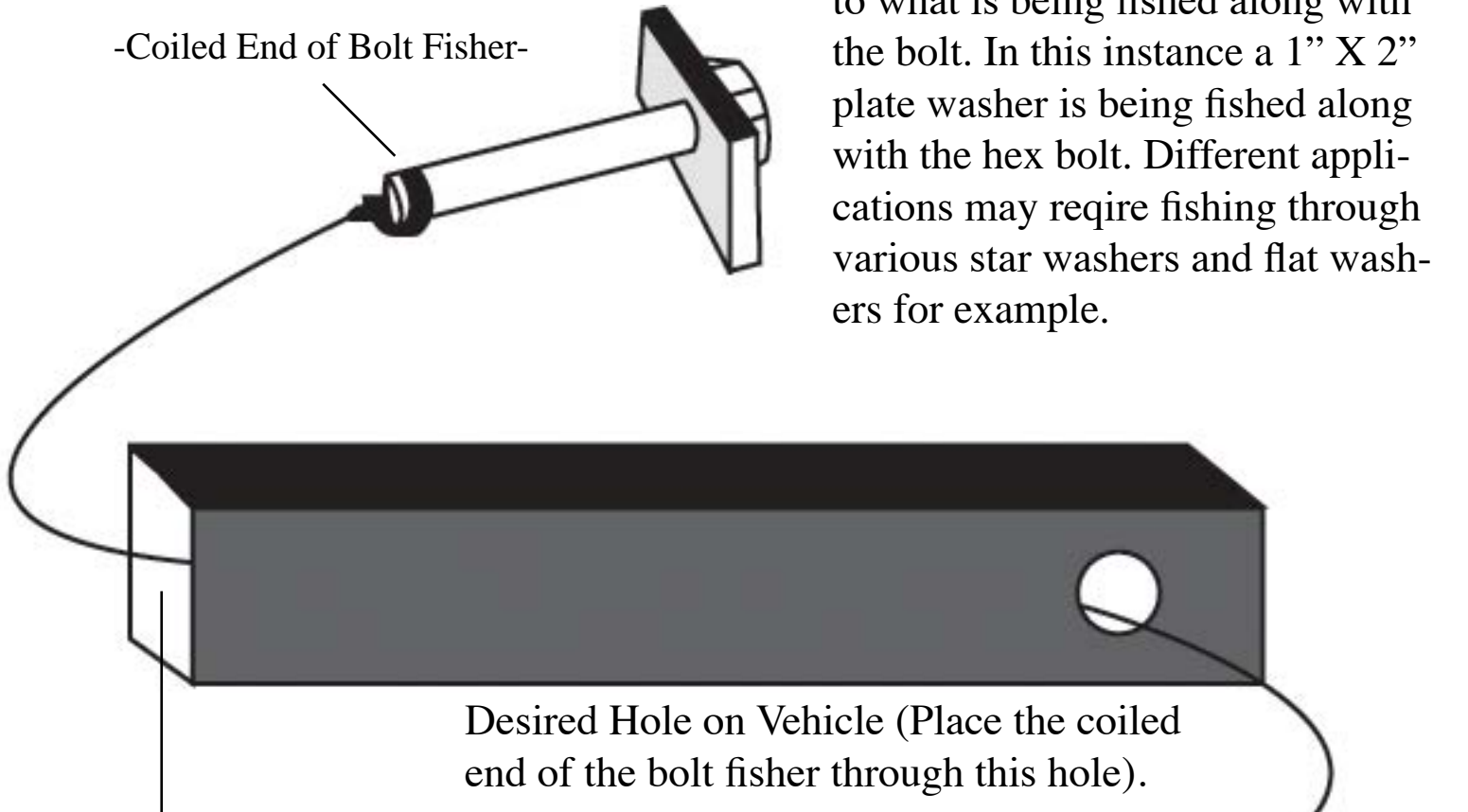
High strength extended hitch system engineered for safely towing all types of trailers behind your truck and camper. With a max towing capacity of 14,000 lbs. with an extension\* , (17,000 lbs. to 20,000 lbs. without\*) the Original SuperHitch and SuperHitch Magnum are rated the strongest in the industry.



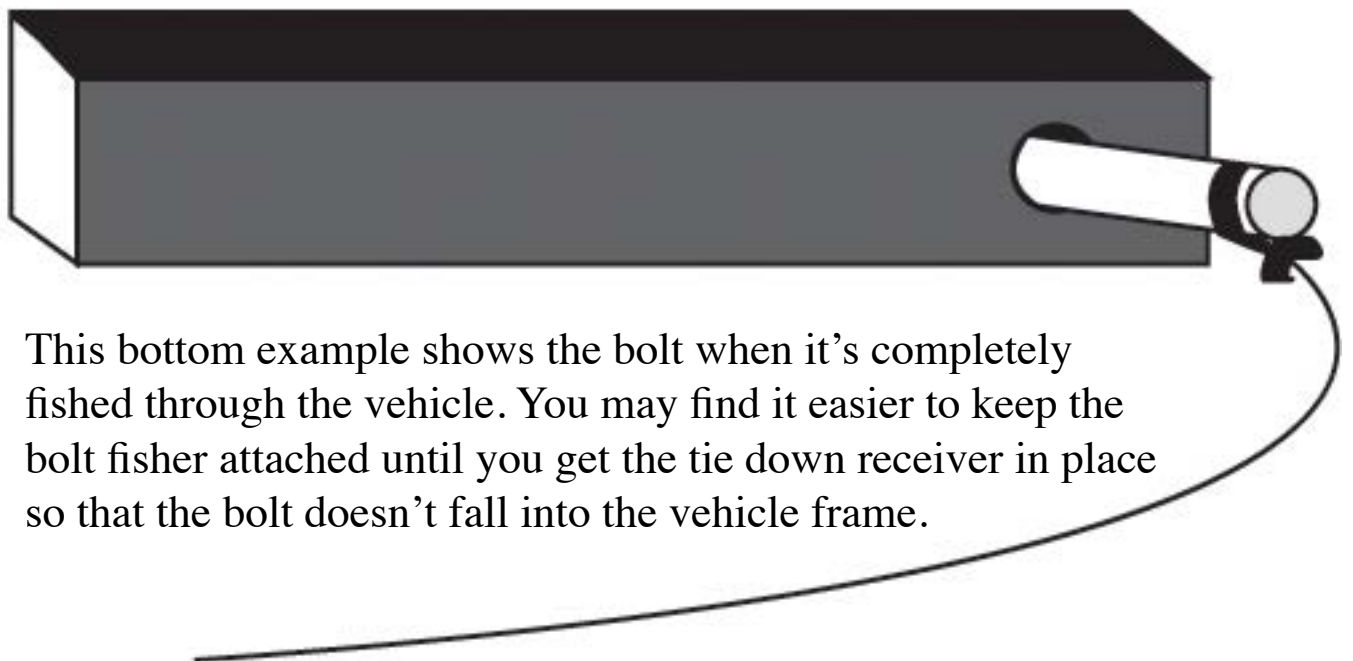
# TORKLIFT'S BOLT FISHING GUIDE

Your guide to understanding the installation of our frame mounted tie downs.

Note: The hardware may vary as to what is being fished along with the bolt. In this instance a 1" X 2" plate washer is being fished along with the hex bolt. Different applications may require fishing through various star washers and flat washers for example.



This side of the Bolt Fisher should come out of a hole where the required hardware (for example 1" X 2" plate washer) can pass through.



This bottom example shows the bolt when it's completely fished through the vehicle. You may find it easier to keep the bolt fisher attached until you get the tie down receiver in place so that the bolt doesn't fall into the vehicle frame.

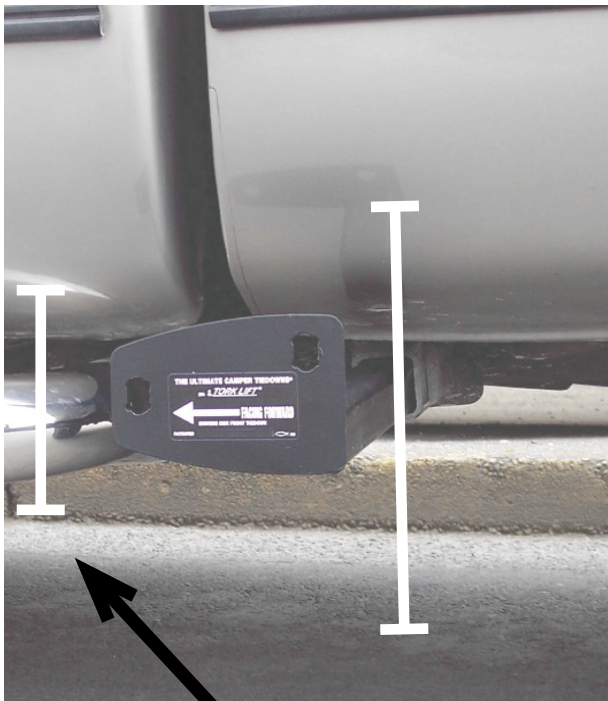
**WARNING: PULLING TOO HARD ON THE BOLT FISHER CAN RESULT IN LOST FASTENERS, OR BROKEN BOLT FISHER.**

# ***TIE DOWN INSERT INSTALLATION INSTRUCTIONS***

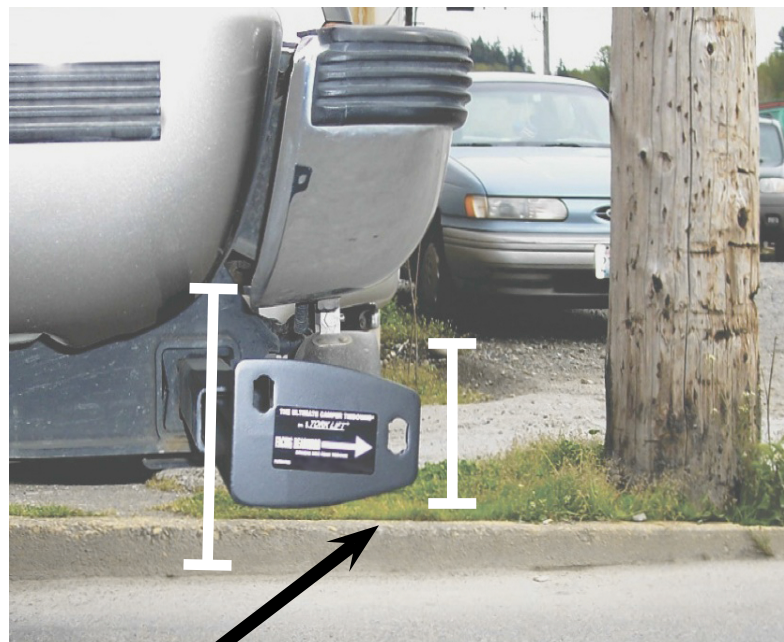
*On one end of each of your tiedown inserts is a triangular plate referred to by TorkLift as a bullet plate. Your tiedown inserts should be installed with the shorter side of the bullet plate facing away from each other, i.e.. The shorter side of the front insert should point to the front of the truck and the shorter side of the rear insert should point towards the rear of the truck.*

*Once installed, attach the TorkLift directional stickers to the face of the bullet plate on the insert as a reminder.*

## ***DRIVERS SIDE FRONT***



## ***DRIVERS SIDE REAR***



***SHORTER SIDE***

# TURNBUCKLE SPRINGLOAD OPTIONS

## CONTACT YOUR LOCAL DEALER FOR MORE DETAILS

TorkLift requires all 4 tiedown points to be spring loaded in order to qualify for our manufacturer's

**Industry Exclusive "Camper Anchor" and "Truck Frame" Warranty**

### BASIC SPRINGLOAD KIT - S9000

Includes 2 External Springload Cylinder Units,  
2 Heavy Duty Forged Turnbuckles and 24" of Chain.  
Also comes with the TorkLift Lifetime Guarantee.



### FASTGUNS LEVER ACTION TURNBUCKLES

FOR BED MOUNTED TIEDOWNS

S9520-GREY SS / S9521-WHITE SS / S9527-POLISHED SS

FOR FRAME MOUNTED TIE DOWNS

S9522-GREY SS/ S9523-WHITE SS/ S9526-POLISHED SS

S9529-BLACK SS

FRAME OR BUMPER MOUNTED TIEDOWNS

Includes 2 Stainless Steel Turnbuckles with an Internal  
"Set" Spring. Available in 2 Lengths and 4 Finishes  
(Grey, White, Polished Stainless Steel and Black)

Also comes with the TorkLift Lifetime Guarantee.

### FASTGUN DERRINGERS Polished Stainless S9528

Transforms Your Pre-Existing Conventional  
Turnbuckles into a Lever Action  
FastGun Style Turnbuckle.

Kit includes 4 Lever Action Derringers.

Also comes with the TorkLift Lifetime Guarantee.



### SPRINGLOAD XL KIT - S9050A

This set includes 2 Long Square Bodied  
Turnbuckles with an Internal "Set" Spring.

The Springload XL Kit comes with a High Impact Powder-coated Finish and is compatible with the FastGun Derringer handles. Also comes with the TorkLift Lifetime Guarantee.

# **RECOMMENDED TRUCK CAMPER**

## **INSTALLATION INSTRUCTIONS**

When securing any heavy load (especially a camper) in your truck bed, your front tie down points should pull the load forward as much as possible. Some camper anchor points may differ with different manufacturers, as well as the camper jack mounting locations. Your TorkLift tie down inserts have offset triangular brackets to increase the angle of pull. These are designed to be used in the front facing forward, and the rear facing rearward but can be used in either front or rear. These recommendations are to be considered and followed as a basic rule of thumb . Obviously there will be some applications where this may not be possible. At a minimum, if opposite pull of both front and rear tiedowns cannot be achieved for whatever reason, you should have at least a forward pull at the front or rear location.

If your camper does not come with Rubber Bumpers on the front lower portion of the camper, installing Rubber Bumpers (TorkLift has Rubber Bumpers available Part A7001) or using a block of wood such as a 2 x 4 in the bed, will prevent the camper from damaging the front bulk head of the truck bed.

Minor movement (or settling) can occur in some incidental harsh driving conditions (on or off road). A rubber bed mat is not a requirement to maintain the lifetime warranty on a TorkLift system, but a strong recommendation simply as a safety precaution to protect the truck bed, the bottom of the camper and to give the camper additional support.

**TORKLIFT DOES NOT RECOMMEND:** Installing your truck camper in your truck on top of a drop in plastic bed liner!!! The drop in plastic bed liners can slide on top of the truck bed surface, and the camper can slide on top of the slick surface of the bed liner. The liner can also act as a spring causing a trampoline effect increasing vertical truck camper movement, independent of the vehicle, possibly resulting in truck bed, and camper damage!

## **INSTRUCTIONS FOR FINISH MAINTENANCE** **OF TORKLIFT PRODUCTS**

### **POWDER COATED STEEL:**

To keep your TorkLift products looking good follow these guidelines. All steel powder coated TorkLift products are sandblasted for maximum adhesion and use a high quality industrial urethane based powder coat. Due to the extreme, harsh, undercar environment that your TorkLift products live in, (consistently sprayed with corrosive road chemicals such as salt, and road debris), TorkLift does not warranty the powder coated finish.

To minimize corrosion from these factors on powder coated steel products, TorkLift recommends regularly cleaning and inspecting the powder coated surface and touching up any affected areas with an enamel or urethane based aerosol paint product. If there are any areas of surface rust, there are also aerosol spray rust converters available on the market that can be used as a preparation to touch-up paint application. These finish maintenance products are available at any automotive parts supplier.

### **POLISHED STAINLESS STEEL :**

TorkLift utilizes quality grade 304 stainless steel in our stainless steel polished products. 304 stainless steel is well known for its anti-corrosive properties. However, in some environments such as coastal regions or when coming in contact with some road chemicals, corrosion may occur.

For a quick clean simply use WD40 and a cloth rag. We also recommend occasional polishing of our polished stainless products to maintain their attractive finish. Use an approved stainless steel chrome or aluminum mag wheel polish cleaning product which can be purchased from any automotive parts supplier.