

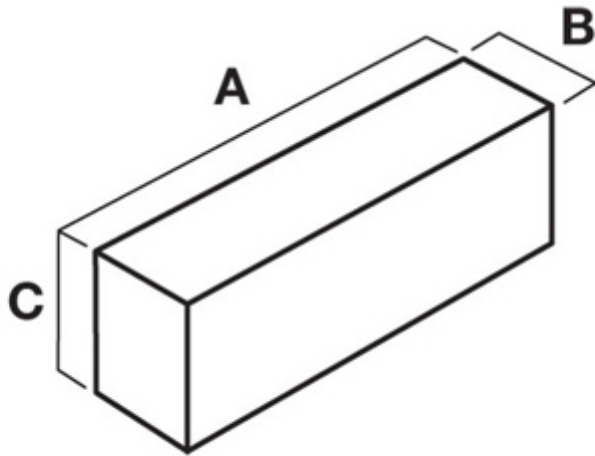


## Aluminum Underbody Tool Boxes



### Underbody Tool Boxes

- Mounts above or below flat beds, dump beds, trailer bodies, and other applications
- 4 different lengths available



Please add 1" to the length (A), depth (B) and height (C) for box dimensions with lid

Brite Part No.	Description	A	B	C	Dimensions shown in inches*	
					Door Opening	Cu Ft
<a href="#">190601</a>	60-Inch Underbody Tool Box	60	17-1/2	18	13 x 55-1/2	11.3
<a href="#">190481</a>	48-Inch Underbody Tool Box	48	17-1/2	18	13 x 43-1/2	9.0
<a href="#">190361</a>	36-Inch Underbody Tool Box	36	17-1/2	18	13 x 31-1/2	6.8
<a href="#">190241</a>	24-Inch Underbody Tool Box	24	17-1/2	18	13 x 19-1/2	4.5

### Tool Box Features:

- The widest selection of sizes and styles in the industry
- Superior quality yet economically priced to fit your budget

### Lid Design

The TrailFX lid has two layers of aluminum and a higher density foam fill than any of the competitive boxes on the market. These features make the TrailFX lid the strongest, most rigid lid on the market while adding both strength and security for the life of the unit.

### Body Design

The body of the TrailFX box also features fully welded TIG seams and the built-in small parts storage bin, a patented feature. The built-in small parts storage bin adds strength to the end of the box. Others in the industry tack weld in additional pieces of metal to accomplish a similar result with inferior strength. TrailFX does not compromise!

### Latching System

The TrailFX latching system features a high-quality stainless steel latch for lasting durability and convenience. The patented up-and-over rod does not encumber the working space of the box and keeps the rod out of harm's way, prolonging the life of the latching system. The double-bitted steel keys make locking and unlocking the box easy in all conditions.

### Shocks

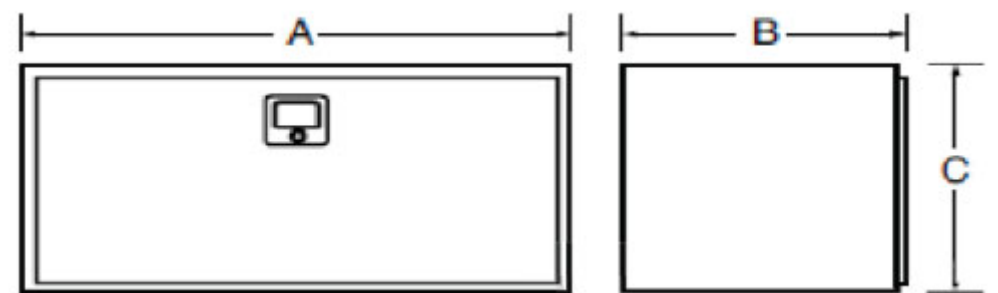
The TrailFX box features easy one-hand entry through the use of a self-opening shock.

## Steel Underbody Tool Boxes



### Tool Box Features:

- Stainless steel chain supports allow lid to remain open at a 90° angle
- Strong, lockable stainless steel T-handle protects valuables
- Available in three sizes (24", 36" and 48")



Dimensions shown in inches\*

Description	Wt (Lbs)	A	B	C	Cu ft	Part No.
24" Steel Underbody White	63	24.00	18.75	18.00	4.7	<a href="#">190241S</a>
24" Steel Underbody Black	63	24.00	18.75	18.00	4.7	<a href="#">190242S</a>
24" Steel Underbody Matte Black	63	24.00	18.75	18.00	4.7	<a href="#">190243S</a>
36" Steel Underbody White	87	36.00	18.75	18.00	7.0	<a href="#">190361S</a>
36" Steel Underbody Black	87	36.00	18.75	18.00	7.0	<a href="#">190362S</a>
36" Steel Underbody Matte Black	87	36.00	18.75	18.00	7.0	<a href="#">190363S</a>
48" Steel Underbody White	108	48.00	18.75	18.00	9.4	<a href="#">190481S</a>
48" Steel Underbody Black	108	48.00	18.75	18.00	9.4	<a href="#">190482S</a>
48" Steel Underbody Matte Black	108	48.00	18.75	18.00	9.4	<a href="#">190483S</a>