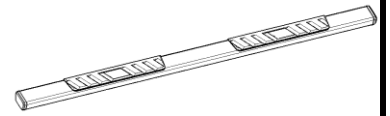




# T4 Side Bar

## Part No. A4019S/B



Fits: **Current FORD RANGER SUPERCAB**



60-180 min

CUTTING NOT  
REQUIRED

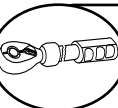
DRILLING NOT  
REQUIRED



REMOVE CONTENTS FROM BOX. VERIFY ALL PARTS ARE PRESENT.



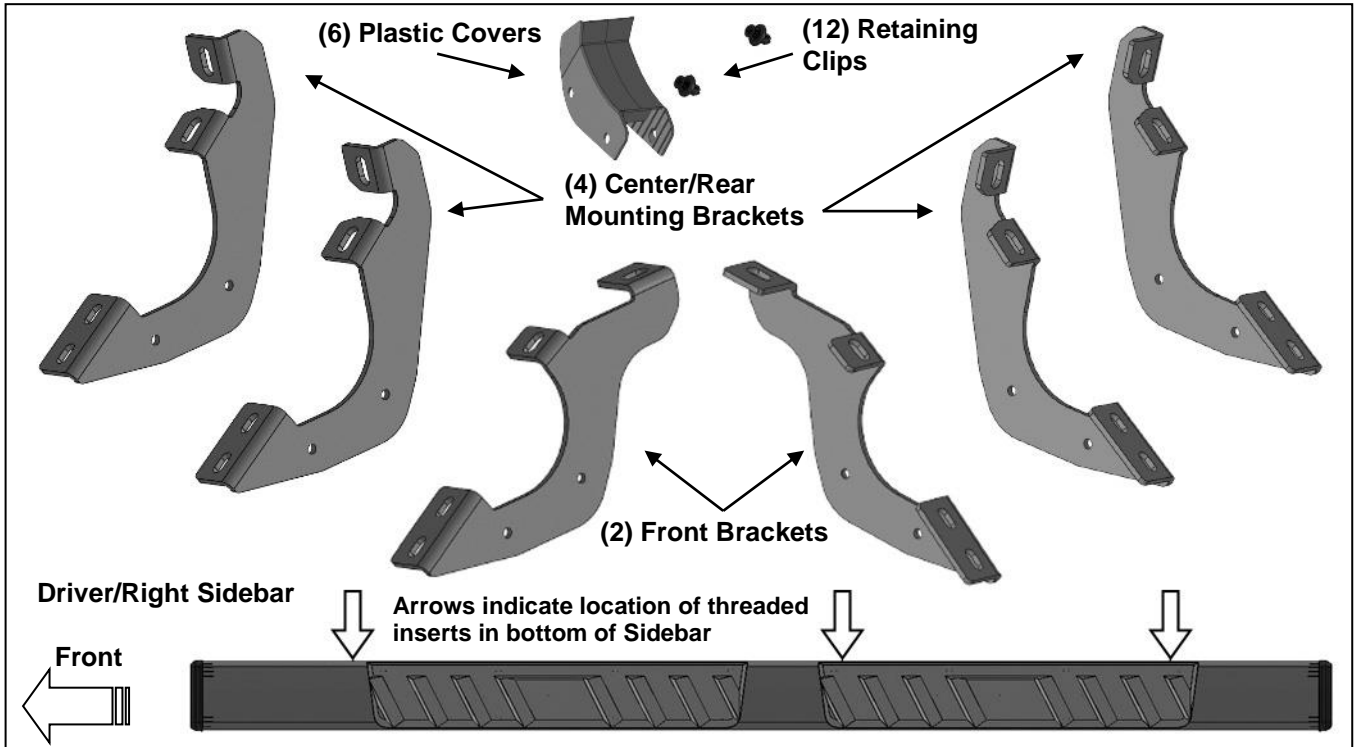
READ INSTRUCTIONS CAREFULLY BEFORE STARTING INSTALLATION.



DO NOT OVER TORQUE. STANDARD OPERATING LOAD FOR TIGHTEN BODY MOUNT NUTS & BOLTS VARIES FROM 45 TO 65 FOOT POUND.

### PARTS LIST:

Qty	Part Description	Qty	Part Description
1	Driver/Left Sidebar	12	Retaining Clips
1	Passenger/Right Sidebar	12	10-1.5mm x 25mm Hex Bolts
2	Front Mounting Brackets	12	10mm Lock Washers
4	Center and Rear Mounting Brackets	12	10mm x 27mm x 3mm Flat Washers
6	Plastic Bracket Covers	12	8-1.25mm x 25mm Combo Bolts

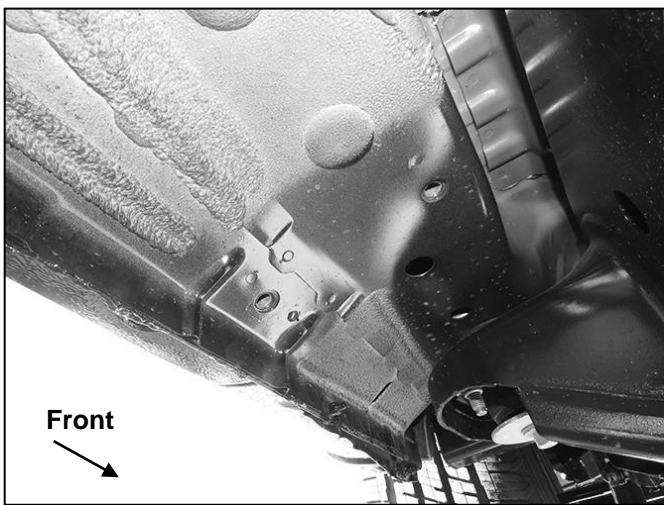


### PROCEDURE:

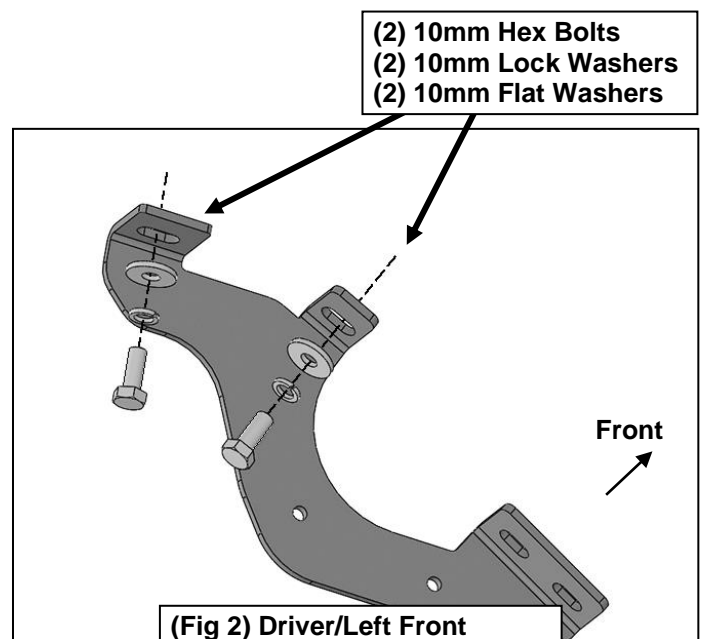
1. REMOVE CONTENTS FROM BOX. VERIFY ALL PARTS ARE PRESENT. READ INSTRUCTIONS CAREFULLY BEFORE STARTING INSTALLATION.
2. Start installation from under the Driver/Left side inner rocker panel. Locate the threaded mounting holes in the rocker panel, **(Figure 1)**. Remove the plastic plugs covering the mounting holes.

3. Select (1) Front Mounting Bracket, **(Figure 2)**. Attach the Bracket to the threaded holes in the front location with (2) 10mm Hex Bolts, (2) 10mm Lock Washers and (2) 10mm Flat Washers, **(Figures 2 & 3)**. Do not tighten hardware at this time.
4. Select (1) Plastic Cover. Attach the Cover to Mounting Bracket with (2) Retaining Clips, **(Figure 4)**. **NOTE:** Push Clip into hole in Cover and Bracket. Push center pin in to expand and lock Clip in hole.
5. Move to the center mounting location, **(Figure 5)**. Select (1) Center/Rear Mounting Bracket. Attach Bracket to threaded holes with (2) 10mm Hex Bolts, (2) 10mm Lock Washers and (2) 10mm Flat Washers, **(Figure 6)**. Do not tighten hardware at this time.
6. Repeat **Step 4** to install (1) Plastic Cover on the center Bracket.
7. Move to the rear mounting location, **(Figure 7)**. Repeat **Steps 2—6** to install the Rear Mounting Bracket and Cover.
8. Unwrap the Driver/Left Sidebar. Attach Sidebar to the mounting Brackets with (6) 8mm Combo Bolts. Do not tighten hardware at this time, **(Figure 8)**. **IMPORTANT:** Do not slide Sidebar on brackets, or damage to the finish may result.
9. Level and adjust Sidebar and tighten all hardware.
10. Repeat **Steps 2—9** for Passenger/Right side installation.
11. Do periodic inspections to the installation to make sure that all hardware is secure and tight.

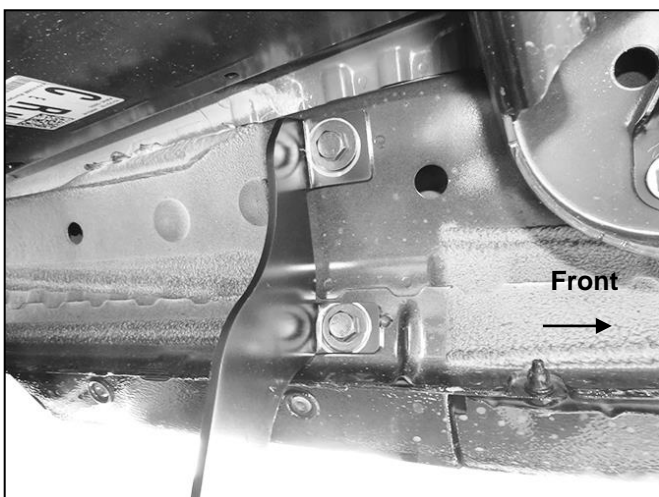
### Driver/Left side Installation Pictured



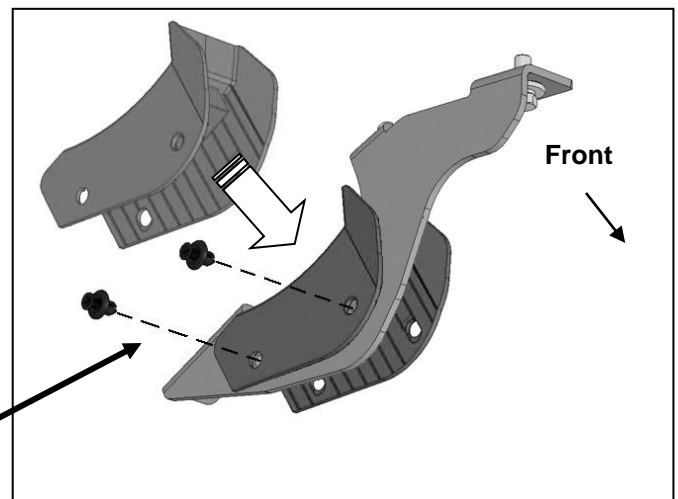
**(Fig 1) Driver/Left front mounting location**



**(Fig 2) Driver/Left Front Mounting Bracket installation**

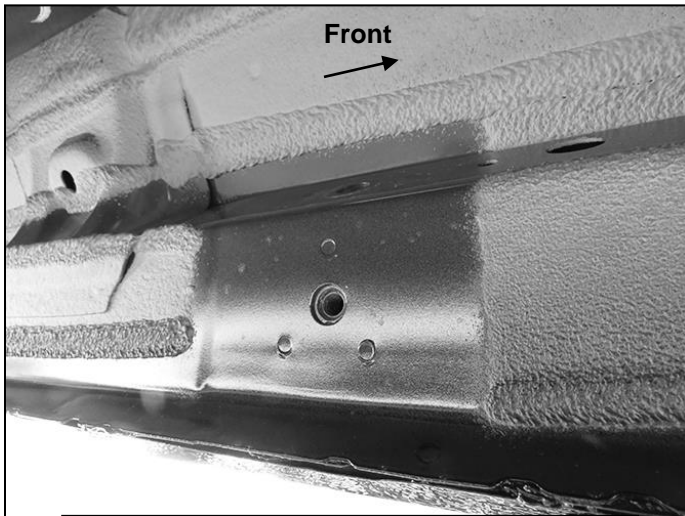


**(Fig 3) Driver/Left Front Bracket installed**



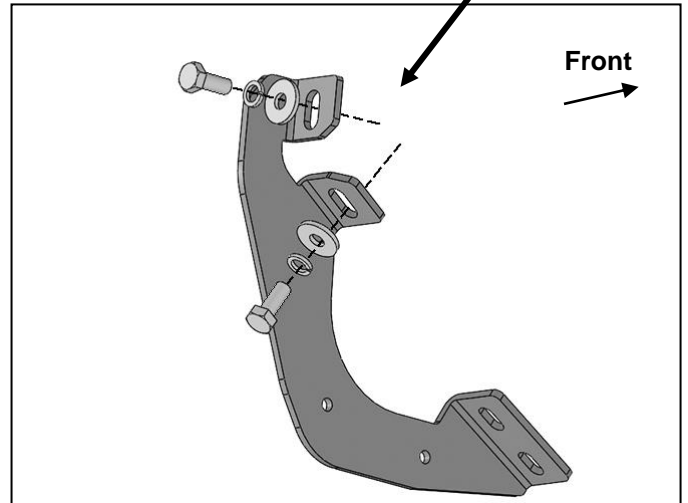
**(Fig 4) Attach Plastic Cover to Bracket**

## Driver/Left side Installation Pictured

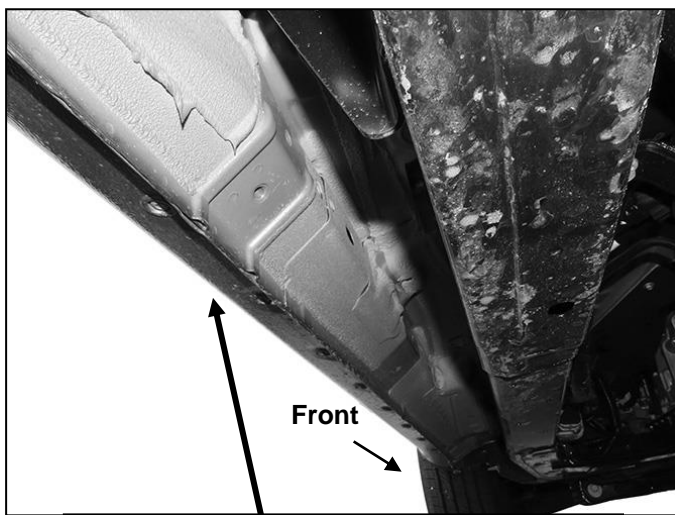


(Fig 5) Driver/Left Center mounting location

(2) 10mm Hex Bolts  
(2) 10mm Lock Washers  
(2) 10mm Flat Washers

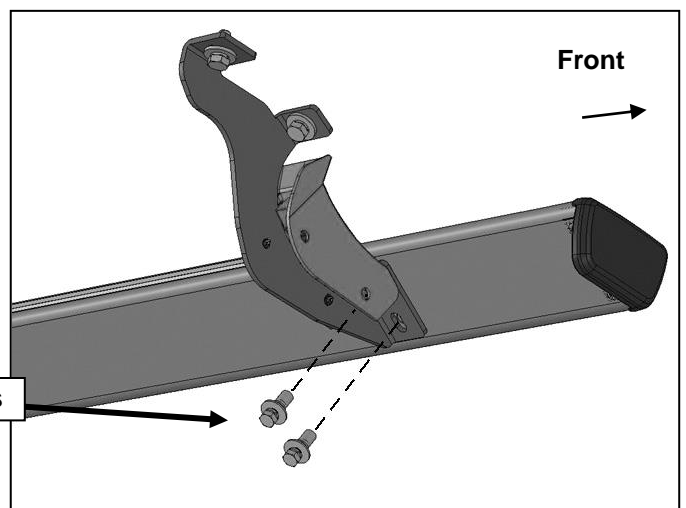


(Fig 6) Example of Driver/Left Center and Rear mounting Bracket installation



(Fig 7) Driver/Left Rear mounting location

(2) 8mm Combo Bolts

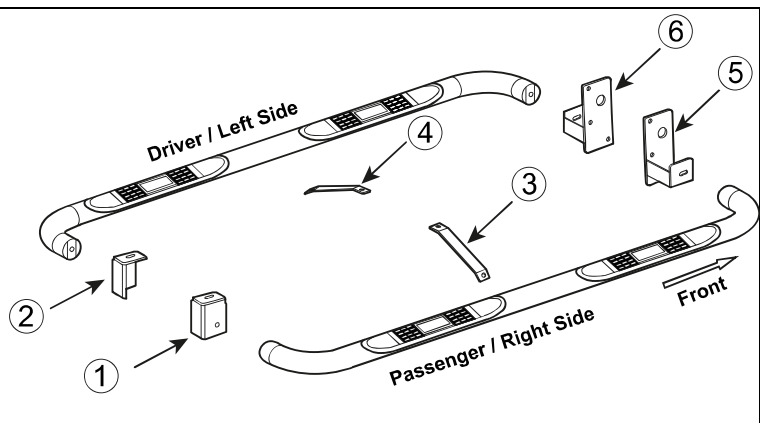


(Fig 8) Attach Driver/Left Sidebar to Mounting Brackets (Driver/left front illustrated)

No.	Parts Identification
1	Passenger / Right 'Rear' Bracket marked "PR"
2	Driver / Left 'Rear' Bracket marked "DR"
3	Passenger / Right 'Center' Bracket marked "PC"
4	Driver / Left 'Center' Bracket marked "DC"
5	Passenger / Right 'Front' Bracket marked "PF"
6	Driver / Left 'Front' Bracket marked "DF"

**Note:**

- This guide is to identify the parts and not a reference for part count.
- For part count, refer Parts List.
- Product / Bracket image is representative and actual design may vary.



## PRODUCT CARE

- Periodically check the product to ensure all fasteners are tight and components are intact.
- Regular waxing is recommended to protect the finish of the product.
- **Use ONLY Non-Abrasive automotive wax.** Use of any soap, polish or wax that contains an abrasive is detrimental and can scratch the finish leading to corrosion.
- Aluminum polish may be used to polish small scratches and scuffs for **Stainless Steel finish.**
- Mild soap may be used to clean the product for both **Stainless Steel and Black finish.**

## FAQ's

- 1. Hardware's are not of correct size.**  
*In GMC / Chevrolet truck model 2006 & up, customer needs to reuse the factory body bolts to install the bracket. If your vehicle is not GMC / Chevrolet 2006 & up, ensure that holes are not partially covered with any plastic grommet or rust? If it is, remove the plastic grommet & rust from the thread holes & re-try the installation.*
- 2. Mounting Bracket are not getting Installed properly.**  
*In some cases Illustration images shown in Installation manual may not be the exactly same as per actual vehicle images ,also if Driver / Passenger side mounting brackets are very identical in the design, suggest referring Parts Identification guide to avoid fitment issue.*
- 3. Products are thumping / rattling after installation.**  
*Ensure that all required mounting brackets / hardware's are installed & tighten correctly. Suggest using white lithium / regular grease between the metal to metal contact surfaces.*
- 4. Side Bar is not aligning with vehicle / Step Pads are not aligning with vehicle doors.**  
*Side bar may be interchanged or mounting brackets are not installed at the correct position in the vehicle. Refer Parts identification guide.*
- 5. Missing / Excess Hardware.**  
*Recheck hardware count as per the part list.*
- 6. Product not installing properly.**  
*Ensure make model year, cab length and bed size of your vehicle is listed in the application. All installation steps are followed correctly.*

## Check out these other TrailFX Products!!



Keystone Automotive Operations Inc. (KAO) warrants this product to be free of defects in material and workmanship at the time of purchase by the original retail consumer. KAO disclaims any other warranties, express or implied, including the warranty of fitness for a particular purpose or an intended use. If the product is found to be defective, KAO may replace or repair the product at our option, when the product is returned prepaid, with proof of purchase. Alteration to, improper installation, or misuse of this product voids the warranty. KAO's liability is limited to repair or replacement of products found to be defective, and specifically excludes liability for any incidental or consequential loss or damage.