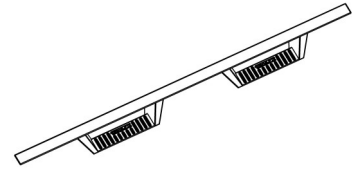




TrailFX Drop Down Step

Part No. DHS022B

Product image



Fits: Ford Ranger SuperCrew 2019



TO AVOID BEING SCRATCHED, PLEASE PROTECT THE SURFACE OF THE TAILGATE VENT COVER CAREFULLY.



REMOVE CONTENTS FROM BOX. VERIFY ALL PARTS ARE PRESENT.



READ INSTRUCTIONS CAREFULLY BEFORE STARTING INSTALLATION.



ALIGN THE STEP BARS AS DESIRED AND TIGHTEN ALL M10 FASTENERS TO 30 ft. - lbs.



60 min



Cutting Not Required

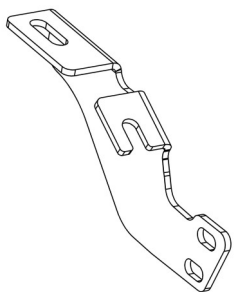


Drilling Not Required

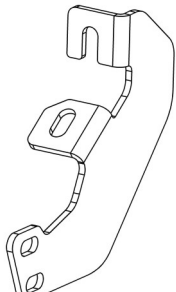
PARTS LIST:

Item	Qty	Part Description	Tools Needed
1	1	Step Bar Driver Side	14 MM SOCKET & WRENCH
2	1	Step Bar Passenger Side	15 MM SOCKET & WRENCH
3	1	Front Mounting Bracket Driver Side	16 MM SOCKET & WRENCH
4	1	Front Mounting Bracket Passenger Side	RATCHET
5	1	Center Mounting Bracket Driver Side	TORQUE WRENCH
6	1	Center Mounting Bracket Passenger Side	
7	1	Rear Mounting Bracket Driver Side	
8	1	Rear Mounting Bracket Passenger Side	
9	12	M10 Bolt	
10	12	M10 Lock Washer	
11	12	M10 Flat Washer	
12	12	M10 Flange Bolt	
13	12	M10 Flange Nut	

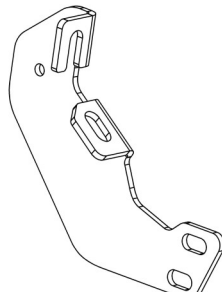
Mounting Kit Images



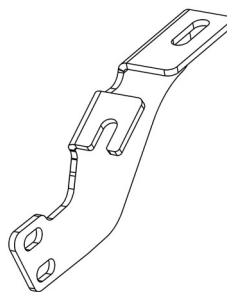
Item 3



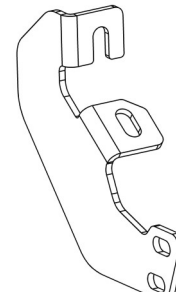
Item 5



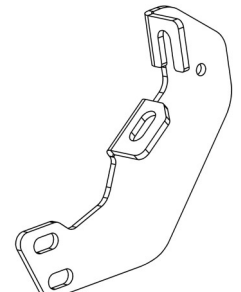
Item 7



Item 4

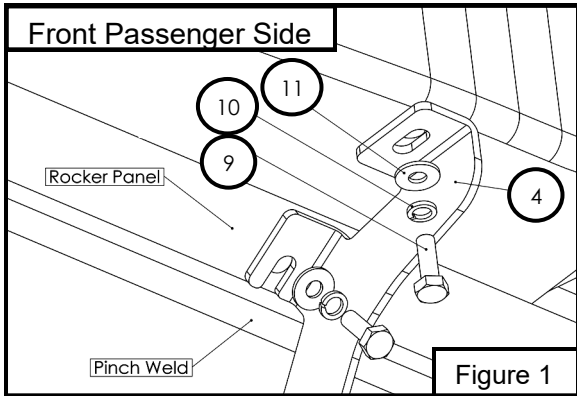


Item 6

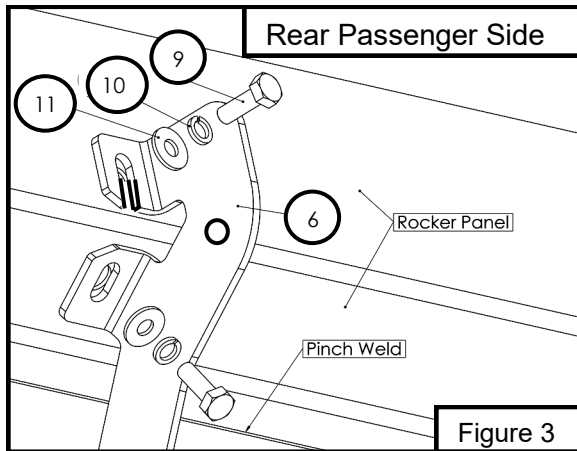
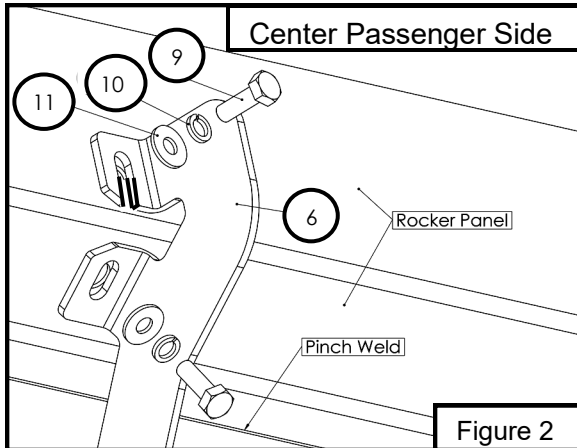


Item 8

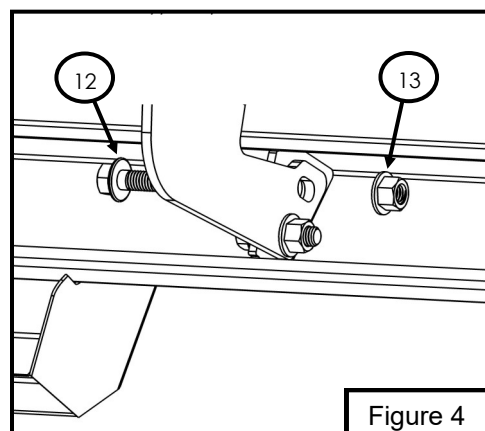
INSTALLATION PROCEDURE

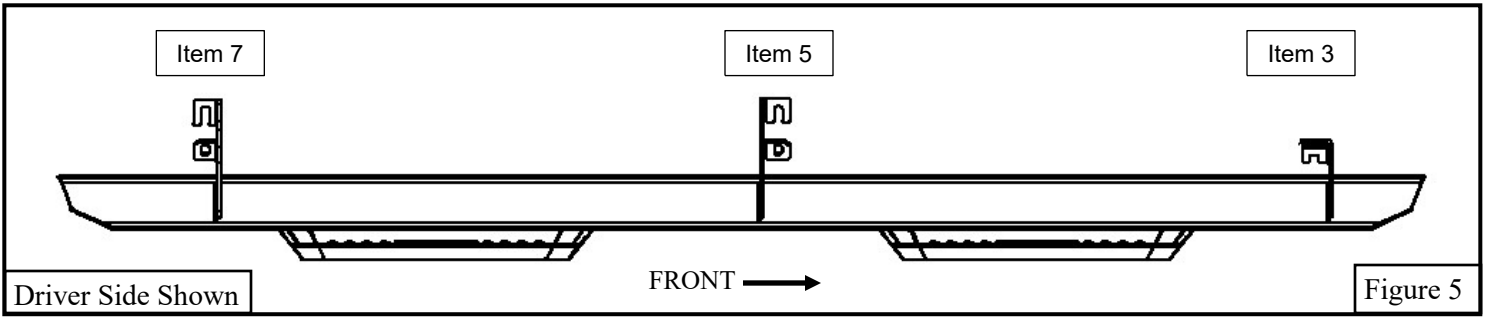


1. Start at the front passenger side of vehicle and grab Front Passenger Side Mount Bracket. Use (2) M10 hex head bolts, (2) M10 flat washer, and (2) M10 lock washer to loosely mount bracket to rocker panel. See **Figure 1**.
2. Repeat for center and rear locations. See **Figure 2 & 3**.
3. Repeat for driver side.



4. Grab Passenger Side Bar and install to loosely mount brackets with (6) M10 Flange bolts and (6) Serrated Flange Nuts. See **Figure 4**.
5. Repeat for driver side.
6. Align and adjust the step bars as needed and tighten all hardware.
7. See **Figure 5** for reference,





PRODUCT CARE

1. Periodically check the product to ensure all fasteners are tight and components are intact.
2. Mild soap may be used to clean the product.

FAQ's

1. **Mounting bracket are not getting Installed properly.**
In some cases Illustration images shown in Installation manual may not be the exactly same as per actual vehicle images ,also if Driver / Passenger side mounting brackets are very identical in the design, suggest referring Parts Identification guide to avoid fitment issue.
2. **Products are thumping / rattling after installation.**
Please ensure that all required mounting brackets / hardware's are installed & tighten correctly. Suggest using white lithium / regular grease between the metal to metal contact surfaces.
3. **Missing / Excess Hardware.**
Recheck hardware count as per the part list.
4. **Product not installing properly.**
Ensure make model year, cab length and bed size of your vehicle is listed in the application. All installation steps are followed correctly.

Check out these other TrailFX Products!!



Keystone Automotive Operations Inc. (KAO) warrants this product to be free of defects in material and workmanship at the time of purchase by the original retail consumer. KAO disclaims any other warranties, express or implied, including the warranty of fitness for a particular purpose or an intended use. If the product is found to be defective, KAO may replace or repair the product at our option, when the product is returned prepaid, with proof of purchase. Alteration to, improper installation, or misuse of this product voids the warranty. KAO's liability is limited to repair or replacement of products found to be defective, and specifically excludes liability for any incidental or consequential loss or damage.