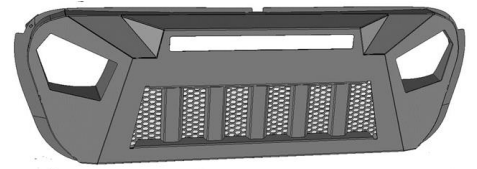




ALUMINUM GRILLE

Part No. JL09T



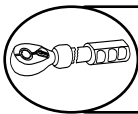
Fits: 2018-Current JEEP Wrangler JL



REMOVE CONTENTS FROM BOX. VERIFY ALL PARTS ARE PRESENT.



READ INSTRUCTIONS CAREFULLY BEFORE STARTING INSTALLATION.



DO NOT OVER TORQUE. STANDARD OPERATING LOAD FOR TIGHTEN BODY MOUNT NUTS & BOLTS VARIES FROM 45 TO 65 FOOT POUND.



60-180 min



Cutting Not Required

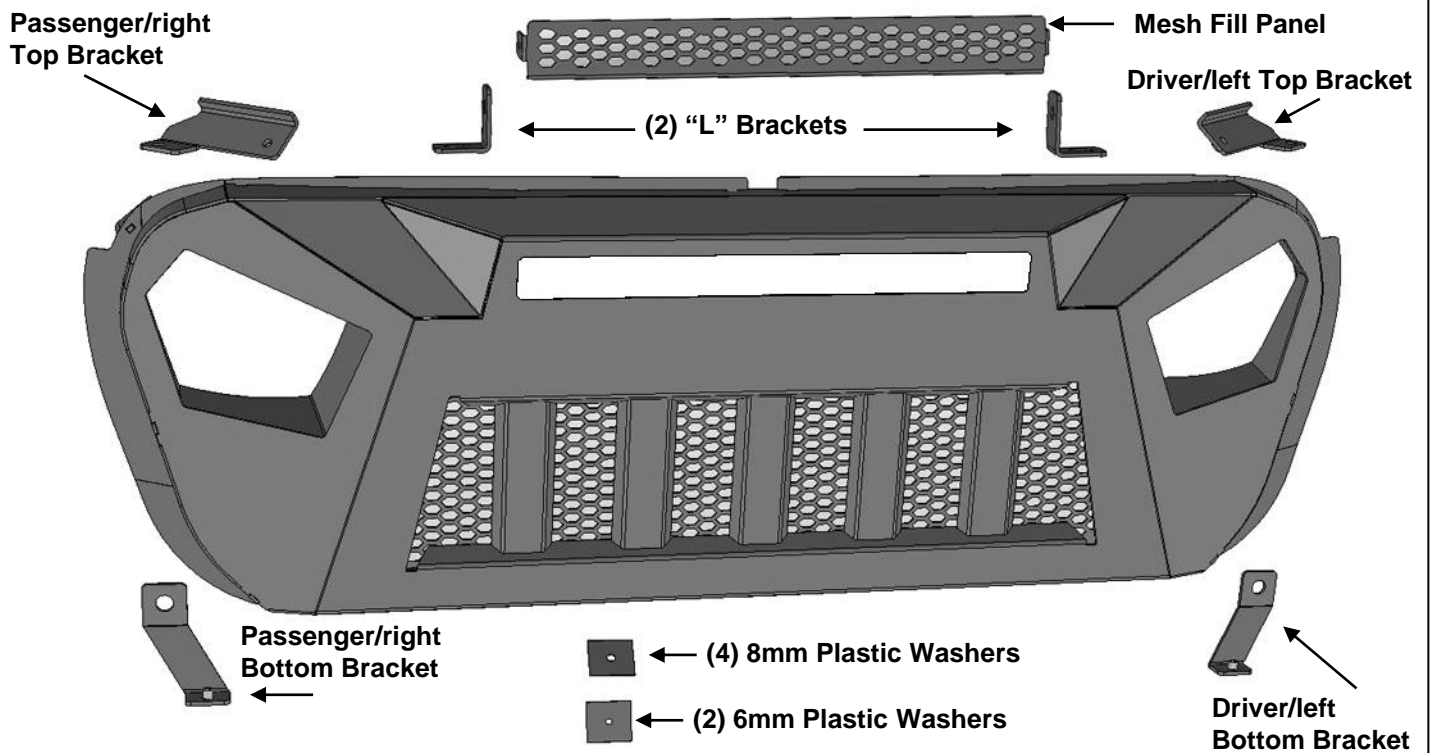


Drilling Not Required

PARTS LIST:

PARTS LIST:

Qty	Part Description	Qty	Part Description
1	Front Grille Assembly	4	8mm Lock Washers
1	Mesh Fill Panel	2	8mm Hex Nuts
2	"L" Brackets	2	6-1.00mm x 20mm Button Head Bolts
1	Driver/left Top Mounting Bracket	2	6-1.00mm x 20mm Hex Bolts
1	Passenger/right Top Mounting Bracket	2	6-1.00mm x 16mm Hex Bolts
1	Driver/left Bottom Mounting Bracket	2	6mm x 12mm x 1.6mm Small Flat Washers
1	Passenger/right Bottom Mounting Bracket	4	6mm x 18mm x 1.6mm STD Flat Washers
4	8mm Plastic Washers	4	6mm Lock Washers
2	6mm Plastic Washers	2	6-1.00mm Hex Nuts
4	8-1.25mm x 25mm Hex Bolts	1	4mm Wrench
6	8mm x 24mm x 2mm Flat Washers		



PROCEDURE:

REMOVE CONTENTS FROM BOX. VERIFY ALL PARTS ARE PRESENT. READ INSTRUCTIONS CAREFULLY BEFORE STARTING INSTALLATION. ASSISTANCE IS RECOMMENDED.

1. Open hood on vehicle. Remove clips attaching front grille to top of radiator support, **(Figure 1)**.
2. Once all "push-in" fasteners have been removed, firmly pull grille straight out from vehicle to release the clips on the back of the grille, **(Figure 2)**.
3. Move to the top of the passenger/right side of the grille opening. Temporarily remove the forward factory hex bolt attaching the radiator support to the top of the fender, **(Figure 3)**.
4. Select the passenger/right Top Bracket, **(Figure 4)**. Reuse the factory hex bolt to attach the Top Bracket to the top of the radiator support, **(Figure 5)**. Do not tighten hardware at this time.
5. Move down to the front body mount and frame. Temporarily remove the outer factory hex bolt attaching the front inner fender reinforcement to the lower radiator crossmember, **(Figure 6)**.
6. Select the passenger/right Lower Bracket, **(Figure 7)**. Reuse the factory hex bolt to attach the Bracket to the front of the crossmember, **(Figure 8)**. Do not tighten hardware at this time.
7. Repeat **Steps 3—6** to install the driver/left Top and Bottom Brackets.
8. Carefully unwrap the Aluminum Grille. Select (1) "L" Bracket and (1) 8mm Square Plastic Washer. Place the Plastic Washer on top of the mounting tab on the back of the Grille, **(Figure 9)**.
9. Attach the "L" Bracket to the top of the Plastic Washer and mounting tab with the included (1) 8mm x 25mm Hex Bolt, (2) 8mm Flat Washers, (1) 8mm Lock Washer and (1) 8mm Hex Nut, **(Figure 9)**. Repeat previous Steps to attach the remaining "L" Bracket on the driver/left side of the Grille. **NOTE:** Square Plastic Washers are included to reduce corrosion between the aluminum Mesh Panel, Grille and the steel brackets. Use is recommended.
10. Determine if bar style LED light (available separately) or Mesh Fill Panel will be attached to back of Grille at this time:

LED Bar Style Light Installation (light available separately)

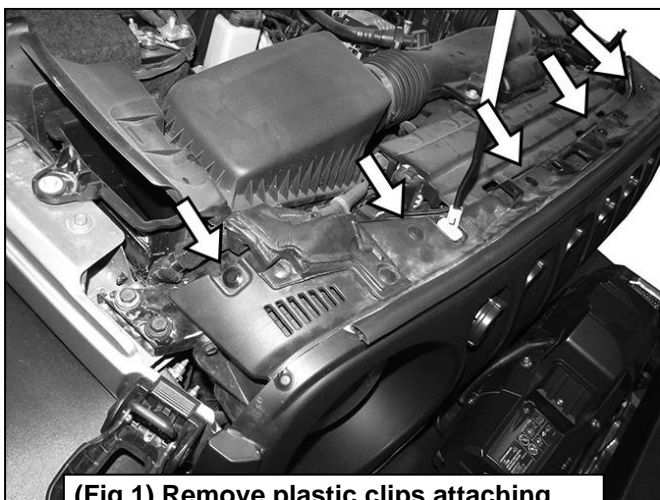
- a. Select the LED bar light, (not included). Attach the light to the "L" Brackets with the hardware supplied with the light or the included (2) 6mm x 16mm Hex Bolts, (2) 6mm Lock Washers and (2) 6mm x 18mm STD Flat Washers, **(Figures 10 & 11)**.
- b. Adjust light and tighten hardware.
- c. Follow instructions included with the light to attach to vehicle electrical system.

Fill Panel Installation (no light installed)

- a. Select the Mesh Fill Panel, (light cannot be installed with Mesh Panel). Attach the Fill Panel to the "L" Brackets with the included (2) 6mm x 25mm Hex Bolts, (4) 6mm x 18mm STD Flat Washers, (2) 6mm Lock Washers and (2) 6mm Hex Nuts, **(Figure 10)**.

11. With assistance, carefully place the Grille over the Top Brackets. Slide (1) 8mm Plastic Washer between the passenger/right mounting tab on the Grille and the top of the Bracket. Attach the Grille to the passenger/right Bracket with the included 8mm x 25mm Hex Bolt, 8mm Lock Washer and 8mm Flat Washer, **(Figures 12 & 13)**. Leave hardware loose. Repeat this Step to attach the Grille to the driver/left Top Bracket. **NOTE:** Square Plastic Washers are included to reduce corrosion between the Grille and steel brackets. Use is recommended.
12. Line up the bottom of the Grille under the Bottom Brackets. Slide (1) 6mm Plastic Washer between the passenger/right Bottom Bracket and the inside of the Grille. Attach the Grille to the passenger/right Bottom Bracket with the included 6mm x 20mm Button Head Bolt, 6mm Lock Washer and 6mm x 12mm Small Flat Washer, **(Figures 14 & 15)**. Leave hardware loose. Repeat this Step to attach the Grille to the driver/left side Bottom Bracket.
13. Stand back from the vehicle and check to see that the Grille is centered and level on the vehicle and adjust as required. Once properly aligned, fully tighten all hardware.
14. Do periodic inspections of the installation to make sure that all hardware is secure and tight.

To protect your investment, Do not use any type of polish or wax that may contain abrasives that could damage the finish. Mild soap may be used to clean the Grille.



(Fig 1) Remove plastic clips attaching top of grille to radiator support (arrows)

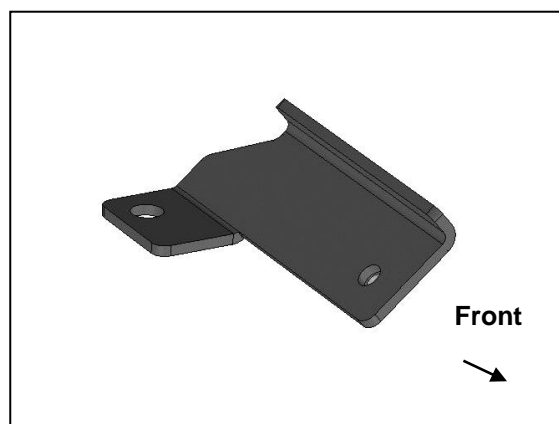


(Fig 2) Pull grille straight out from vehicle to release plastic grille from clips

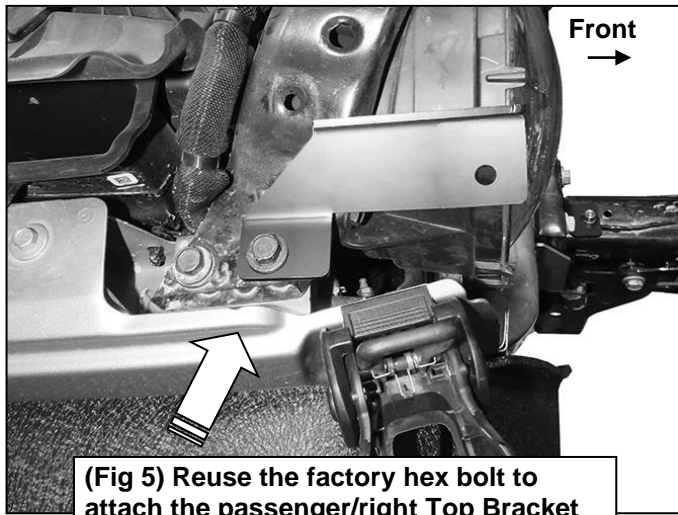
Driver/left Side Installation Pictured



(Fig 3) Remove the front factory hex bolt from the top of the radiator support (arrow)



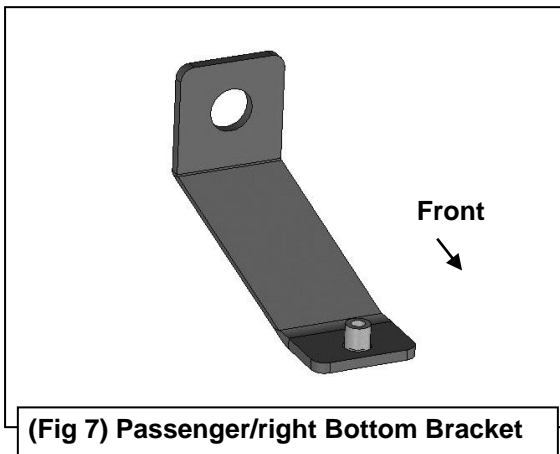
(Fig 4) Passenger/right Top Bracket



(Fig 5) Reuse the factory hex bolt to attach the passenger/right Top Bracket to the top of the radiator support (arrow)



Front

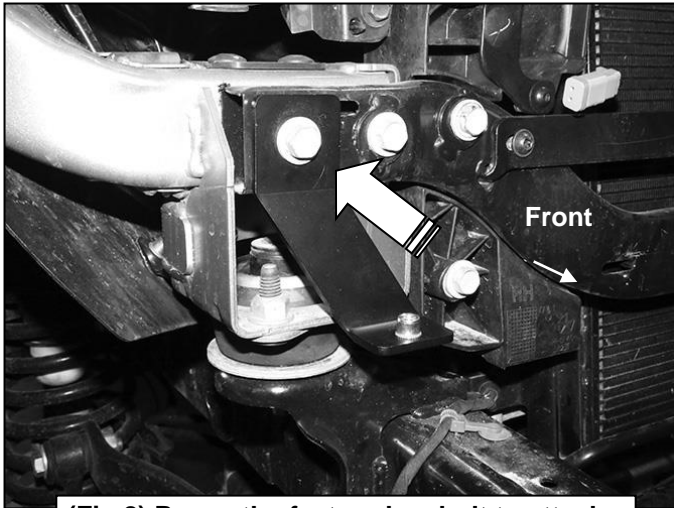


(Fig 7) Passenger/right Bottom Bracket



(Fig 6) Remove outer factory hex bolt from the front of crossmember (arrow)

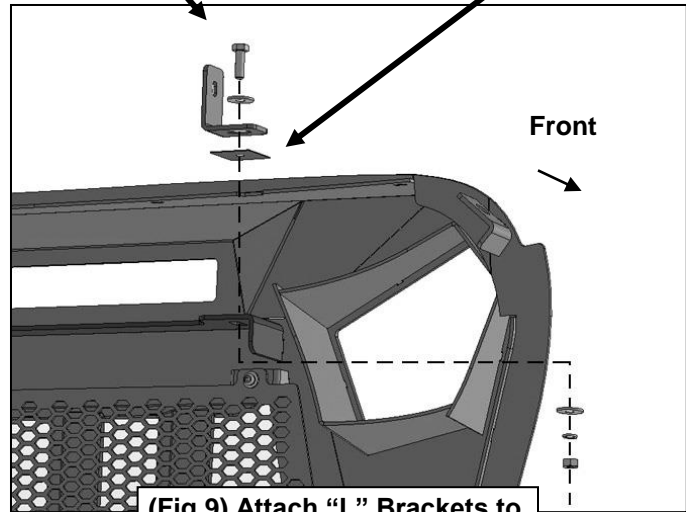
Driver/left Side Installation Pictured



(Fig 8) Reuse the factory hex bolt to attach the passenger/right Bottom Bracket to the front of the crossmember (arrow)

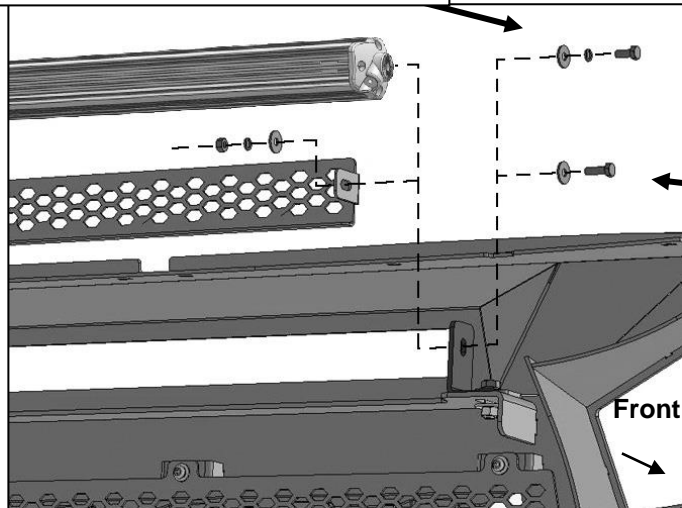
- (2) 8mm x 25mm Hex Bolts
- (4) 8mm Flat Washers
- (2) 8mm Lock Washers
- (2) 8mm Hex Nuts

Insert 8mm Plastic Washer between "L" Bracket and mounting tab on back of Grille



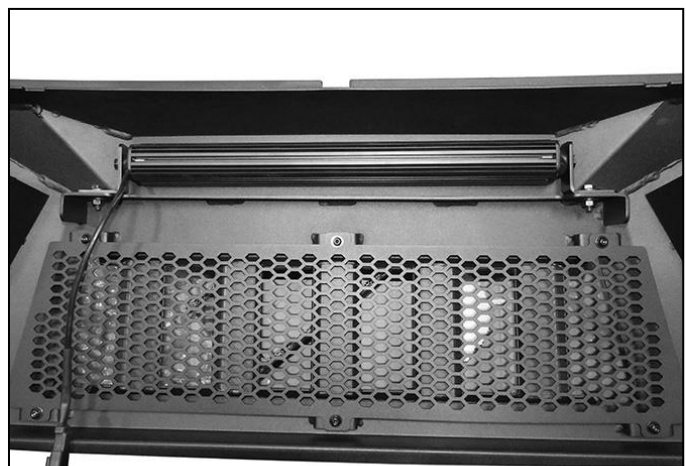
(Fig 9) Attach "L" Brackets to mount on back of Grille

- Attach light with:**
- (2) 6mm x 16mm Hex Bolts
 - (2) 6mm Lock Washers
 - (2) 6mm x 18mm STD Flat Washers



(Fig 10) Attach either the included Mesh Fill Panel or bar style LED light (light available separately) to "L" Brackets before installing Grille

- Attach Fill Panel with:**
- (2) 6mm x 20mm Hex Bolts
 - (4) 6mm x 18mm STD Flat Washers
 - (2) 6mm Lock Washers
 - (2) 6mm Hex Nuts

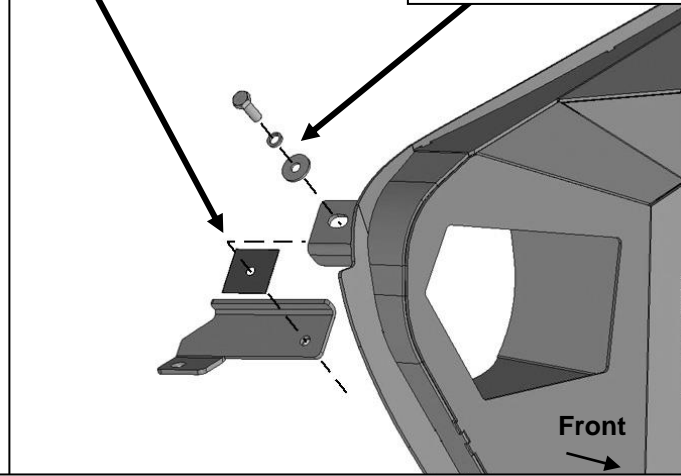


(Fig 11) Example of bar style LED light installation in back of Grille (light available separately)

Driver/left Side Installation Pictured

8mm Plastic Washer

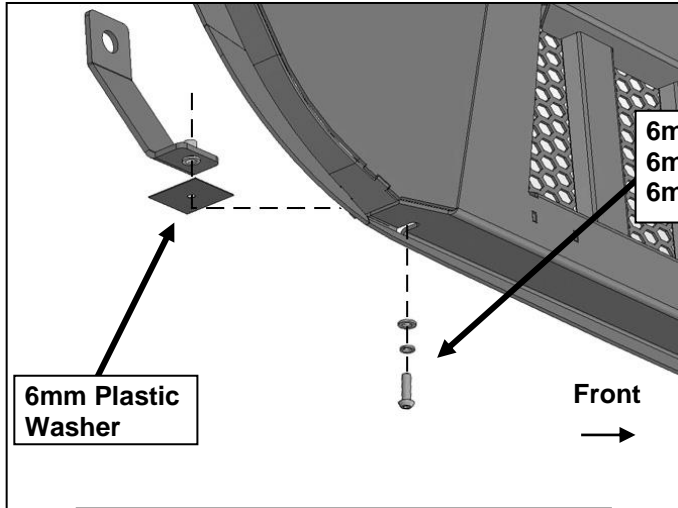
8mm x 25mm Hex Bolt
8mm Lock Washer
8mm Flat Washer



(Fig 12) Attach Grille to passenger/right Top Bracket



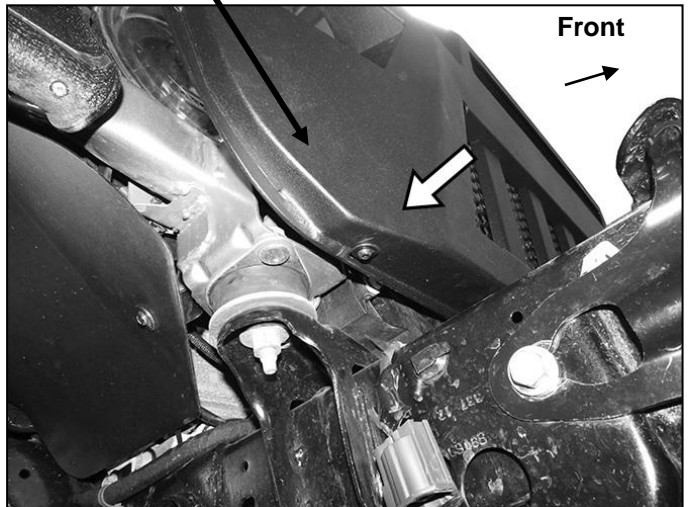
(Fig 13) Attach Grille to passenger/right Top Bracket



(Fig 14) Attach Grille to passenger/right Bottom Bracket

6mm x 20mm Button Head Bolt
6mm Lock Washer
6mm x 12mm Small Flat Washer

6mm Plastic Washer

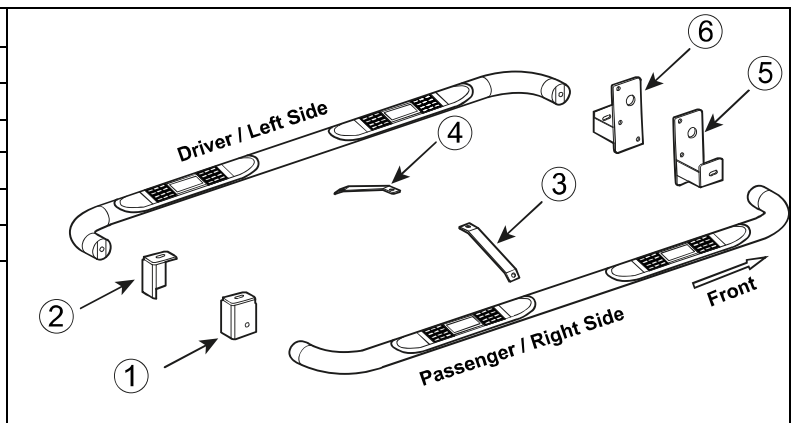


(Fig 15) Attach Grille to passenger/right Bottom Bracket (arrow)

No.	Parts Identification
1	Passenger / Right 'Rear' Bracket marked "PR"
2	Driver / Left 'Rear' Bracket marked "DR"
3	Passenger / Right 'Center' Bracket marked "PC"
4	Driver / Left 'Center' Bracket marked "DC"
5	Passenger / Right 'Front' Bracket marked "PF"
6	Driver / Left 'Front' Bracket marked "DF"

Note:

- This guide is to identify the parts and not a reference for part count.
- For part count, refer Parts List.
- Product / Bracket image is representative and actual design may vary.



PRODUCT CARE

- Periodically check the product to ensure all fasteners are tight and components are intact.
- Regular waxing is recommended to protect the finish of the product.
- **Use ONLY Non-Abrasive automotive wax.** Use of any soap, polish or wax that contains an abrasive is detrimental and can scratch the finish leading to corrosion.
- Aluminum polish may be used to polish small scratches and scuffs for **Stainless Steel finish.**
- Mild soap may be used to clean the product for both **Stainless Steel and Black finish.**

FAQ's

1. Hardware's are not of correct size.

In GMC / Chevrolet truck model 2006 & up, customer needs to reuse the factory body bolts to install the bracket. If your vehicle is not GMC / Chevrolet 2006 & up, ensure that holes are not partially covered with any plastic grommet or rust? If it is, remove the plastic grommet & rust from the thread holes & re-try the installation.

2. Mounting Bracket are not getting Installed properly.

In some cases Illustration images shown in Installation manual may not be the exactly same as per actual vehicle images ,also if Driver / Passenger side mounting brackets are very identical in the design, suggest referring Parts Identification guide to avoid fitment issue.

3. Products are thumping / rattling after installation.

Ensure that all required mounting brackets / hardware's are installed & tighten correctly. Suggest using white lithium / regular grease between the metal to metal contact surfaces.

4. Side Bar is not aligning with vehicle / Step Pads are not aligning with vehicle doors.

Side bar may be interchanged or mounting brackets are not installed at the correct position in the vehicle. Refer Parts identification guide.

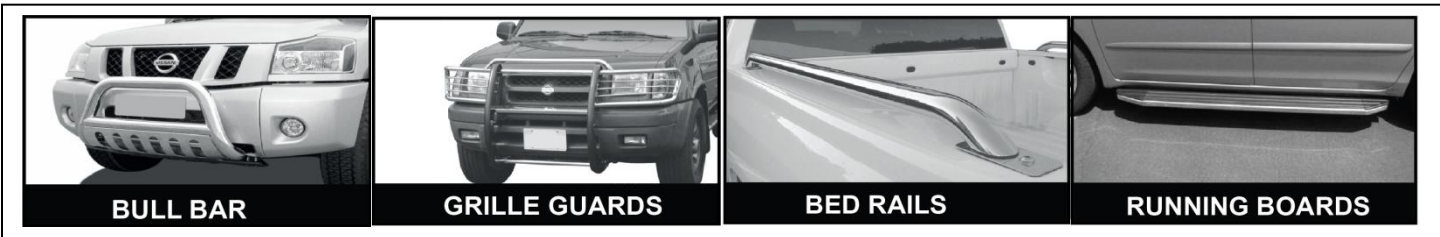
5. Missing / Excess Hardware.

Recheck hardware count as per the part list.

6. Product not installing properly.

Ensure make model year, cab length and bed size of your vehicle is listed in the application. All installation steps are followed correctly.

Check out these other TrailFX Products!!



Keystone Automotive Operations Inc. (KAO) warrants this product to be free of defects in material and workmanship at the time of purchase by the original retail consumer. KAO disclaims any other warranties, express or implied, including the warranty of fitness for a particular purpose or an intended use. If the product is found to be defective, KAO may replace or repair the product at our option, when the product is returned prepaid, with proof of purchase. Alteration to, improper installation, or misuse of this product voids the warranty. KAO's liability is limited to repair or replacement of products found to be defective, and specifically excludes liability for any incidental or consequential loss or damage.