



# OVERLAND RUNNING BOARDS

Assembly, Installation, Operation,  
and Maintenance Instructions

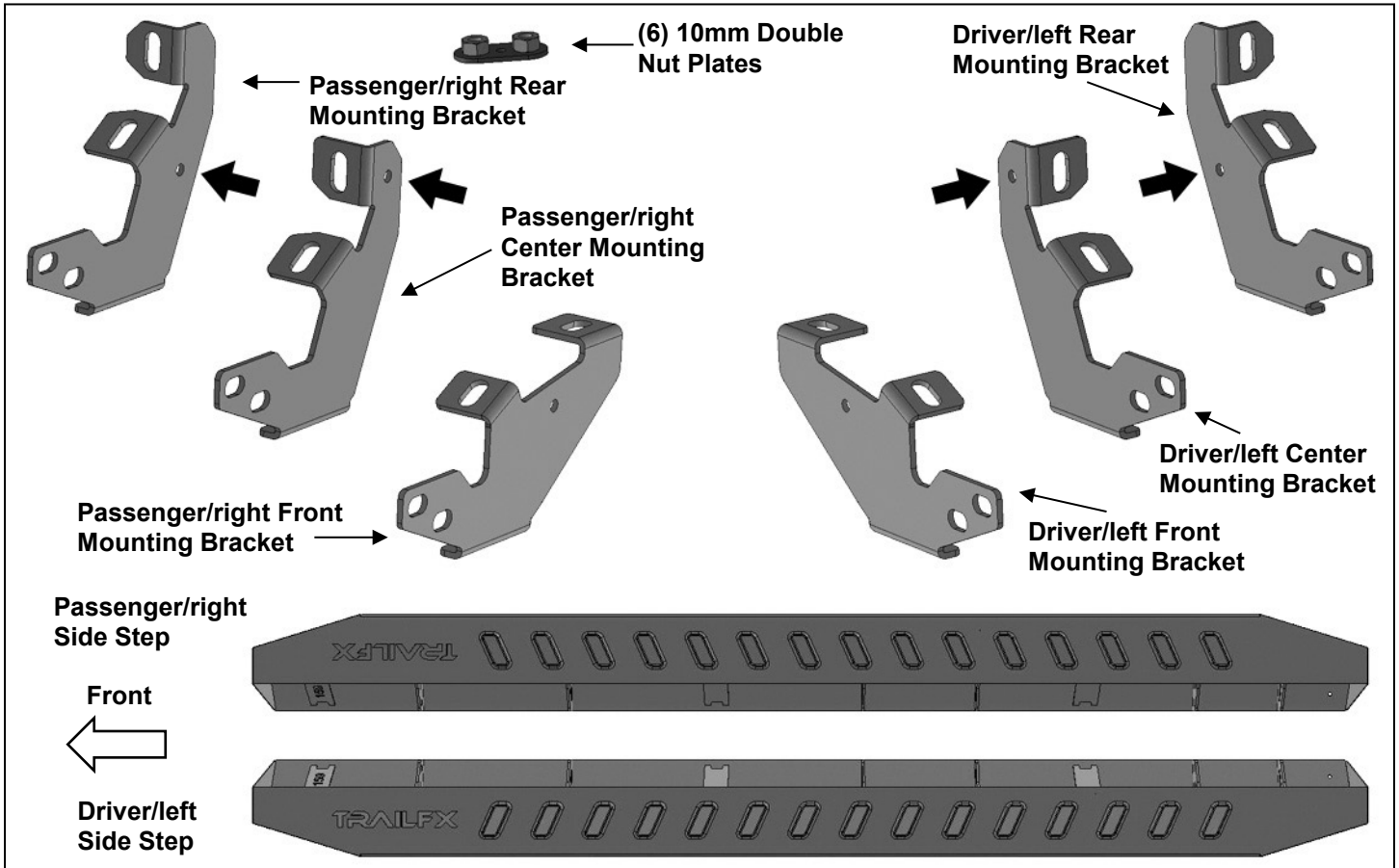
<b>PART NUMBER</b>	<b>ORB008</b>
<b>INSTALL TIME</b>	<b>120 MINUTES</b>

## 2021-2024 FORD BRONCO 4DR

<b>DEALER / INSTALLER</b>	Provide a copy of these instructions to the end user of this product. These instructions provide important operating and safety information for proper usage of this product. Demonstrate the proper use of the product with the end user. Have the end user demonstrate that they understand the proper use of the product.
<b>END USER</b>	Read and follow all instructions included in this manual. Ask your Dealer/Installer for assistance if you do not understand the proper use of the product. Never remove any decals from the product. Failure to follow these instructions can result in injury or death.

### PACKAGE CONTENTS

DRIVER/LEFT SIDE STEP	1	PASSENGER/RIGHT REAR MOUNTING BRACKET	1
PASSENGER/RIGHT SIDE STEP	1	10mm DOUBLE NUT PLATES	6
DRIVER/LEFT FRONT MOUNTING BRACKET	1	10-1.50mm X 30mm HEX BOLTS	24
PASSENGER/RIGHT FRONT MOUNTING BRACKET	1	10mm X 20mm X 3mm SMALL FLAT WASHERS	12
DRIVER/LEFT CENTER MOUNTING BRACKET	1	10mm X 27mm X 3mm STD FLAT WASHERS	12
PASSENGER/RIGHT CENTER MOUNTING BRACKET	1	10mm LOCK WASHERS	12
DRIVER/LEFT REAR MOUNTING BRACKET	1		



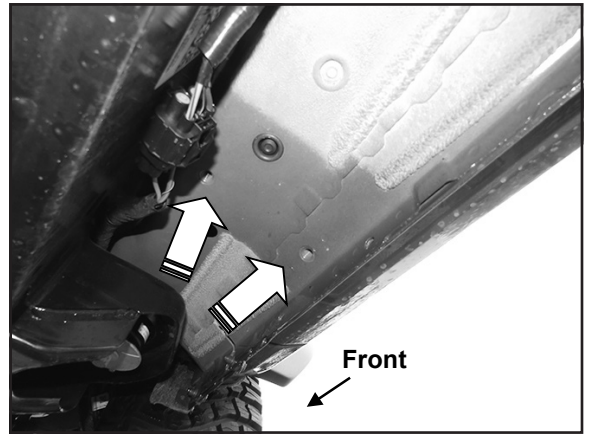
# PROCEDURE

1. REMOVE CONTENTS FROM BOX. VERIFY ALL PARTS ARE PRESENT. READ INSTRUCTIONS CAREFULLY BEFORE STARTING INSTALLATION.

2. Start installation along the bottom of the Passenger/right side of the vehicle. Move to the front mounting location close to the front wheel opening and locate the threaded holes in the body panel, **(Figure 1)**. Remove the plastic plugs covering the holes.

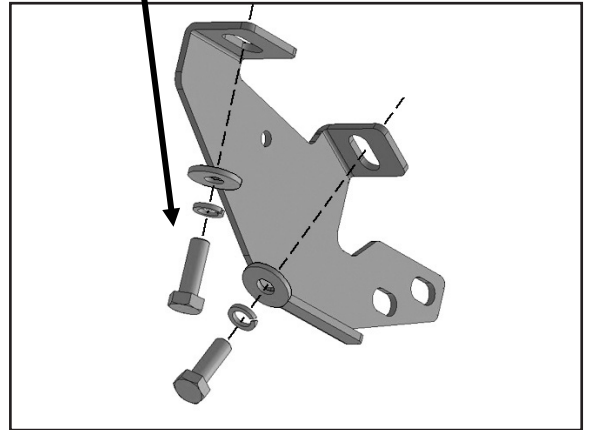
3. Select the Passenger/right Front Mounting Bracket, **(Figure 2)**. Attach the Bracket to the front location with (2) 10mm x 30mm Hex Bolts, (2) 10mm Lock Washers and (2) 10mm x 27mm STD Flat Washers, **(Figures 2 & 3)**. Do not fully tighten hardware.

## Passenger/Right Side Installation Pictured

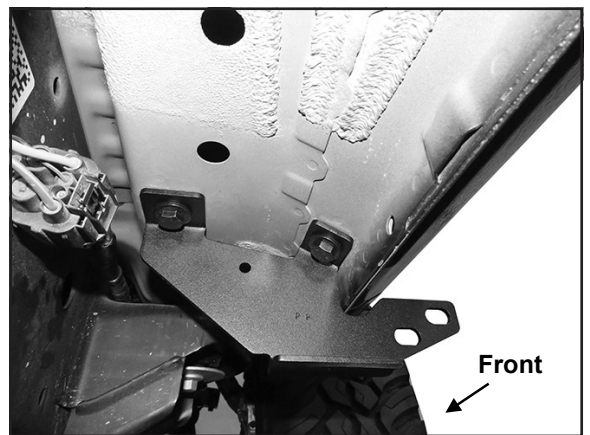


**(Figure 1) Passenger/right front mounting location.**

(2) 10mm x 30mm Hex Bolts  
(2) 10mm Lock Washers  
(2) 10mm x 27mm STD Flat Washers



**(Figure 2) Attach the passenger/right Front Mounting Bracket to the front location.**

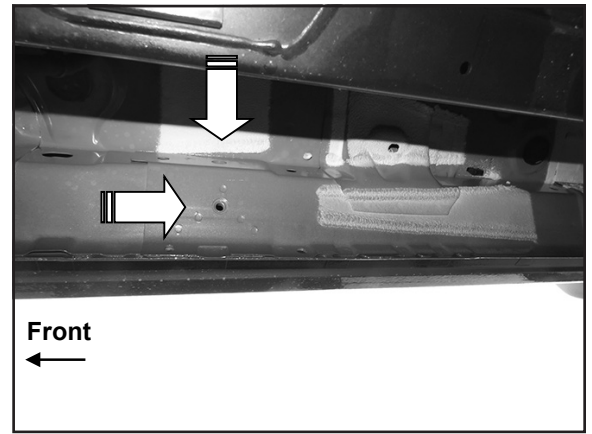


**(Figure 3) Passenger/right Front Mounting Bracket installed.**

## PROCEDURE (CONTINUED)

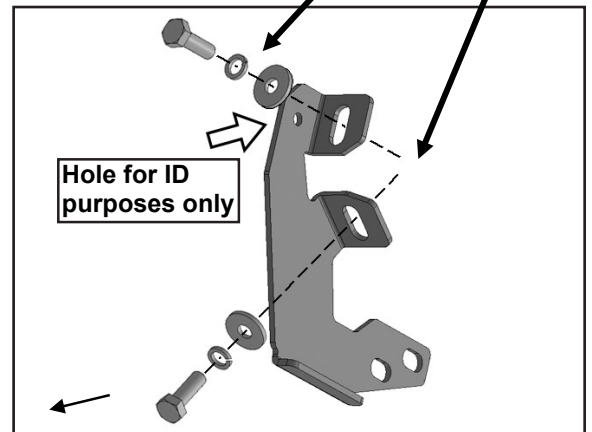
4. Move along the body panel to the center mounting location, **(Figure 4)**. Select the passenger/right Center Bracket, **(Figure 5)**. **IMPORTANT:** The Center and Rear Brackets look similar but are unique. Repeat **Steps 2 & 3** to attach the Bracket to the center location, **(Figures 5 & 6)**. Do not fully tighten hardware at this time.

### Passenger/Right Side Installation Pictured

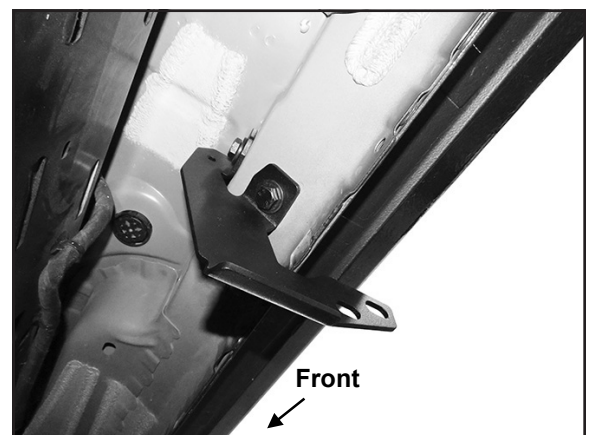


**(Figure 4)** Passenger/right center location.

(2) 10mm x 30mm Hex Bolts  
(2) 10mm Lock Washers  
(2) 10mm x 27mm STD Flat Washers



**(Figure 5)** Attach (1) passenger/right Center Bracket to the center location (note hole in top of Bracket for ID purposes only).

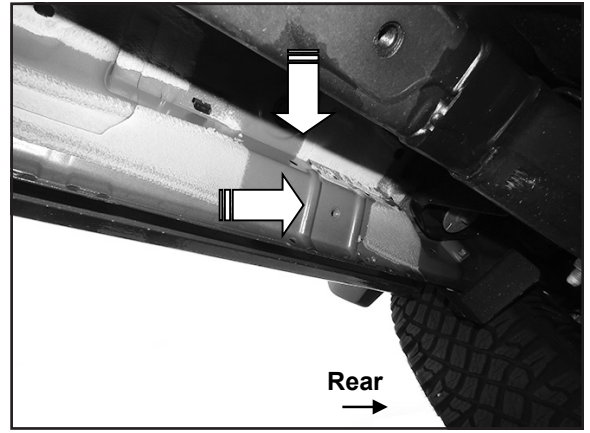


**(Figure 6)** Passenger/right Center Bracket installed.

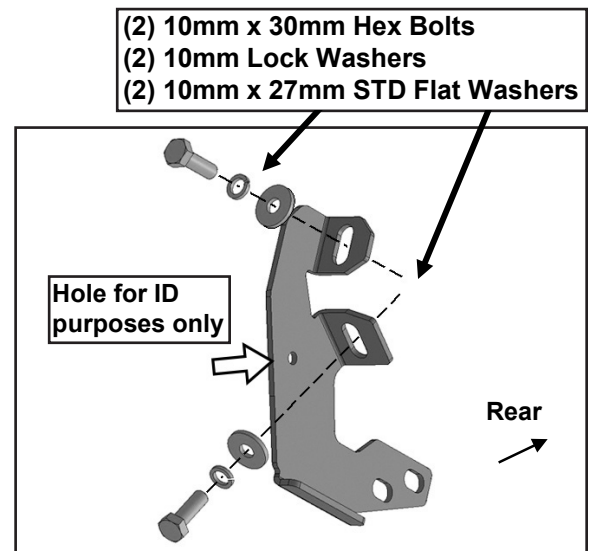
## PROCEDURE (CONTINUED)

5. Continue along the body panel to the rear mounting location, **(Figure 7)**. Select the passenger/rear Bracket, **(Figure 8)**. Repeat **Steps 2-4** to install the passenger/right Rear Bracket, **(Figures 8 & 9)**.

### Passenger/Right Side Installation Pictured



**(Figure 7)** Passenger/right rear mounting location.



**(Figure 8)** Attach (1) passenger/right Rear Bracket to the rear location (note hole in middle of Bracket for ID purposes only).



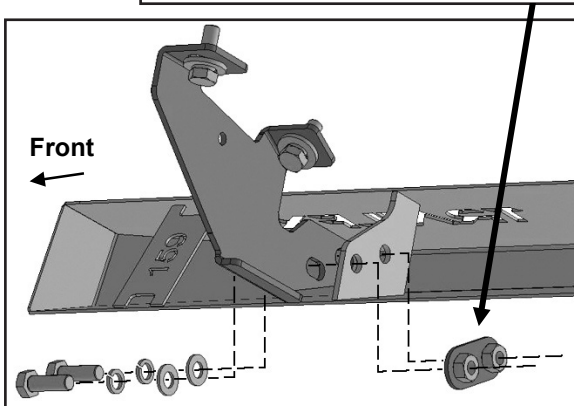
**(Figure 9)** Passenger/right Rear Bracket installed.

## PROCEDURE (CONTINUED)

- Carefully unwrap the Side Steps. Select the passenger/right Side Step. Hold the Side Step up to the rear facing sides of the Mounting Brackets. Attach the Side Step to the Brackets with the included (6) 10mm x 30mm Hex Bolts, (6) 10mm Lock Washers, (6) 10mm x 20mm Small Flat Washers and (3) 10mm Double Nut Plates, (Figures 10-13). Do not tighten fully hardware.
- Level and adjust the Side Step and fully tighten all hardware.
- Repeat **Steps 2-7** to attach the driver/left Side Step.
- Do periodic inspections to the installation to make sure that all hardware is secure and tight.

**To protect your investment;** Do not use any type of polish or wax that may contain abrasives that could damage the finish. Mild soap may be used to clean the Overland Side Steps.

(2) 10mm x 30mm Hex Bolts  
(2) 10mm Lock Washers  
(2) 10mm x 20mm Small Flat Washers  
10mm Double Nut Plate



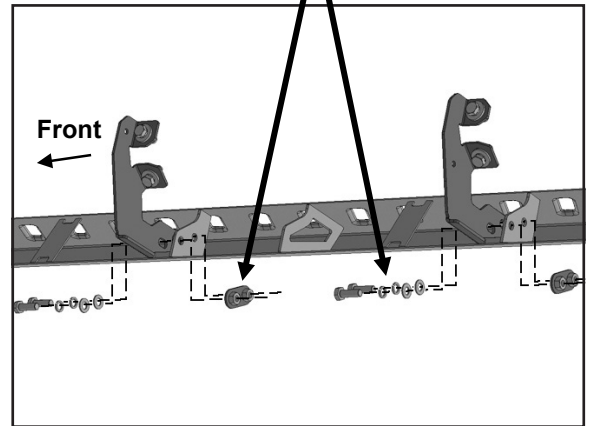
(Figure 10) Attach passenger/right Side Step to back of Front Bracket.



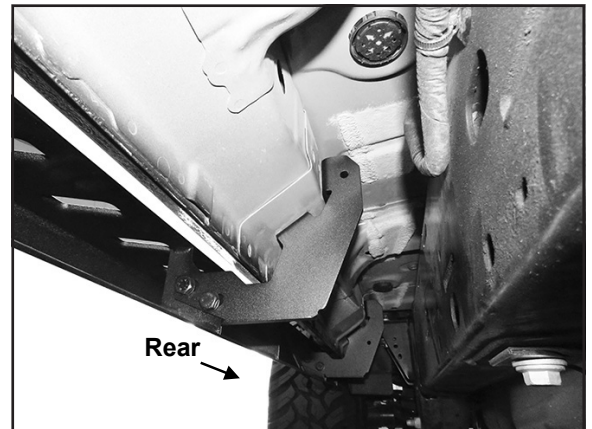
(Figure 11) Passenger/right Side Step attached to Front Mounting Bracket.

## Passenger/Right Side Installation Pictured

(2) 10mm x 30mm Hex Bolts  
(2) 10mm Lock Washers  
(2) 10mm x 20mm Small Flat Washers  
10mm Double Nut Plate



(Figure 12) Attach passenger/right Side Step to back of Center and Rear Brackets.



(Figure 13) Passenger/right Side Step attached to Center and Rear Brackets.



Passenger/right Complete Installation.

## PRODUCT CARE

- Periodically check the product to ensure all fasteners are tight and components are intact.
- Regular waxing is recommended to protect the finish of the product.
- Use ONLY Non-Abrasive automotive wax. Use of any soap, polish or wax that contains an abrasive is detrimental and can scratch the finish leading to corrosion.
- Mild soap may be used to clean the product for Black finish.

## FAQs

<b>Hardware and mounting brackets are not aligning properly.</b>	Ensure that hardware is being used on the correct side of vehicle. In some cases, the hardware may appear the same for driver and passenger side but may alter the alignment of mounting location. Check mounting brackets for both sides.
<b>Products are thumping / rattling after Installation.</b>	Ensure that all required mounting brackets/hardware's are installed & tightened correctly. Suggest using white Lithium/regular grease between metal-to-metal contact.
<b>Missing / Excess Hardware.</b>	Recheck hardware count as per the part list.
<b>Product not installing properly.</b>	Ensure the Year/Make/Model as well as cab and bed dimensions are correct for the application. Review all steps for installation to ensure they were followed correctly.
<b>Who should be contacted for questions regarding product / installation assistance?</b>	<a href="http://www.trailfx.com">www.trailfx.com</a> / <a href="mailto:support@trailfx.com">support@trailfx.com</a> or 1-(866) 638-4870

## CONTACT US

**WEBSITE:** TrailFX.com

**PHONE:** 1-866-638-4870

**EMAIL:** support@trailfx.com

## WARRANTY TERMS

### **Black Powder Coated: Limited 3 Year Warranty**

TrailFX and Keystone Automotive Operations Inc. make no guarantees or warranties for products not manufactured by Keystone Automotive Operations Inc. Such products are covered solely under any applicable warranty of the manufacturer. It is always recommended that the operating instructions and warranty instructions provided by the manufacturer are followed.

Keystone Automotive Operations Inc. warrants its products to be free from manufacturing and material defects to the original purchaser for the length of warranty stated above from the date of retail purchase. If any products are found to have a manufacturing or material defect, the product will be replaced or repaired at the option of TrailFX and Keystone Automotive Operations Inc. with proof of purchase by the original purchaser. The original purchaser shall pay all transportation and shipping costs associated with the return of the defective product and the defective product shall become the property of Keystone Automotive Operations Inc.

This Warranty applies to Keystone Automotive Operations Inc. products used for individual and recreational purposes. Commercial usage of the Keystone Automotive Operations Inc. products limits the warranty to 90 days from the date of purchase.

This Warranty applies only to Keystone Automotive Operations Inc. products which are found to be defective in manufacturing or material. This warranty does not apply to normal wear and tear of the finish placed on Keystone Automotive Operations Inc. products.

TrailFX and Keystone Automotive Operations Inc. are not responsible for any labor costs incurred for removal or replacement of the defective product.

TrailFX and Keystone Automotive Operations Inc. are not responsible for repair or replacement of any product under the limited warranty where the product was improperly installed, misapplied, altered, abused, neglected, overloaded, misused, or damaged as a result of an accident, including any use of the product not in accordance with all products operating and safety instructions.

Without limiting the generality of the foregoing, TrailFX and Keystone Automotive Operations Inc. shall under no circumstances be liable for any incidental or consequential loss or damage whatsoever arising out of, or in any way relating to any such breach of warranty or claimed defect in, or non-performance of the products. Some states do not allow the exclusion or limitation of incidental or consequential damages, so the above exclusion or limitation may not apply to you.

This limited warranty gives you specific legal rights, and you may also have other rights that vary from state to state.