



OVERLAND RUNNING BOARDS

Assembly, Installation, Operation,
and Maintenance Instructions

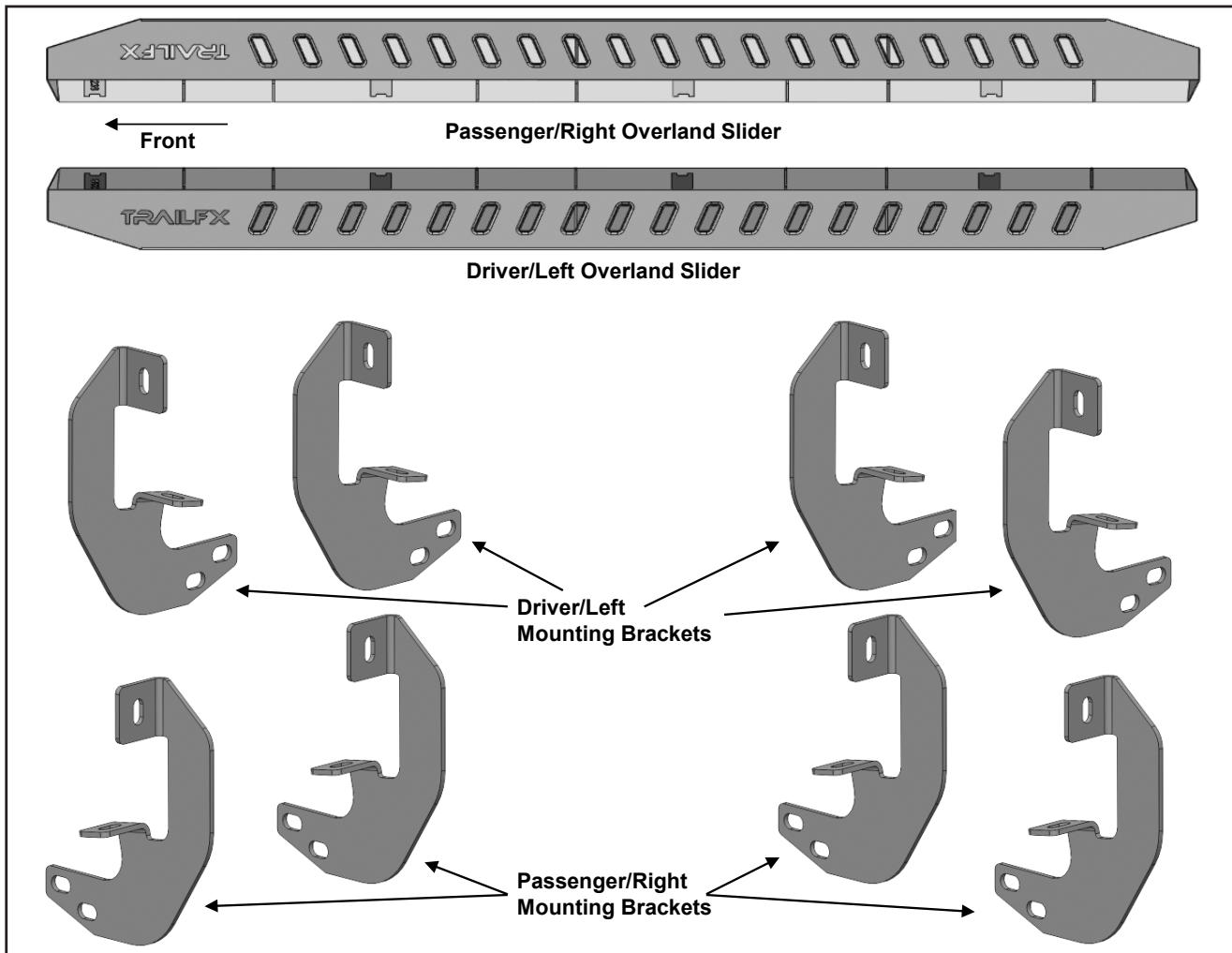
PART NUMBER	ORB012
INSTALL TIME	120 MINUTES

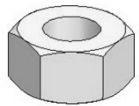
2019-2024 CHEVROLET SILVERADO / GMC SIERRA 1500 2020-2024 CHEVROLET SILVERADO / GMC SIERRA 2500/3500 HD CREW CAB

DEALER / INSTALLER	Provide a copy of these instructions to the end user of this product. These instructions provide important operating and safety information for proper usage of this product. Demonstrate the proper use of the product with the end user. Have the end user demonstrate that they understand the proper use of the product.
END USER	Read and follow all instructions included in this manual. Ask your Dealer/Installer for assistance if you do not understand the proper use of the product. Never remove any decals from the product. Failure to follow these instructions can result in injury or death.

PACKAGE CONTENTS

DRIVER/LEFT OVERLAND BOARD	1	8mm LOCK WASHERS	16
PASSENGER/RIGHT OVERLAND BOARD	1	8mm X 30mm HEX BOLTS	16
DRIVER/LEFT FRAME BRACKETS	4	10mm LOCK WASHERS	16
PASSENGER/RIGHT FRAME BRACKETS	4	8mm X 24mm X 2mm FLAT WASHERS	16
DOUBLE NUT PLATES	8	10mm X 30mm HEX BOLTS	16
10mm X 20mm X 2mm FLAT WASHERS	16		





Hex Nut



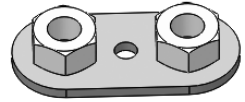
Lock Washer



Flat Washer



Hex Bolt



Double Nut Plate

TOOLS REQUIRED



Ratchet



13 & 15mm Socket



Extensions

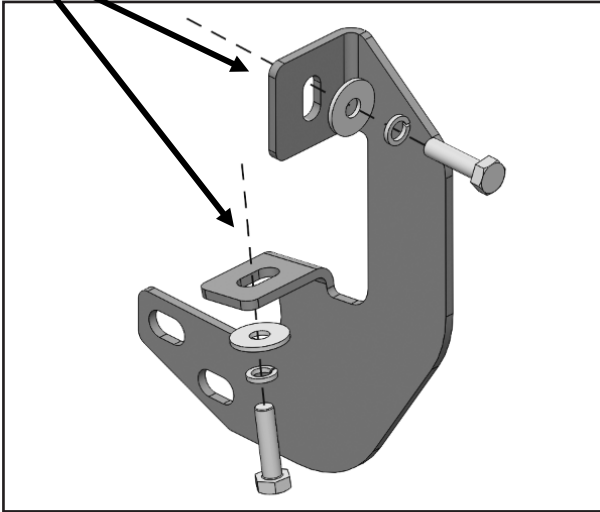


Wrench

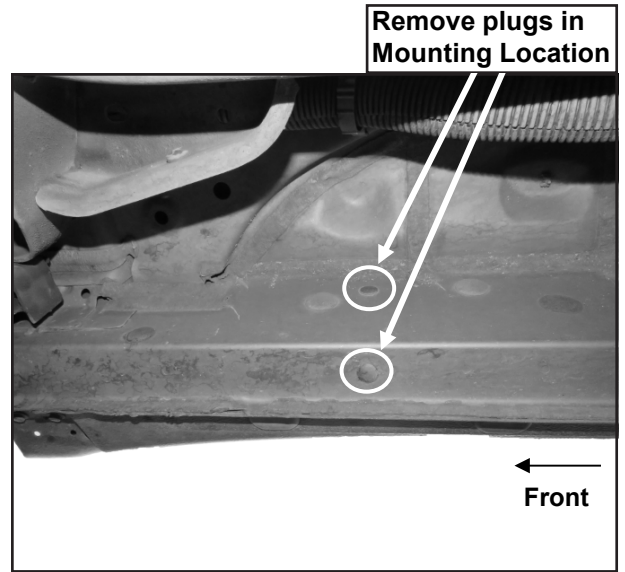
PROCEDURE

1. Follow **(Figures 1-9)** to attach the brackets to the Passenger Side. Repeat the following steps on the Driver Side. Ensure fasteners are only hand tight at this point.

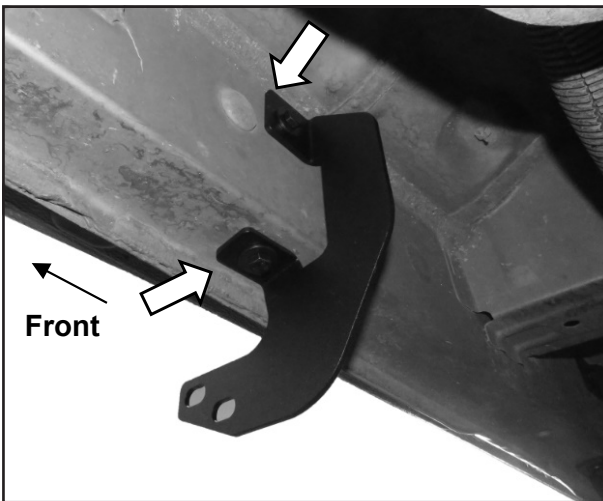
- (2) 8mm Hex Bolts
- (2) 8mm Lock Washers
- (2) 8mm Flat Washers



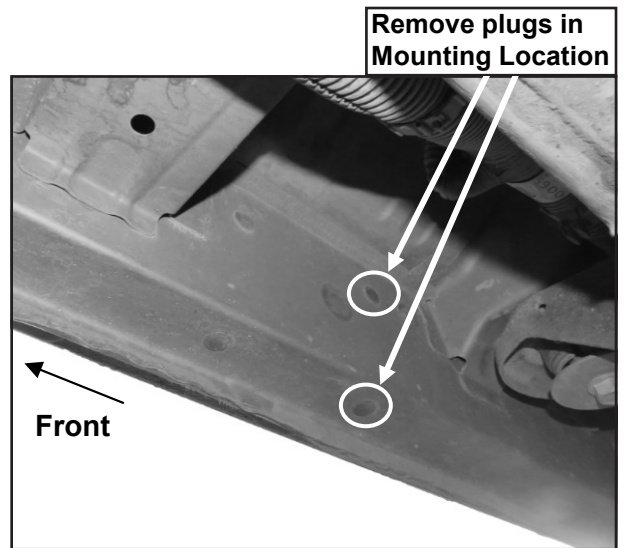
(Figure 1) Attach Passenger/Right Mounting Brackets to threaded inserts at each Passenger/Right Mounting Location.



(Figure 2) Passenger/Right Front Mounting Location.

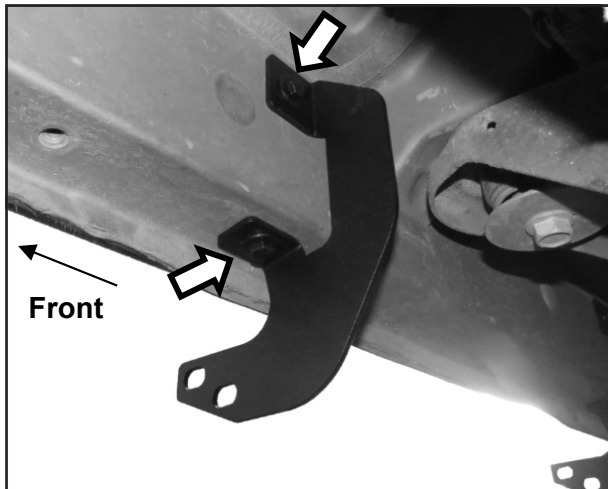


(Figure 3) Passenger/Right Front Bracket installed.

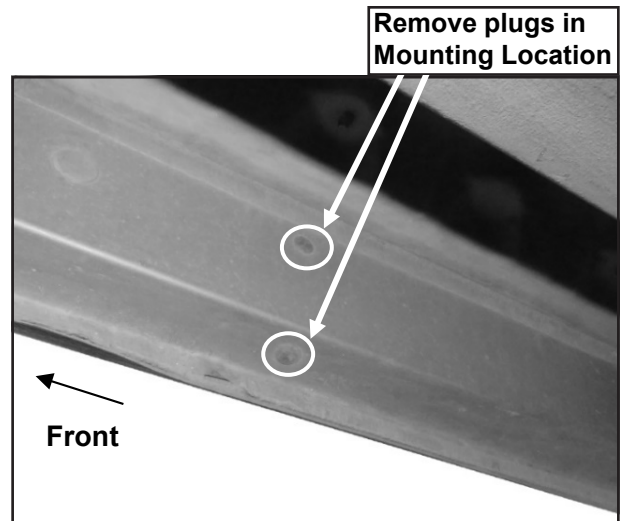


(Figure 4) Passenger/Right #2 Mounting Location.

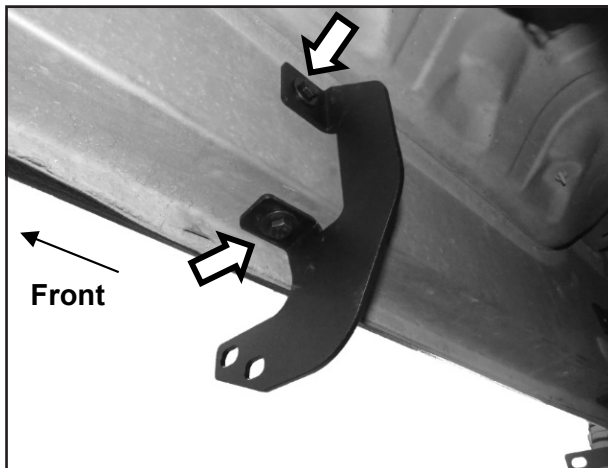
PROCEDURE (CONTINUED)



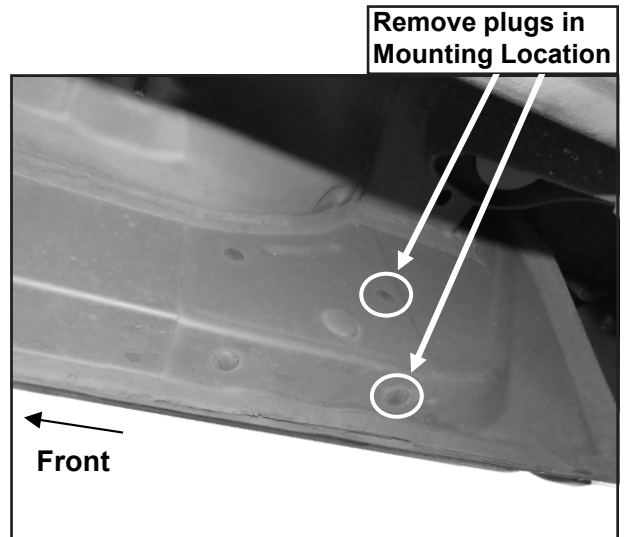
(Figure 5) Passenger/Right #2 Bracket installed.



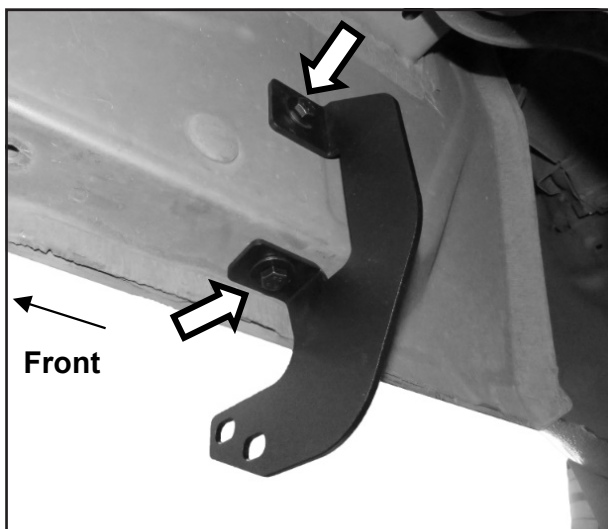
(Figure 6) Passenger/Right #3 Mounting Location.



(Figure 7) Passenger/Right #3 Bracket installed.



(Figure 8) Passenger/Right Rear Mounting Location.



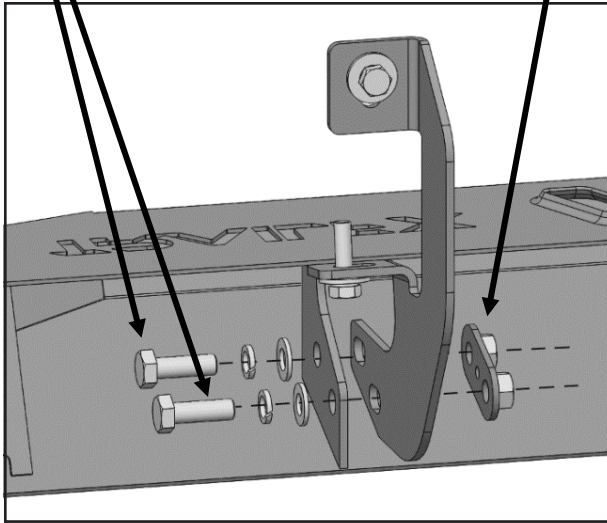
(Figure 9) Passenger/Right Rear Bracket installed.

PROCEDURE (CONTINUED)

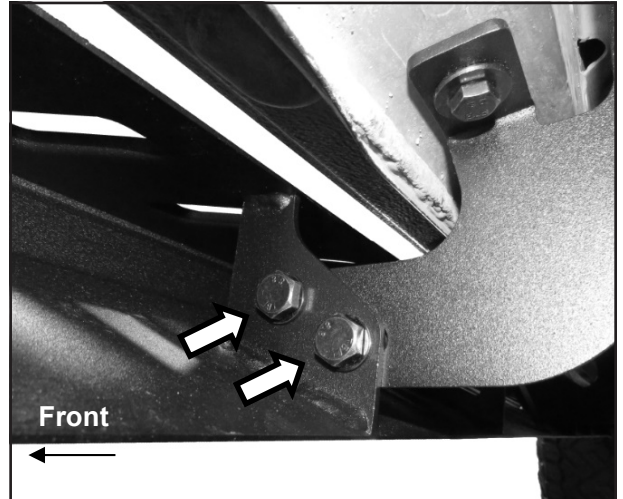
2. Follow (Figures 10-12) to attach Passenger Side Overland Slider to Passenger Side Mounting Brackets. Repeat the following steps on the Driver Side. Ensure fasteners are only hand tight.

(2) 10mm Hex Bolts
(2) 10mm Lock Washers
(2) 10mm Flat Washers

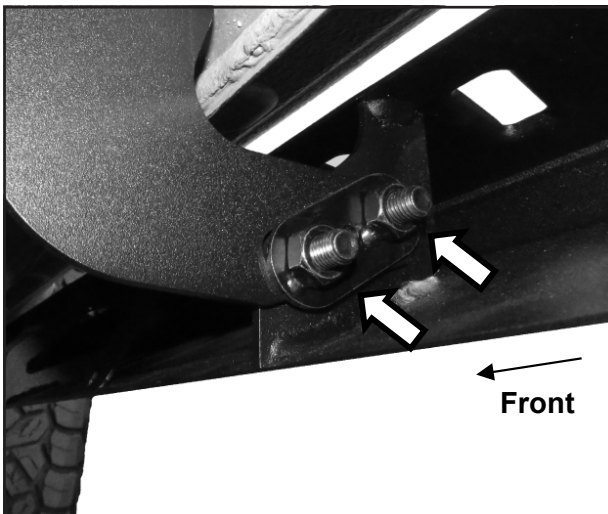
(1) Double Nut Plate



(Figure 10) Attach Passenger/Right Overland Slider to all Passenger/Right Mounting Brackets.



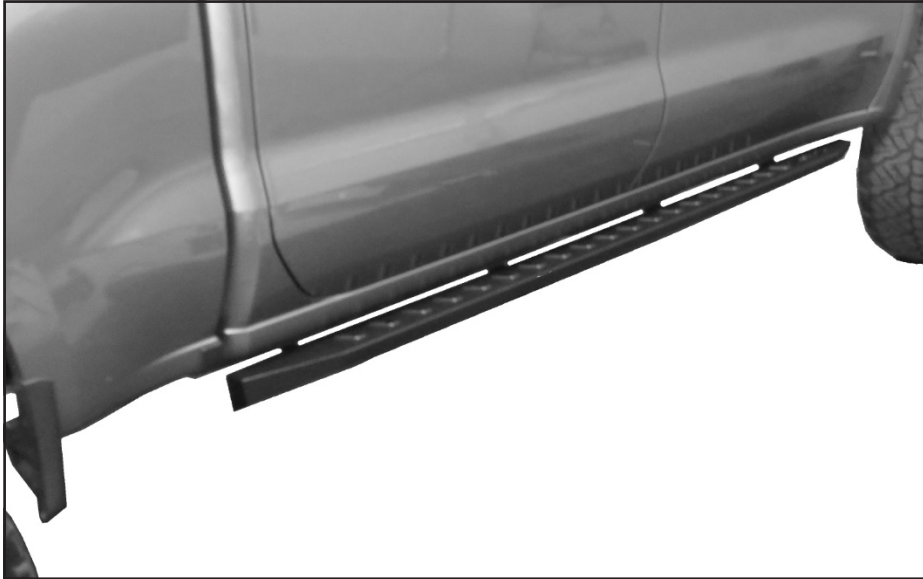
(Figure 11) Attached Passenger/Right Overland Slider from Front.



(Figure 12) Attached Passenger/Right Overland Slider from Rear.

PROCEDURE (CONTINUED)

3. Level and straighten Overland Slider, then tighten all fasteners. At this point, installation is complete. Do periodic inspections of the installation to make sure that all hardware is secure and tight.



Completed installation.

PRODUCT CARE

- Periodically check the product to ensure all fasteners are tight and components are intact.
- Regular waxing is recommended to protect the finish of the product.
- Use ONLY Non-Abrasive automotive wax. Use of any soap, polish or wax that contains an abrasive is detrimental and can scratch the finish leading to corrosion.
- Mild soap may be used to clean the product for Black finish.

FAQs

Hardware and mounting brackets are not aligning properly.	Ensure that hardware is being used on the correct side of vehicle. In some cases, the hardware may appear the same for driver and passenger side but may alter the alignment of mounting location. Check mounting brackets for both sides.
Products are thumping / rattling after Installation.	Ensure that all required mounting brackets/hardware's are installed & tightened correctly. Suggest using white Lithium/regular grease between metal-to-metal contact.
Missing / Excess Hardware.	Recheck hardware count as per the part list.
Product not installing properly.	Ensure the Year/Make/Model as well as cab and bed dimensions are correct for the application. Review all steps for installation to ensure they were followed correctly.
Who should be contacted for questions regarding product / installation assistance?	www.trailfx.com / support@trailfx.com or 1-(866) 638-4870

WARRANTY TERMS

Black Powder Coated: Limited 3 Year Warranty

TrailFX and Keystone Automotive Operations Inc. make no guarantees or warranties for products not manufactured by Keystone Automotive Operations Inc. Such products are covered solely under any applicable warranty of the manufacturer. It is always recommended that the operating instructions and warranty instructions provided by the manufacturer are followed.

Keystone Automotive Operations Inc. warrants its products to be free from manufacturing and material defects to the original purchaser for the length of warranty stated above from the date of retail purchase. If any products are found to have a manufacturing or material defect, the product will be replaced or repaired at the option of TrailFX and Keystone Automotive Operations Inc. with proof of purchase by the original purchaser. The original purchaser shall pay all transportation and shipping costs associated with the return of the defective product and the defective product shall become the property of Keystone Automotive Operations Inc.

This Warranty applies to Keystone Automotive Operations Inc. products used for individual and recreational purposes. Commercial usage of the Keystone Automotive Operations Inc. products limits the warranty to 90 days from the date of purchase.

This Warranty applies only to Keystone Automotive Operations Inc. products which are found to be defective in manufacturing or material. This warranty does not apply to normal wear and tear of the finish placed on Keystone Automotive Operations Inc. products.

TrailFX and Keystone Automotive Operations Inc. are not responsible for any labor costs incurred for removal or replacement of the defective product.

TrailFX and Keystone Automotive Operations Inc. are not responsible for repair or replacement of any product under the limited warranty where the product was improperly installed, misapplied, altered, abused, neglected, overloaded, misused, or damaged as a result of an accident, including any use of the product not in accordance with all products operating and safety instructions.

Without limiting the generality of the foregoing, TrailFX and Keystone Automotive Operations Inc. shall under no circumstances be liable for any incidental or consequential loss or damage whatsoever arising out of, or in any way relating to any such breach of warranty or claimed defect in, or non-performance of the products. Some states do not allow the exclusion or limitation of incidental or consequential damages, so the above exclusion or limitation may not apply to you.

This limited warranty gives you specific legal rights, and you may also have other rights that vary from state to state.

CONTACT US

WEBSITE: TrailFX.com

PHONE: 1-866-638-4870

EMAIL: support@trailfx.com