



**Assembly, Installation, Operation and
Maintenance Instructions
Running Board Mounting Kit**

**Part Number:
R0032MK**

60 - 180 minutes

Dealer / Installer: Provide a copy of these instructions to the end user of this product. These instructions provide important operating and safety information for proper usage of this product. Demonstrate the proper use of the product with the end user. Have the end user demonstrate that they understand the proper use of the product.

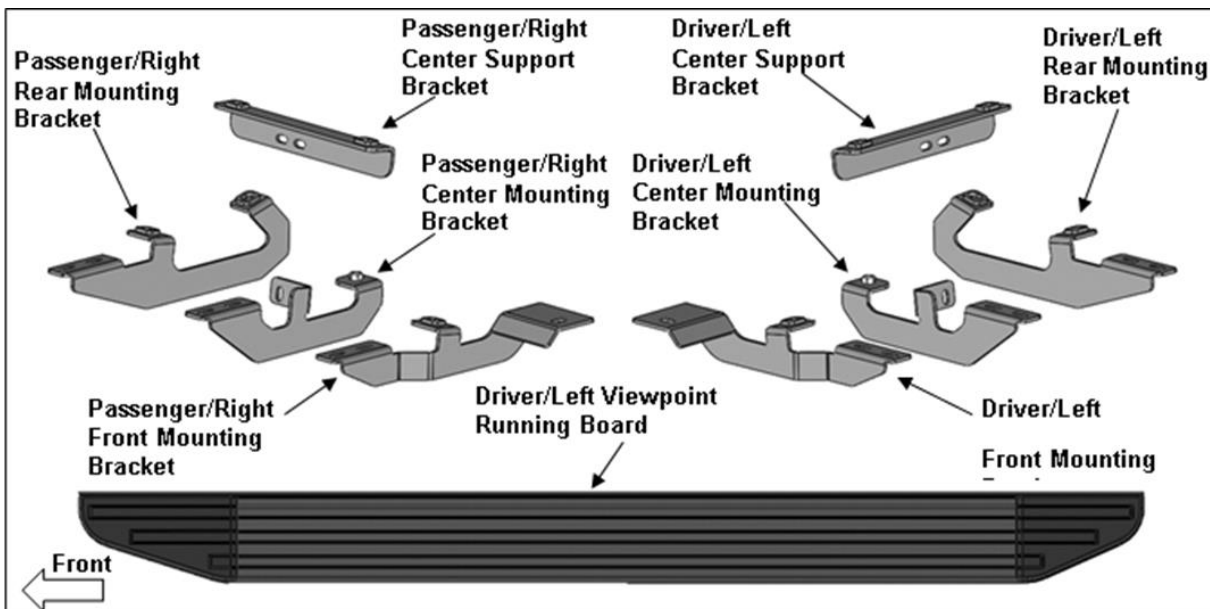
End User: Read and follow all instructions included in this manual. Ask your Dealer / Installer for assistance if you do not understand the proper use of the product. Never remove any decals from the product. Failure to follow these instructions can result in injury or death.

⚠️ WARNING ⚠️

APPLICATION: 2021 FORD BRONCO SPORT



Parts List			
Description	Qty	Description	Qty
Driver/Left Front Mounting Bracket	1	10mm x 27mm OD x 2mm Flat Washer	14
Passenger/Right Front Mounting Bracket	1	10mm Lock Washers	14
Driver/Left Center Mounting Bracket	1	10mm Hex Nuts	14
Passenger/Right Center Mounting Bracket	1	10mm Plastic Retainers	4
Driver/Left Rear Mounting Bracket	1	8mm x 25mm Hex Bolts	4
Passenger/Right Rear Mounting Bracket	1	8mm x 24mm OD x 2mm Flat Washers	8
Driver/Left Center Support Bracket	1	8mm Lock Washers	4
Passenger/Right Center Support Bracket	1	8mm Hex Nuts	4
Compression Plates	2	6mm x 20mm T-Bolts	12
10mm x 40mm Long Bolt Plates	2	6mm x 22mm OD x 2mm Flat Washers	12
10mm x 40mm Short Bolts Plates	2	6mm Lock Washers	12
10mm Spiral Bolts	8	6mm Hex Nuts	12
10mm x 60mm Hex Bolts	2		

Torque Specs	
Size	Torque
6mm	27.0 in-lbs.
8mm	65.6 in-lbs.
10mm	10.8 ft-lbs.



*** RUNNING BOARD SOLD SEPARATELY ***

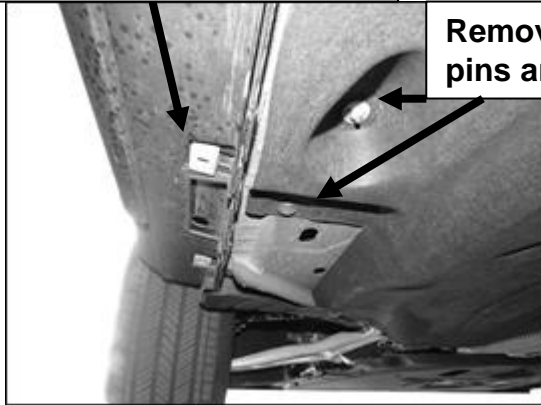
INSTALLATION PROCEDURE:

1. REMOVE CONTENTS FROM BOX. VERIFY ALL PARTS ARE PRESENT. READ INSTRUCTIONS CAREFULLY BEFORE STARTING INSTALLATION.
2. Starting under the Driver/Left side of the vehicle, remove the large plastic cover on the bottom of the floor panel, (Figure 1). Determine which plastic clips need to be removed. Carefully remove only the plastic clips for installation, (Figures 2 &3).
3. Locate the front mounting location, (Figure 4). Select (1) 10mm Spiral Bolt. Insert the Spiral Bolt into the side panel, (Figures 8A & 8B). Select (1) 10mm Short Bolt Plate. Insert the Bolt Plate into the floor panel, (Figure 9). Thread (1) 10mm Plastic Retainer onto the Bolt Plate to hold it in place.
 - a) With the Spiral Bolt threads pointing away from the vehicle, insert the tail all the way up into the slot. Keep threads pointed outwards, (Figure 5).
 - b) Slide in the bend in the tail up into the slot, keeping the threads pointed outwards, (Figure 6).
 - c) Rotate Spiral Bolt downwards so that the threads are pointed towards the ground, (Figure 7).
 - d) Follow link for 10mm Spiral Bolt installation. <https://youtu.be/BqQis3QjZNc>
4. Select the Driver/Left Mounting Bracket. Attach the Mounting Bracket to the Bolt Plate with (1) 10mm Flat Washer, (1) 10mm Lock Washer and (1) 10mm Hex Nut, (Figure 10). Do not tighten hardware. Attach the Bracket to the Spiral Bolt with (1) 10mm Flat Washer, (1) 10mm Lock Washer and (1) 10mm Hex Nut, (Figure 11). Do not tighten hardware.
5. Move to the center location, (Figure 12). Insert (2) 10mm Spiral Bolts into the side panel, (Figure 13). Select the Driver/Left Center Support Bracket. Attach the Bracket to the (2) Spiral Bolts with (2) 10mm Flat Washers, (2) 10mm Lock Washers and (2) 10mm Hex Nuts, (Figure 14). Do not tighten hardware.
6. Select the Center Mounting Bracket. Attach the Mounting Bracket to the Support Bracket with (2) 8mm Hex Bolts, (4) 8mm Flat Washers, (2) 8mm Lock Washers and (2) 8mm Hex Nuts, (Figure 15). Do not tighten hardware.
7. Select (1) Compression Plate.
 - a) Thread (1) 10mm Hex Nut to (1) 10mm x 60mm Hex Bolt.
 - b) Slide (1) 10mm Lock Washer and (1) 10mm Flat washer onto the 10mm Hex Bolt.
 - c) Thread the 10mm Hex Bolt assembly into the welded nut on the back of the Mounting Bracket. Place the Compression Plate onto the end of the 10mm Hex Bolt, (Figures 16A & 16B).
 - d) Tighten Hex Bolt to place the Compression Plate onto the floor panel. Do not tighten Hex Bolt all the way. NOTE: Use the 10mm Hex Nut to adjust the level of the Mounting Bracket.
 - e) Follow link for Compression Plate installation. <https://youtu.be/R51s7Vk1Sy4>
8. Move to the rear mounting location. Repeat Steps 3 & 4 to attach the Driver/Left Rear Mounting Bracket, (Figures 17—19). Do not tighten hardware.
9. Select the Driver/Left Viewpoint Running Board. Insert (6) 6mm T-Bolts into the channels in the bottom of the Running Board, (3) per channel, (Figure 20). With assistance, place the Running Board onto the Mounting Brackets. Line up the T-Bolts to the slots in the Mounting Brackets. Attach the Running Board to the Mounting Brackets with (6) 6mm Flat Washers, (6) 6mm Lock Washers and (6) 6mm Hex Nuts, (Figure 18). Do not tighten hardware.
10. Level and adjust the Running Board and tighten all hardware.
11. Do periodic inspections to the installation to make sure that all hardware is secure and tight.
12. To protect your investment, Do not use any type of polish or wax that may contain abrasives that could damage the finish. Mild soap may be used to clean the Running Boards.

*** Be sure to torque all hardware to specs listed ***

INSTALLATION IMAGES:

Remove plastic trim clips



Remove factory pins and hardware

(Fig 1) Remove the plastic cover to reveal the floor panel and the plastic clips in the outer trim



(Fig 2) Gently pull the trim slightly to loosen the clips (Passenger side shown)



(Fig 3) Plastic clip removed from the front location trim (Passenger side shown)



(Fig 4) Locate the Driver/Left front mounting location

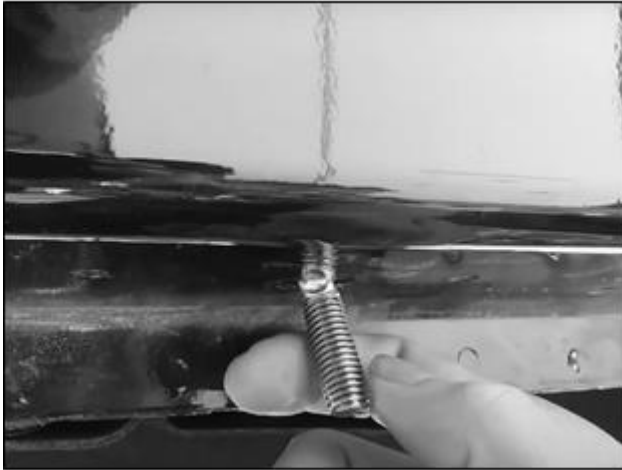


(Fig 5) Insert the tail on the Spiral Bolt into the slot, keeping the threads pointed outwards



(Fig 6) Insert the bend on the tail into the slot, keeping the threads pointed outwards

INSTALLATION IMAGES CONTINUED:



(Fig 7) Rotate the Spiral Bolt downwards

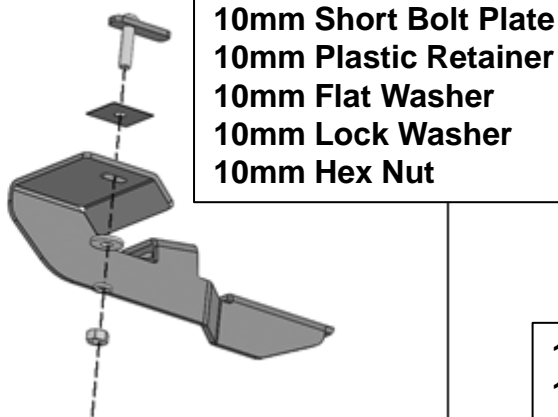


(Fig 8A) Insert (1) 10mm Spiral Bolt into the side panel

(Fig 8B) Follow link for 10mm Spiral Bolt installation.
<https://youtu.be/BqQis3QjZnc>

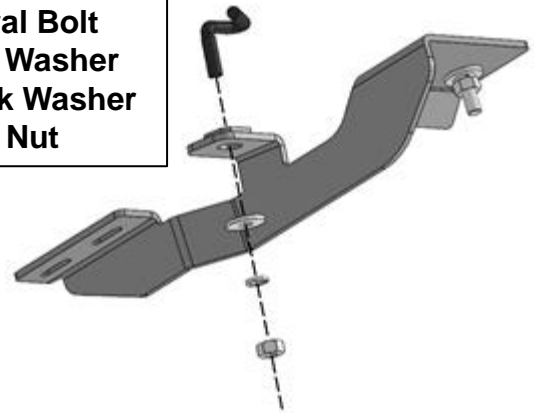


(Fig 9) Insert (1) 10mm Short Bolt Plate into the floor panel



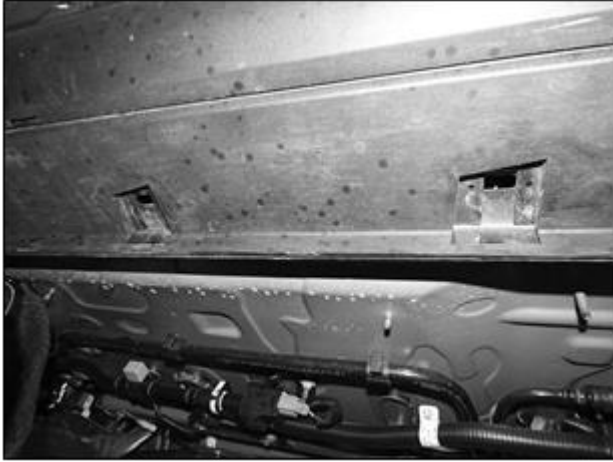
(Fig 10) Attach the Driver/Left Front Mounting Bracket to the Bolt Plate

**10mm Spiral Bolt
10mm Flat Washer
10mm Lock Washer
10mm Hex Nut**



(Fig 11) Attach (1) Driver/Left Front/Rear Support Bracket to the Spiral Bolt

INSTALLATION IMAGES:

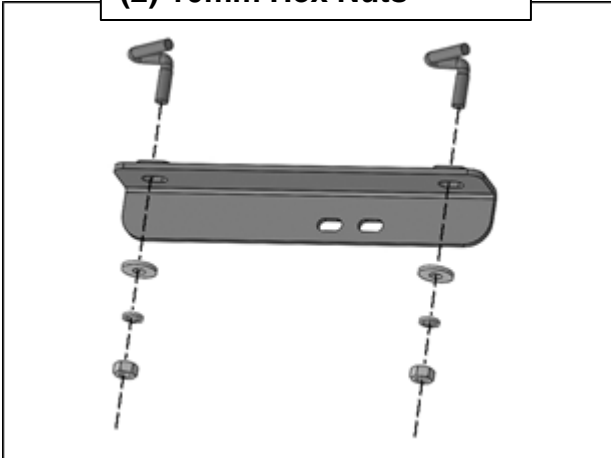


(Fig 12) Insert (2) 10mm Spiral Bolts into the outer center location



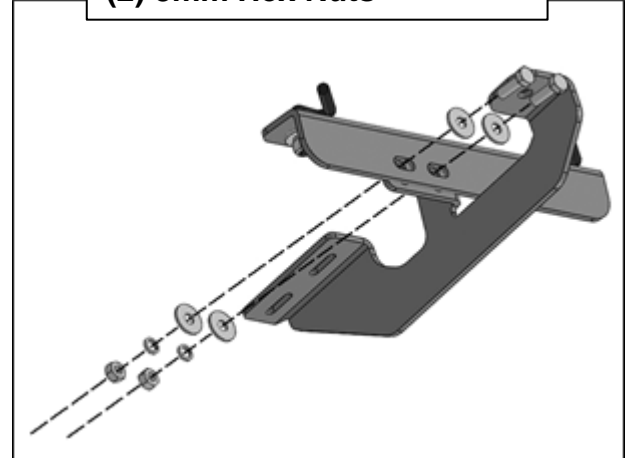
(Fig 13) (2) 10mm Spiral Bolts inserted into the outer center location

- (2) 10mm Spiral Bolts**
- (2) 10mm Flat Washers**
- (2) 10mm Lock Washers**
- (2) 10mm Hex Nuts**



(Fig 14) Attach the Driver/Left Center Support Bracket to the (2) 10mm Spiral Bolts

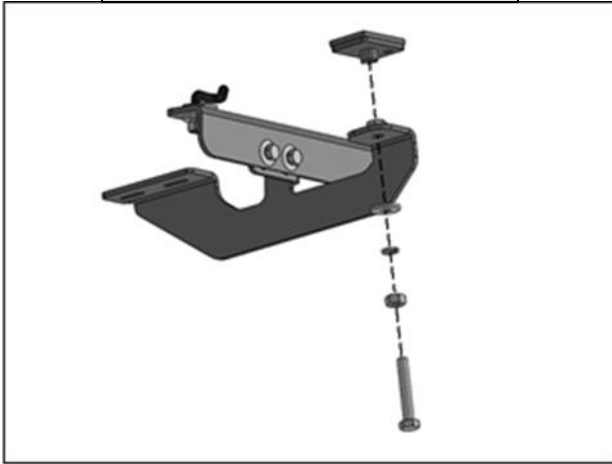
- (2) 8mm Hex Bolts**
- (4) 8mm Flat Washers**
- (2) 8mm Lock Washers**
- (2) 8mm Hex Nuts**



(Fig 15) Attach the Driver/Left Center Mounting Bracket to the Support Bracket

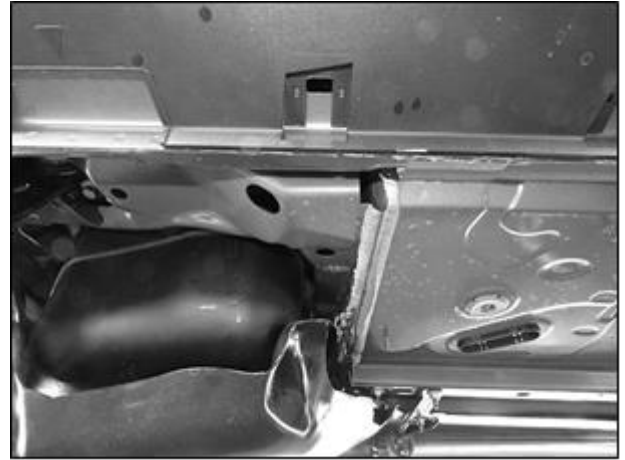
INSTALLATION IMAGES CONTINUED:

10mm x 60mm Hex Bolt
10mm Hex Nut
10mm Lock Washer
10mm Flat Washer
Compression Plate

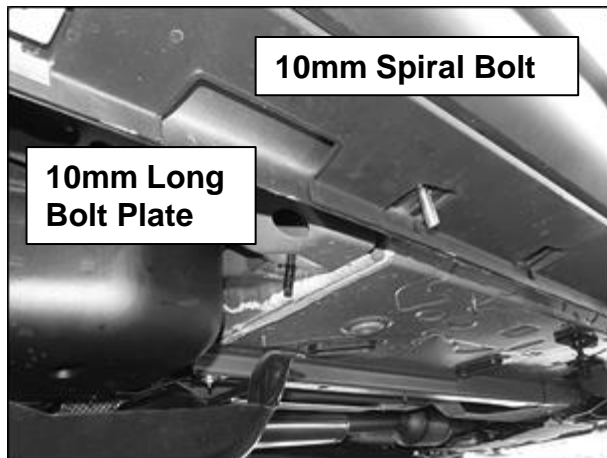


(Fig 16A) Use (1) Compression Plate to level the Bracket (Note use the Hex Nuts as adjusters)

(Fig 16B) Follow link for Compression Plate installation.
<https://youtu.be/R51s7Vk1Sy4>



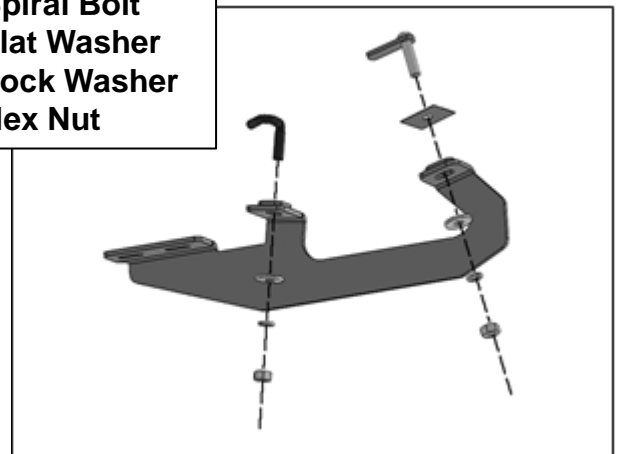
(Fig 17) Example of the rear location (Passenger side shown)



(Fig 18) Insert (1) 10mm Spiral Bolt into the side panel and (1) 10mm Long Bolt Plate into the floor panel

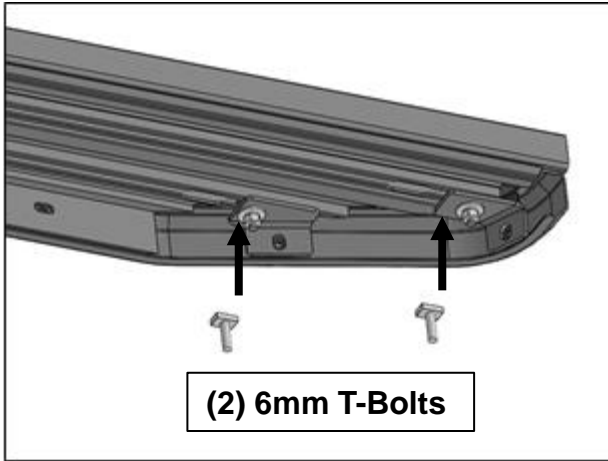
10mm Short Bolt Plate
10mm Plastic Retainer
10mm Flat Washer
10mm Lock Washer
10mm Hex Nut

10mm Spiral Bolt
10mm Flat Washer
10mm Lock Washer
10mm Hex Nut

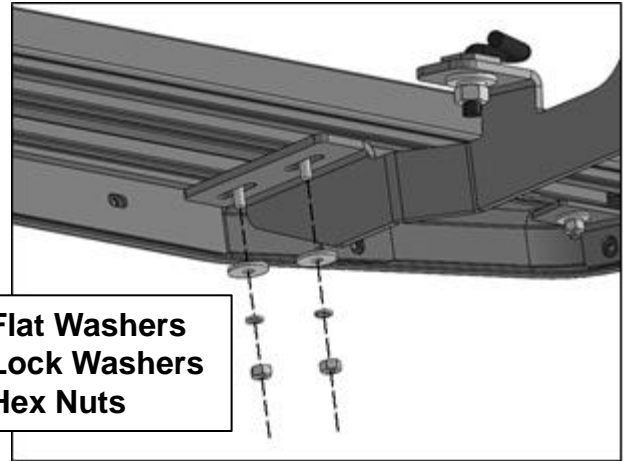


(Fig 19) Attach the Driver/Left Rear Mounting Bracket to the Bolt Plate

INSTALLATION IMAGES CONTINUED:



(Fig 20) Insert (6) 6mm T-Bolts into the bottom of the Running Board, (3) per channel



(Fig 21) Attach the Running Board to the Mounting Brackets

Product Care

- Periodically check the product to ensure all fasteners are tight and components are intact.
- Regular waxing is recommended to protect the finish of the product. Use ONLY Non-Abrasive automotive wax. Use of any soap, polish or wax that contains an abrasive is detrimental and can scratch the finish leading to corrosion.
- Aluminum polish may be used to polish small scratches and scuffs for Stainless Steel finish.
- Mild soap may be used to clean the product for both Stainless Steel and Black finish.

FAQ's

1. Hardware and mounting brackets are not aligning properly

Ensure that hardware is being used on the correct side of the vehicle. In some cases, the hardware may appear same for driver or passenger side but may alter the alignment of mounting location. Check mounting brackets for both sides.

1. Running Board is not aligning with vehicle / doors

Running Board may be interchanged or reversed (Driver / Passenger Side). Check Running Board for each side as well ensure the proper hardware has been used for each side.

1. Products are thumping / rattling after installation.

Ensure that all required mounting brackets / hardware's are installed & tighten correctly. Suggest using white lithium / regular grease between metal-to-metal contact.

1. Missing / Excess Hardware.

Recheck hardware count as per the part list.

1. Product not installing properly.

Ensure the Year / Make / Model as well as cab and bed dimensions are correct for the application. Review all steps for installation to ensure they were followed correctly.

1. Who should be contacted for questions regarding product / installation assistance?

www.trailfx.com / support@trailfx.com 1-(866) 638-4870



Warranty Terms

3 Year Limited Warranty:

TrailFX and Keystone Automotive Operations Inc. (KAO) make no guarantees or warranties for products not manufactured by Keystone Automotive Operations Inc. Such products are covered solely under any applicable warranty of the manufacturer. It is always recommended that the operating instructions and warranty instructions provided by the manufacturer are followed.

TrailFX/KAO warrants its products to be free from manufacturing and material defects to the original purchaser for the length of warranty stated above from the date of retail purchase. If any products are found to have a manufacturing or material defect, the product will be replaced or repaired at the option of TrailFX and Keystone Automotive Operations Inc. with proof of purchase by the original purchaser. The original purchaser shall pay all transportation and shipping costs associated with the return of the defective product and the defective product shall become the property of Keystone Automotive Operations Inc.

The Warranty applies to TrailFX/KAO products used for individual and recreational purposes. Commercial usage of the Keystone Automotive Operations Inc. products limits the warranty to 90-days from date of purchase.

The Warranty applies only to TrailFX/KAO products which are found to be defective in manufacturing or material. This warranty does not apply to normal wear and tear of the finish placed on Keystone Automotive Operations Inc. products.

TrailFX/KAO are not responsible for any labor costs incurred for removal or replacement of the defective product.

TrailFX/KAO are not responsible for repair or replacement of any product under the limited warranty where the product was improperly installed, misapplied, altered, abused, neglected, overloaded, misused or damaged as a result of an accident, including any use of the product not in accordance with all product operating and safety instructions.

Without limiting the generality of the foregoing, TrailFX/KAO shall under no circumstances be liable for any incidental or consequential loss or damage whatsoever arising out of, or in any way relating to any such breach of warranty or claimed defect in, or non-performance of the products. Some states do not allow the exclusion or limitation of incidental or consequential damages, so the above exclusion or limitation may not apply to you.

This limited warranty gives you specific legal rights, and you may also have other rights that vary from state to state.