

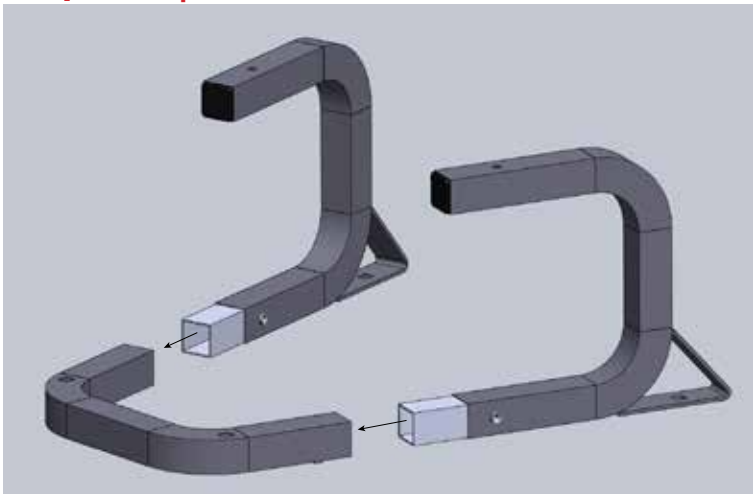
ASSEMBLY INSTRUCTIONS THE BIGFOOT ROLLING WORK SEAT



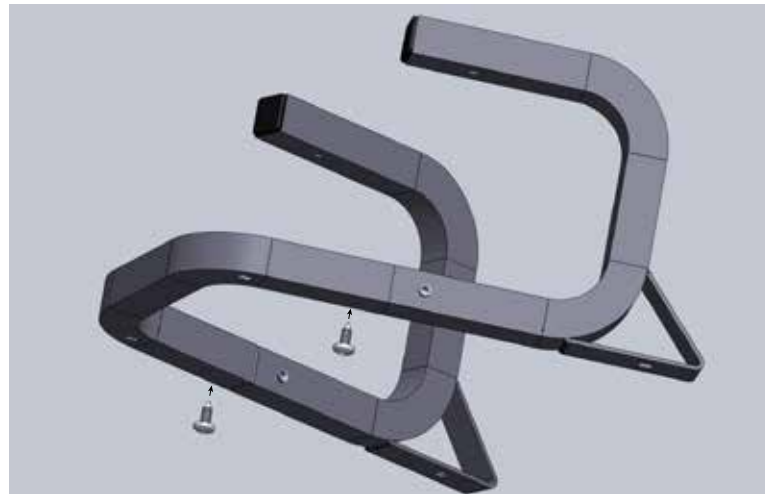
Patent Pending

Thank you for getting this ProGear work seat. You are three steps and just a few minutes away from using the most stable and functional C-Frame work seat ever made.

Step One | Assemble the Frame

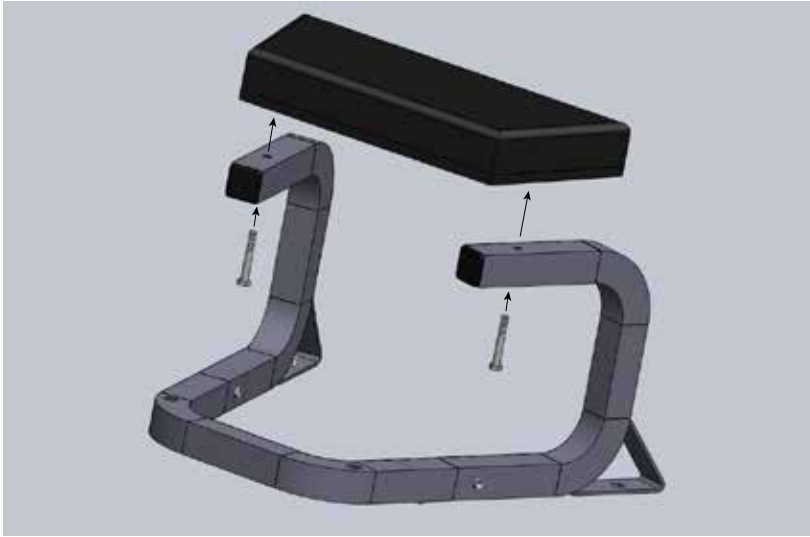


Slide tubes together as shown.



Use set screws to secure frame parts together.

Step Two | Add the Seat



Assemble padded seat onto frame using two bolts.

Step Three | Add the Casters



Assemble rear casters using lock washers and nuts.

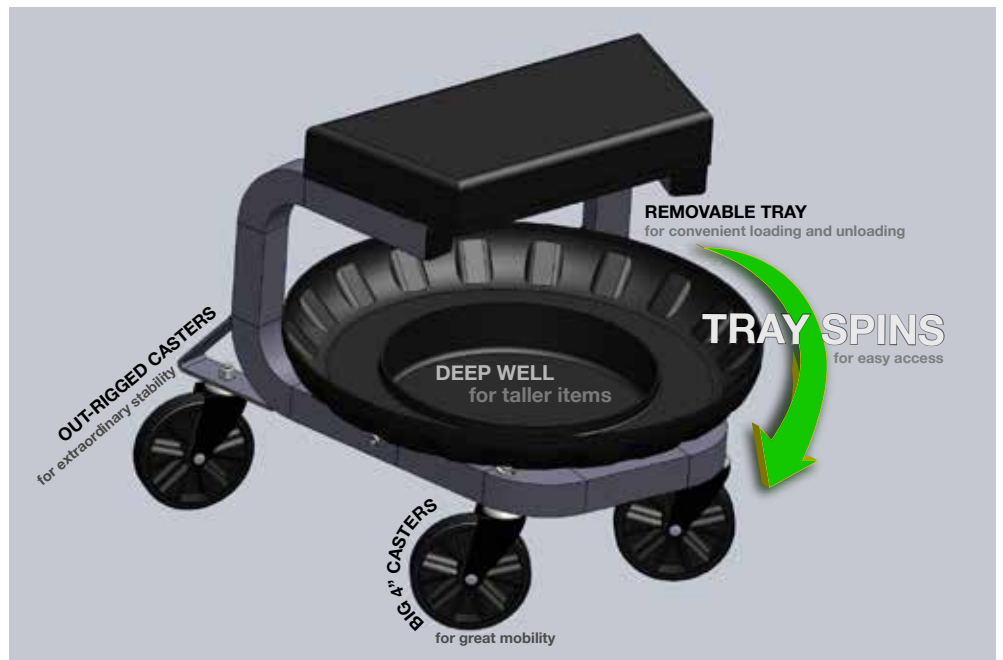


Bolt front casters onto frame using lock washers and barrel nuts.

SET TRAY. All Done.

Bigfoot is better by design.

ENJOY!



Learn more about automotive tools we have.