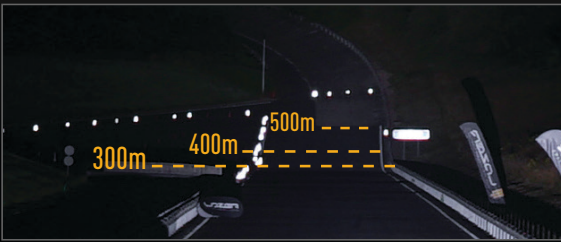


**TRIPLE-R**  
HIGH PERFORMANCE LIGHTING

**S** **SENTINEL**  
WITH POSITION LIGHT

New for 2021, the Sentinel range are 9" round lamps that combine distinctive high-end product design, with superior lighting performance and build quality symbolic of the Lazer Lamps name. Available in Standard or Elite grades, the former incorporates 20 high power LEDs and comes available with either a black or chrome finish inside the lamp. For added styling and safety, connect the amber or white back light function to the vehicles side lights.





# SENTINEL WITH POSITION LIGHT

- Combination of 20 premium 'bin' LEDs
- Black or Chrome internal appearance available
- 5000K LED colour temperature and 80CRI maximises sharpness and definition
- Integrated white and amber back light function
- Ultra-reflective vacuum-metallised spot and wide optics
- Contemporary lamp design
- Supplied with 'slim' diecast aluminium mounting bracket featuring Sentinel stamp
- Electronic thermal management system optimises light output to preserve longevity of the LEDs
- Anodised pre-treatment and automotive grade powder top-coat for ultimate corrosion and chemical protection
- CAE optimised heatsink offers improved thermal dynamics
- Over voltage protected
- Reverse polarity protected
- 'Unbreakable' polycarbonate lens with hardcoat lacquer
- A2 stainless steel fasteners with automotive grade black coating
- IP68 watertight – 1.5m submersion (30mins)
- 5-year warranty
- Supplied with pre-wired male/female 2-pin Superseal connectors
- Designed & manufactured in UK

E-MARK REF	N/A / 20
VOLTAGE RANGE	10V - 32V
RAW LUMENS	9,520
BEAM PATTERN	Wide
BEAM DISTANCE (0.25LX)	1414m
# HIGH POWER LEDs	20
POWER CONSUMPTION	87 Watts
CURRENT DRAW†	8.1 Amps
LED LIFE	50,000 Hrs*
WEIGHT	2500g



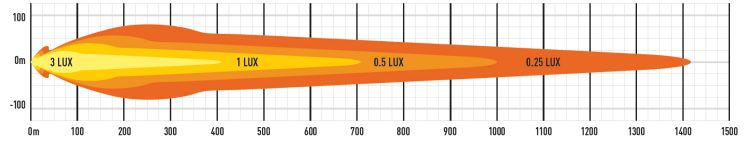
\* LED Manufacturers Specifications †At 14.4 Volts

sales@lazerlamps.com | www.triple-r-lights.com

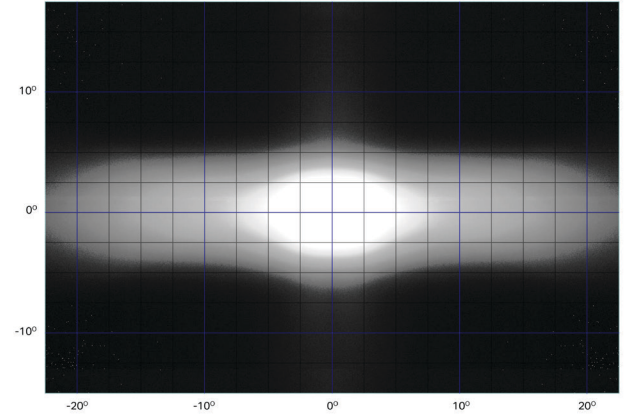
Triple-R Lights LLC, 16192 Coastal Highway, Lewes, Delaware, 19958, USA

## SENTINEL STD

Generated from BSI lamp photometric test data: on road measurement data

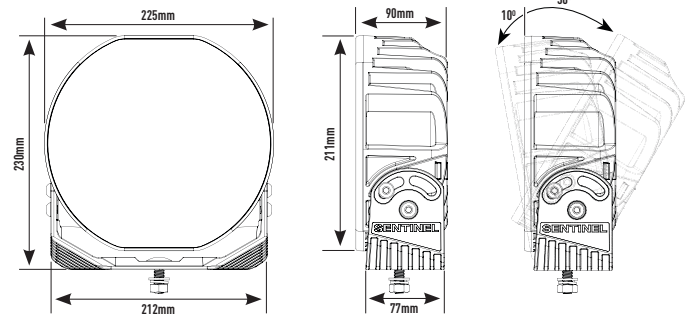


Horizontal: 52° / Vertical: 11° (2% of peak)



## WIDE MOUNT

Lamp suitable for horizontal or vertical mounting positions



## SLIM MOUNT

\* No downward rotation when Lens Cover is fitted.

