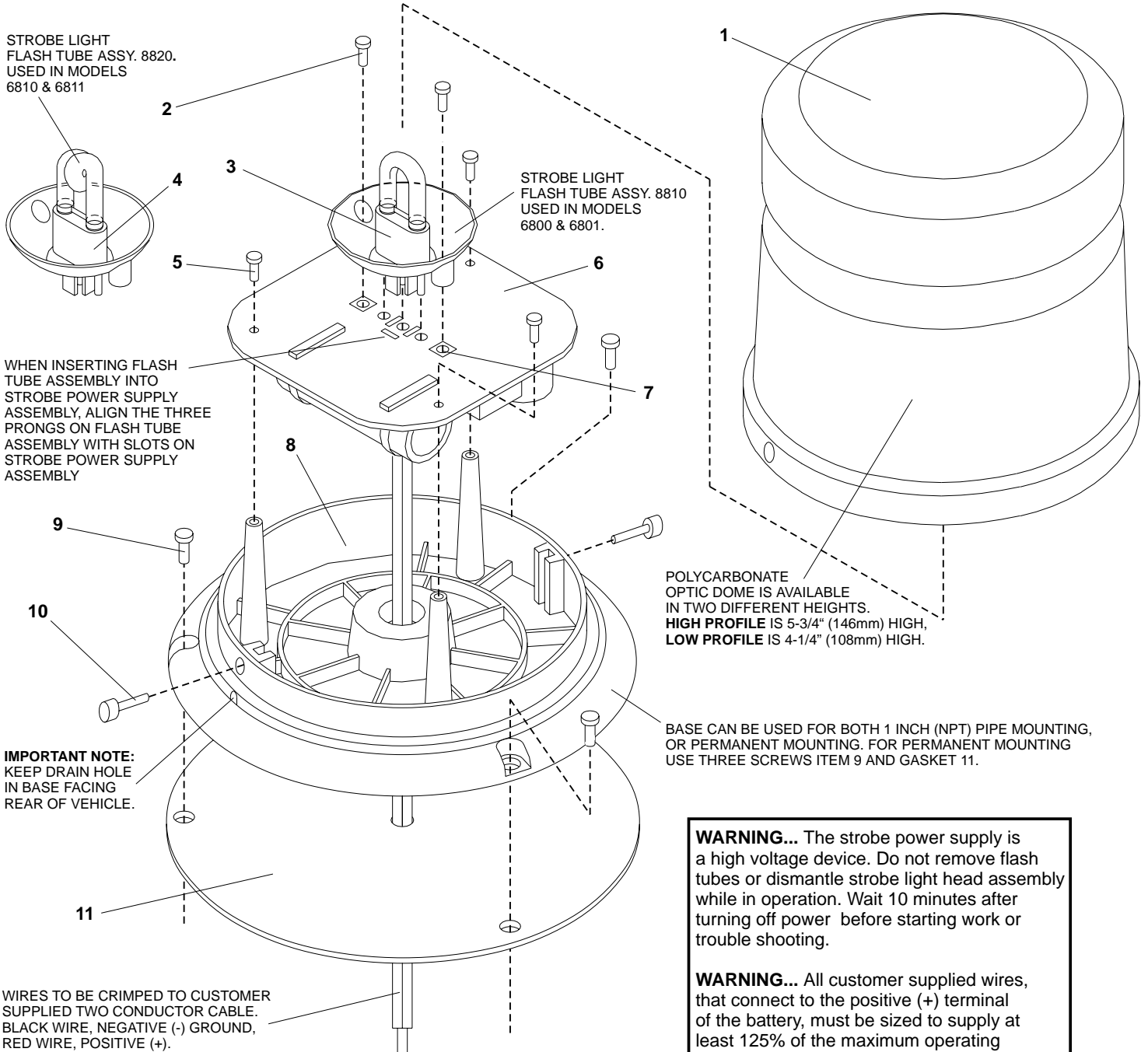


MODELS 6800 (LOW DOME) AND 6801 (HIGH DOME) - 15 WATT / 13 JOULE / 70 CFPM / SAE CLASS II
MODELS 6810 (LOW DOME) AND 6811 (HIGH DOME) - 22 WATT / 18 JOULE / 70 CFPM / SAE CLASS I



NOTE: SEE WIRING INSTRUCTIONS ON PAGE 2

IMPORTANT: The outer surfaces of this product may be cleaned with mild soap and water. Use of any other chemicals may void product warranty. Do not use a pressure washer.

WARNING... The strobe power supply is a high voltage device. Do not remove flash tubes or dismantle strobe light head assembly while in operation. Wait 10 minutes after turning off power before starting work or trouble shooting.

WARNING... All customer supplied wires, that connect to the positive (+) terminal of the battery, must be sized to supply at least 125% of the maximum operating current, and fused at the battery to carry the load.

ITEM	DESCRIPTION	QTY.	SIGNAL-STAT MODEL NUMBER	6800 6801	6810 6811
1	OPTIC DOME, HIGH PROFILE, AMBER	1	9710A	●	●
1	OPTIC DOME, HIGH PROFILE, BLUE	1	9710B	●	●
1	OPTIC DOME, HIGH PROFILE, CLEAR	1	9710W	●	●
1	OPTIC DOME, HIGH PROFILE, RED	1	9710R	●	●
1	OPTIC DOME, LOW PROFILE, AMBER	1	9705A	●	●
1	OPTIC DOME, LOW PROFILE, BLUE	1	9705B	●	●
1	OPTIC DOME, LOW PROFILE, CLEAR	1	9705W	●	●
1	OPTIC DOME, LOW PROFILE, RED	1	9705R	●	●
2	#4 x 1/2 INCH PHILLIPS PAN HEAD SHEET METAL SCREW, STAINLESS STEEL	2	*	●	●
3	STROBE LIGHT FLASH TUBE ASSEMBLY	1	8810	●	
4	STROBE LIGHT FLASH TUBE ASSEMBLY	1	8820		●
5	#6 x 5/16 INCH HEX WASHER HEAD THREAD FORMING SCREW	3	*	●	●
6	STROBE POWER SUPPLY ASSY.	1	6800PS	●	
6	STROBE POWER SUPPLY ASSY.	1	6810PS		●
7	NUT #4-FASTEX SCREW GROMMET, NYLON	2	Contact Factory	●	●
8	PIPE/FLAT MOUNT POLYCARBONATE BASE	1	Contact Factory	●	●
9	#10 x 5/8 INCH PHILLIPS PAN HEAD SHEET METAL SCREW (FOR PERMANENT MOUNTING)	3	*	●	●
10	#6 x 5/8 INCH PAN HEAD THREAD FORMING SCREW (TO SECURE DOME TO BASE)	2	*	●	●
11	SEAL BASE GASKET	1	Contact Factory	●	●

* Available from fastener suppliers.

WIRING INSTRUCTIONS:

NOTE: DC voltage models are polarity sensitive. If the positive and negative wires are reversed the unit will not function. The fuse is installed between the power source and the strobe light beacon IN THE POSITIVE (+) LINE (red wire) and must be fused at the battery.

6800, 6801: 5 AMP FUSE IS RECOMMENDED
6810, 6811: 7.5 AMP FUSE IS RECOMMENDED

1. Connect RED wire on strobe light beacon to positive DC voltage (+).
2. A customer supplied single pole single throw (SPST) switch may be used to control the ON-OFF function of the strobe light beacon.
3. Connect the BLACK wire on strobe light beacon to negative (-) ground.

MOUNTING INSTRUCTIONS:

This strobe light beacon features a combination base which may be used for either 1 INCH (NPT) PIPE MOUNT, or PERMANENT MOUNT.

1 INCH (NPT) PIPE MOUNT:

1. Feed power cable through the 1 inch pipe and connect the cable to the wires of the strobe beacon.
2. Screw the strobe beacon to the threads on the 1" pipe, taking precaution not to damage the connected power wires. NOTE: Do not tighten base too hard on threads of pipe as not to damage threads on base.

PERMANENT MOUNT

1. Use the base (item 8) as a template and mark the three mounting holes on the mounting surface. After removing the base, mark in the center between the three mounting holes the location of the wire access hole.

2. Drill mounting holes in the mounting surface to fit mounting screws (item 9) supplied with the strobe light beacon, drill wire access hole using a 3/8" drill (.375 inch). Remove burrs from wire access hole as not to damage wires. It is also recommended that you install a rubber grommet in each wire hole to further protect the wires.

3. Gasket (item 11) will be used between the strobe beacon base and the mounting surface.

4. After connecting the strobe light beacon to the power cable, feed the wires through the cable access hole and place the base with the gasket on the mounting surface, lining up the mounting holes in the base with the lines in the mounting surface. Secure strobe light beacon firmly to the mounting surface with the screws (item 9).

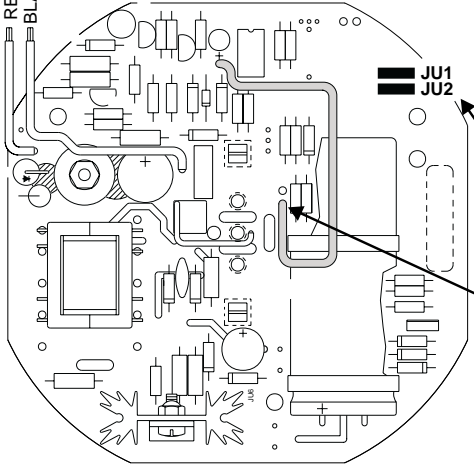
MAGNETIC MOUNT

With the magnetic mount kit you will be able to mount your strobe so that you can remove it if necessary and avoid drilling.

MAGNETIC MOUNT KIT - MODEL 9702

WARNING: The use of any magnetically mounted warning beacon on the outside of a vehicle while in motion is not recommended and is at the sole discretion and risk of the user.

PCB ASSEMBLY (COMPONENT SIDE)
Refer to diagram on page 1 to dismantle strobe.



FLASH PATTERN	JU1	JU2
COMET FLASH®	IN	IN
DOUBLE FLASH	IN	CUT
RAPID RANDOM™	CUT	IN
ACTION FLASH™	CUT	CUT

JUMPER OPTIONS
To achieve any one of the 4 flash patterns listed in the above chart, you must either cut-out or leave-in one, two, both or neither of the two jumpers. If you do not touch the jumpers the unit will default to "CometFlash®".

HI/LOW PATTERN
If you wish to control High or Low Power externally cut the Violet wire off at this point and exit with black and red wires. If you ground this wire you will go to high power. You will probably want to install a switch so you can switch to high or low.

