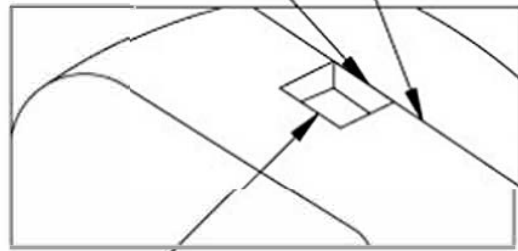


BOTTOM EDGE OF THE DEFLECTOR

NOTE 3



HOOD GRAB HANDLE

INSTALLATION INSTRUCTIONS

- 1- TEMPORARILY ATTACH BRACKETS TO THE BACKSIDE OF THE DEFLECTOR WITH HARDWARE AS ILLUSTRATED.
- 2- SLIP ON CHROMED TRIM EDGE TO BOTTOM EDGE OF THE HOOD DEFLECTOR AND CUT OFF EXCESS.
- 3- POSITION THE DEFLECTOR ON HOOD. BE SURE THAT THE DEFLECTOR IS FLUSH TO THE HOOD GRAB HANDLE. **NOTE 3**
- 4- MARK BRACKET HOLES ON HOOD.

ATTENTION

DO NOT MARK SIDE HOLES, IT WILL BE DONE IN A FURTHER STEP.

CAUTION

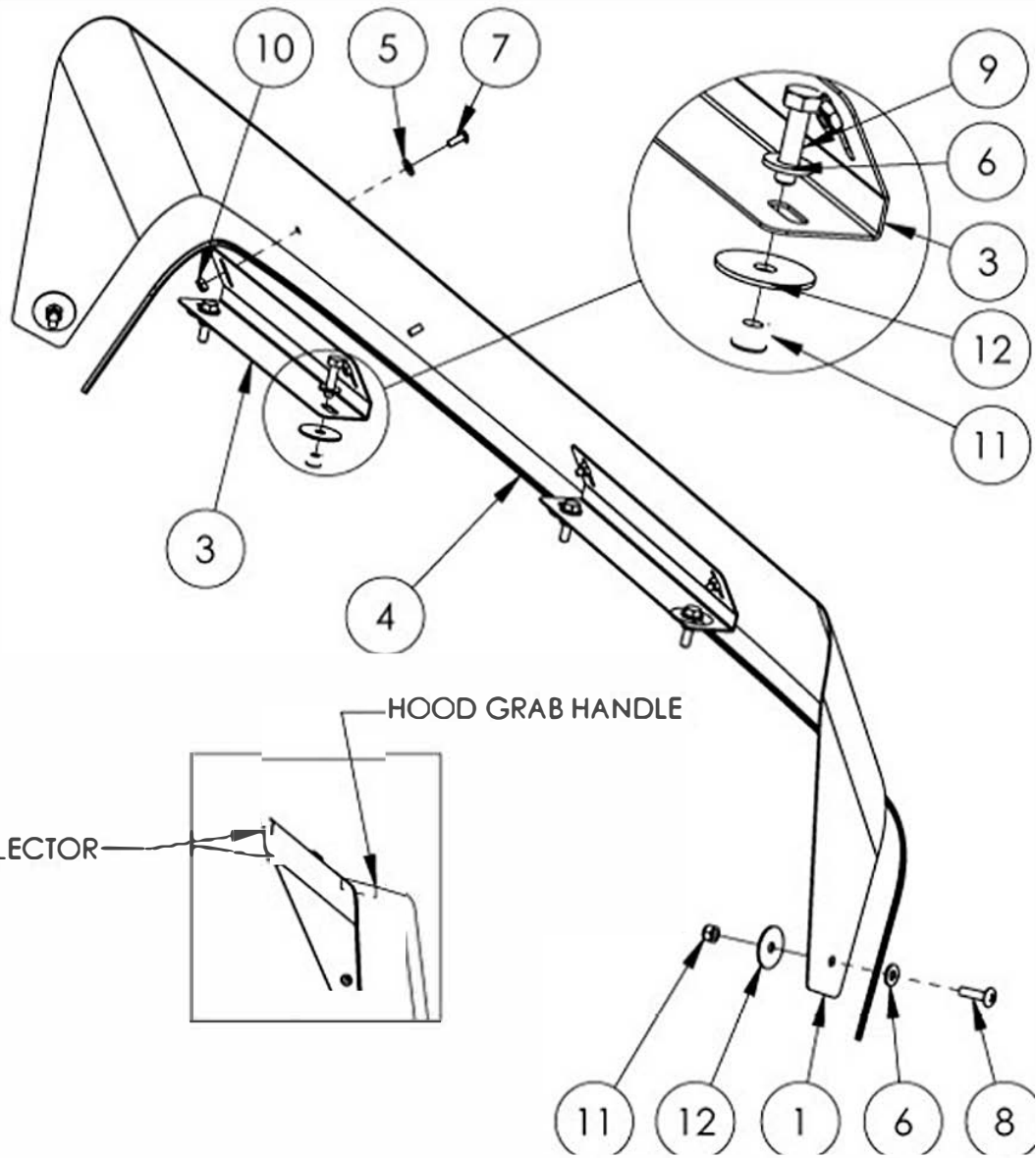
REMOVE THE HOOD DEFLECTOR TO PREVENT DAMAGE

- 5- DRILL HOLES AS MARKED AT 9/32" (.28125") DIA.
- 6- TEMPORARILY INSTALL THE DEFLECTOR AS ILLUSTRATED.
- 7- PRESS SIDE OF THE DEFLECTOR ONTO THE HOOD AND MARK HOLES.

CAUTION

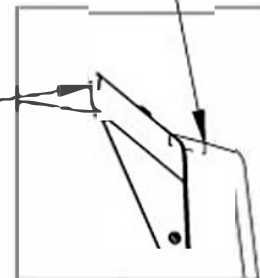
REMOVE THE HOOD DEFLECTOR TO PREVENT DAMAGE

- 8- DRILL SIDE HOLES AT 9/32" (.28125") DIA.
- 9- INSTALL THE DEFLECTOR WITH HARDWARE AS ILLUSTRATED.
- 10- TIGHTEN ALL SCREWS AND BOLTS.



HOOD GRAB HANDLE

HOOD DEFLECTOR



ITEM NO.	PART NO.	DESCRIPTION	QTY
1	M7121001SC	HOOD DEFLECTOR	1
2	K7121001BH	HARDWARE KIT INCLUDE:	1
3	-	PR34DEG	2
4	-	ES28-215-P80	1
5	-	FLAT WASHER ID# 10 X OD 1/2" SS	4
6	-	FLAT WASHER 1/4"	6
7	-	TRUSS PHILIPS #10-32NFX1/2" SS	4
8	-	TRUSS PHILIPS 1/4-20NC X 1	2
9	-	HEX. BOLT 1/4NC X 1	4
10	-	NYLON LOCK NUT # 10-32NF SS	4
11	-	NYLON LOCK NUT, 1/4-20 UNC	6
12	-	FENDER WASHER 1/4"OD 1 1/4"	6

TRUX ACCESSORIES

TITLE:

**HOOD DEFLECTOR**  
PETERBILT 330 2004 & UP

SIZE: **A**

DWG. NO.

NAME	DATE	REV	DATE
P.W.	17-11-2008	PHI	-
SCALE: 1:6		WEIGHT: LBS	
			SHEET: 1 OF 1