



BEFORE BEGINNING INSTALLATION, READ ALL INSTRUCTIONS

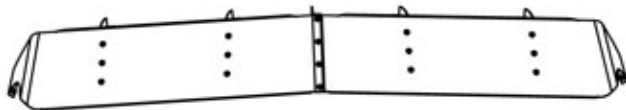
INSTALLATION INSTRUCTIONS

- 1- REMOVE THE EXISTING SUN VISOR AND RETAIN HARDWARE.
- 2- INSTALL THE BRACKETS ONTO THE CAB WITH THE RETAINED HARDWARE, DO NOT TIGHTEN.
- 3- TEMPORARILY INSTALL THE SUN VISOR AS ILLUSTRATED.
- 4- AT BOTH ENDS REMOVE DOOR GASCKETS AND PUSH THE SUN VISOR IN PLACE AND MARK HOLES IN DOOR FRAME.

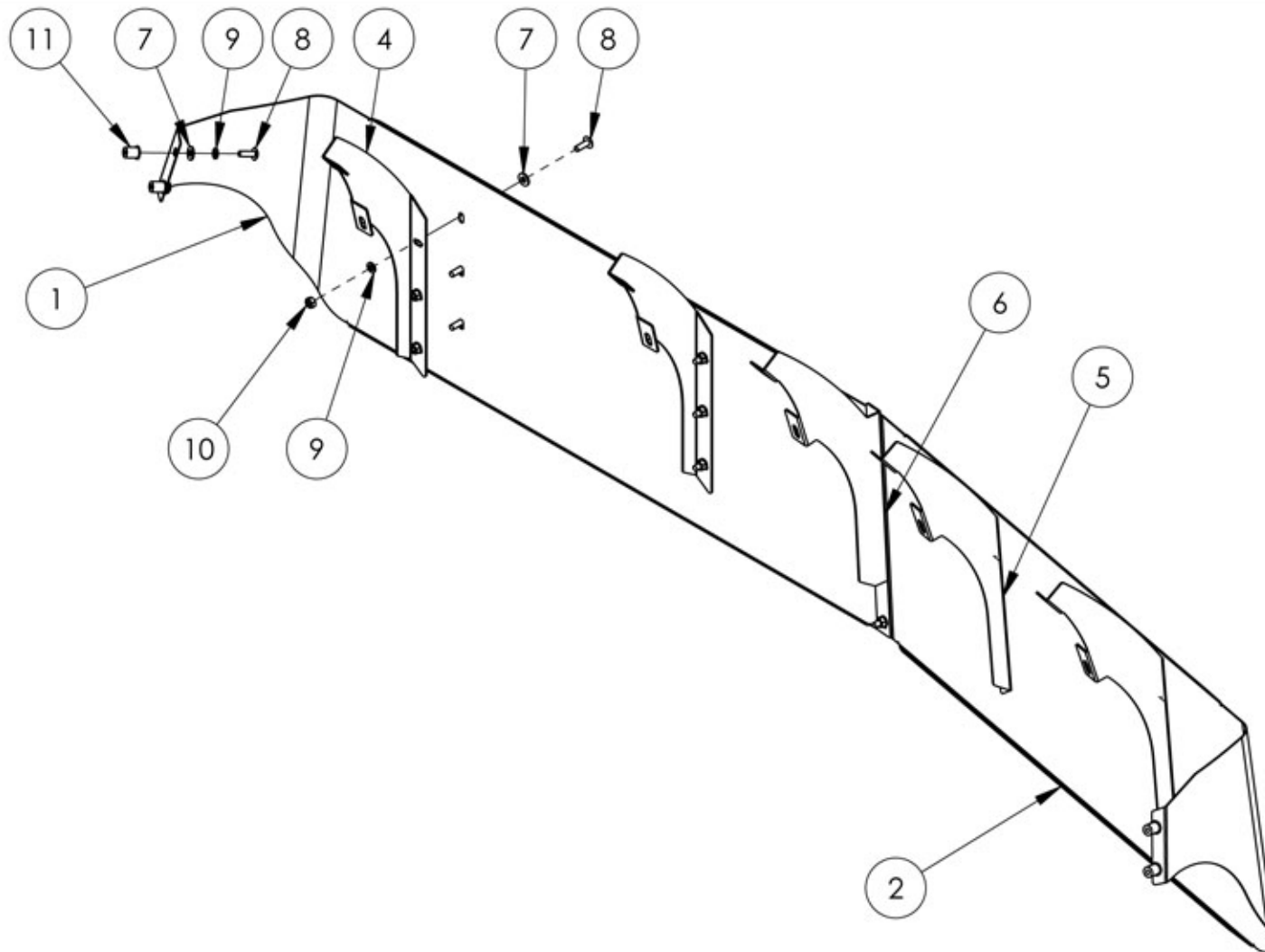
CAUTION

REMOVE SUN VISOR TO PREVENT DAMAGE

- 6- DRILL THE PREVIOUSLY MARKED OUT HOLES AT 25/64" (.390625")IN. DIA.
- 7- INSERT THE THREADED INSERT.
- 8- REINSTALL THE SUN VISOR ON THE CAB.
- 9- TIGHTEN ALL BOLTS AND SCREWS FIRMLY.



| TRUX ACCESSORIES | | | |
|---|-----------------------------|---------------|------|
| TITLE: SUN VISOR FREIGHTLINER BUSINESS CLASS M2 2006 & UP | | | |
| SIZE A | DWG. NO. TSUN-F28 | | |
| NAME | DATE | REV | DATE |
| DRAWN BY P.W. | - | PH1 | - |
| SCALE: 1:8 | WEIGHT: LBS | SHEET: 1 OF 1 | |



| ITEM NO. | PART NO. | DESCRIPTION | QTY |
|----------|------------|--------------------------------|-----|
| 1 | M7331014SG | SUN VISOR PANEL | 1 |
| 2 | M7331014SD | SUN VISOR PANEL | 1 |
| 3 | K7331014BH | HARDWARE KIT INCLUDES | 1 |
| 4 | - | PR9331014-G00 | 2 |
| 5 | - | PR9331014-D00 | 2 |
| 6 | - | PR9331014-C00 | 1 |
| 7 | - | FLAT WASHER 1/4" | 20 |
| 8 | - | TRUSS PHILIPS 1/4"-20NCX3/4"SS | 20 |
| 9 | - | LOCK WASHER 1/4" SS | 20 |
| 10 | - | HEX NUT 1/4-20NC | 16 |
| 11 | - | LF,INSERT STL 1/4"-20NC X.160 | 4 |

| TRUX ACCESSORIES | | | |
|---|-----------------------------|---------------|------|
| TITLE: SUN VISOR FREIGHTLINER BUSINESS CLASS M2 2006 & UP | | | |
| SIZE A | DWG. NO. TSUN-F28 | | |
| NAME | DATE | REV | DATE |
| DRAWN BY P.W. | - | PH1 | - |
| SCALE: 1:8 | WEIGHT: LBS | SHEET: 1 OF 1 | |