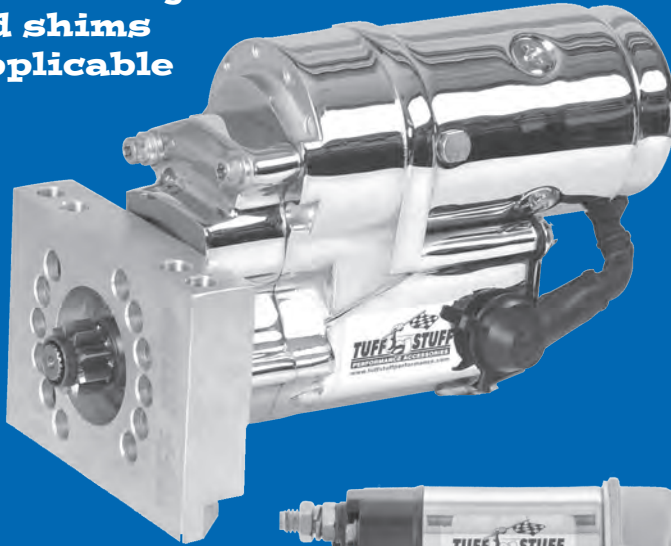


Mini Gear Reduction & Full Size Starters

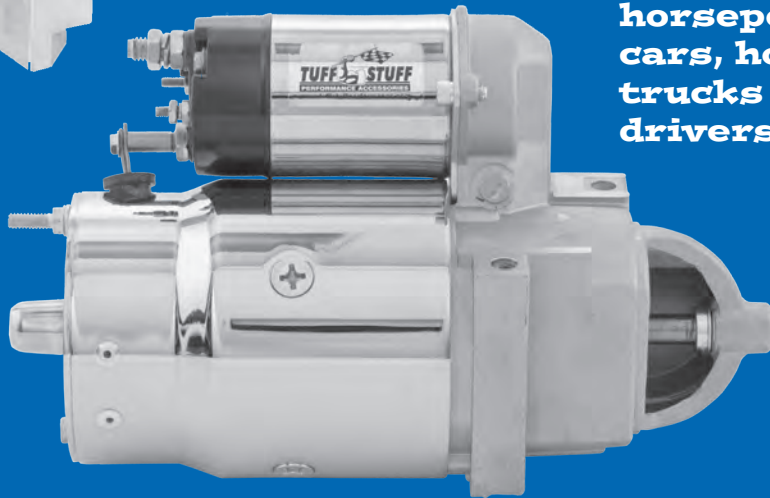
All starters include mounting bolts and shims where applicable



Finishes include chrome plated, zinc plated, stealth black and powder coated in a variety of colors

Most gear reduction starters - which are considerably smaller than the OE starters - incorporate a mounting block that can be indexed to gain additional clearance

Ideal for high horsepower muscle cars, hot rods, trucks and daily drivers



SERIES INCLUDE

10MT	Full size GM starter
PMGR	Permanent Magnet & Gear Reduction
HI-OSGR	Hitachi gear reduction starter
4.5"	Full size Ford starter
Mini Denso	Tuff Torque Premium starter

Tuff Stuff starters are hand made from premium quality new components - not remanufactured - and are quality built in USA

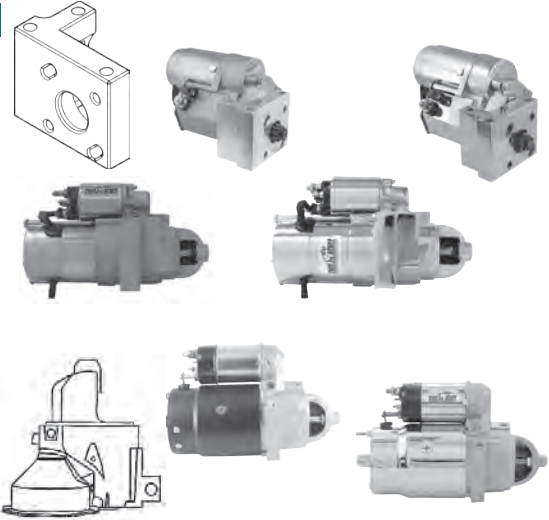
**Premium
Quality**

Chevrolet Starters

CHEVROLET SMALL & BIG BLOCK

1955-2000 With OFFSET mounting block and 168 tooth flywheel

Finish	Style	Series	HP	Index	Item
Chrome	GR 18:1	Mini denso	3	Y	13510A
Zinc	GR 18:1	Mini denso	3	Y	13510
Chrome	GR 4.4:1	PMGR 1.7kw	2.3	N	6510NA
Zinc	GR 4.4:1	PMGR 1.7kw	2.3	N	6510NB
Chrome	OEM	10MT 1.4kw	1.9	N	3510A
Chrome	OEM	10MT 1.4kw	1.9	N	3510AC
Stealth black	OEM	10MT 1.4kw	1.9	N	3510B
Blue	OEM	10MT 1.4kw	1.9	N	3510BBLUE
Orange	OEM	10MT 1.4kw	1.9	N	3510BORANGE
Red	OEM	10MT 1.4kw	1.9	N	3510BRED
Yellow	OEM	10MT 1.4kw	1.9	N	3510BYELLOW



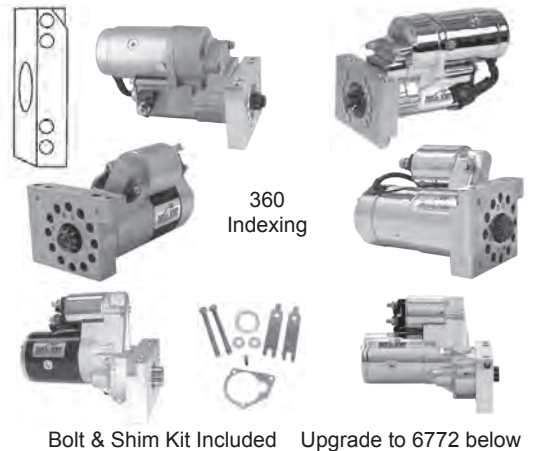
1957-81 With OFFSET mounting block for manual transmission, 168 tooth flywheel, cast iron nose

Chrome	OEM	10MT 1.4kw	1.9	N	3689A
Stealth black	OEM	10MT 1.4kw	1.9	N	3689B



1955-2000 w/STRAIGHT mounting block & 153 or 168 tooth flywheel

Chrome	GR 18:1	Mini denso	3	Y	3193NA
Zinc	GR 18:1	Mini denso	3	Y	3193NB
Chrome	GR 6.1:1	PMGR	1.6	Y	6550A
Zinc	GR 6.1:1	PMGR	1.6	Y	6550B
Chrome	GR 1.4KW	HI-OSGR	1.9	Y	6584A
Stealth black	GR 1.4KW	HI-OSGR	1.9	Y	6584B
Blue	GR 1.4KW	HI-OSGR	1.9	Y	6584BBLUE
Orange	GR 1.4KW	HI-OSGR	1.9	Y	6584BORANGE
Red	GR 1.4KW	HI-OSGR	1.9	Y	6584BRED
Yellow	GR 1.4KW	HI-OSGR	1.9	Y	6584BYELLOW
Chrome	GR 18:1	HI-OSGR	3	Y	6772A
Stealth black	GR 18:1	HI-OSGR	3	Y	6772B



Bolt & Shim Kit Included Upgrade to 6772 below

CHEVROLET V8 & I-6

1957-63 V8 cars and 1962-82 I-6 & V8 trucks w/3 bolt mounting

Chrome	OEM	10MT 1.4kw	1.9	N	3686A
Stealth black	OEM	10MT 1.4kw	1.9	N	3686B



CAMARO & FIREBIRD

1993-95 w/5.7L, STRAIGHT mounting holes

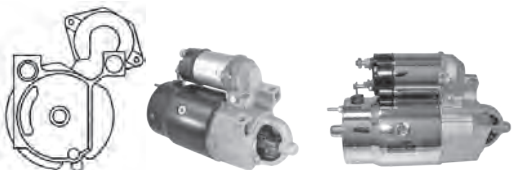
Chrome	GR 4.4:1	PMGR 1.4kw	1.9	N	6631NA
Zinc	GR 4.4:1	PMGR 1.4kw	1.9	N	6631NB



CHEVROLET & OLDSMOBILE

STRAIGHT mounting block, 1 long & 1 short bolt, 153 tooth flywheel

Chrome	OEM	10MT 1.4kw	1.9	N	3631A
Stealth black	OEM	10MT 1.4kw	1.9	N	3631B



GM-Chrysler Starters



CORVETTE, CAMARO & FIREBIRD

1998-01 Camaro & Firebird w/LS1, 168 tooth flywheel

1997-01 Corvette w/LS1 & LS6

Finish	Style	Series	HP	Index	Item
Chrome	GR	PMGR	1.9	N	6492A
Zinc	GR	PMGR	1.9	N	6492B

NEW >

Chrome	GR	Mini denso	3	Y	13310A
Zinc	GR	Mini denso	3	Y	13310

CHEVROLET BUICK OLDS PONTIAC

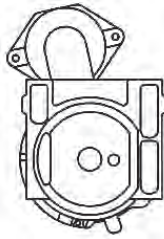
1995-07 With 3.4 or 3.8L V6, 1 long and 1 short bolt

Chrome	GR	PMGR	1.6kw	2.2	N	6431NA
Zinc	GR	PMGR	1.6kw	2.2	N	6431NB

OLDSMOBILE PONTIAC

1965-83 With straight mounting block w/2 long straight bolts, 168 tooth flywheel

Chrome	OEM	10MT	1.4kw	1.9	N	3570A
Stealth black	OEM	10MT	1.4kw	1.9	N	3570B



NEW > 330-455 w/stock ring gear, does not fit 6.6L

Chrome	GR	Mini denso	3	Y	13186A
Zinc	GR	Mini denso	3	Y	13186

AMC JEEP

1976-77 AMC Gremlin, Hornet 3.8L, 4.2L, 5.0L

1976-77 AMC Matador 4.2L, 5.0L, 5.9L

1976-77 AMC Pacer 3.8L, 4.2L

1974-75 Jeep Grand Wagoneer 5.9L, 6.6L

1974-77 Jeep CJ Series 3.8L, 4.2L, 5.0L

1974-77 Jeep J Series Pickup 4.2L, 5.9L, 6.6L

1974-77 Jeep Cherokee 4.2L, 5.9L, 6.6L

1976-77 Jeep Wagoneer 5.9L, 6.6L

Chrome	OEM	4.5"		N	3211NA
Stealth black	OEM	4.5"		N	3211NB

CHRYSLER

1965-83 225, 273, 318, 340, 360, 361, 383, 400, 426, 440

Chrome	GR	Mini denso	3	N	6084A
Gray	GR	Mini denso	3	N	6084B



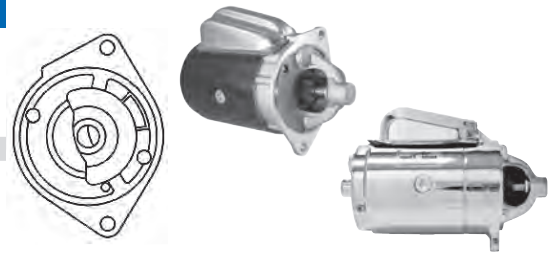
**Premium
Quality**

Ford Starters

FORD

1963-91 289, 302, 351 w/automatic transmission, 2 bolt mounting

Finish	Style	Series	HP	Index	Item
Chrome	OEM	4.5" 1.4kw	1.9	N	3124A
Stealth black	OEM	4.5" 1.4kw	1.9	N	3124B
Blue	OEM	4.5" 1.4kw	1.9	N	3124BBLUE
Yellow	OEM	4.5" 1.4kw	1.9	N	3124BYELLOW



1963-91 289, 302, 351 w/automatic transmission, 2 bolt mounting and Arias/Root 429 big block

Chrome	GR 3.75:1	HI-OSGR 1.4kw	1.9	Y	6585A
Stealth black	GR 3.75:1	HI-OSGR 1.4kw	1.9	Y	6585B
Blue	GR 3.75:1	HI-OSGR 1.4kw	1.9	Y	6585BBLUE
Red	GR 3.75:1	HI-OSGR 1.4kw	1.9	Y	6585BRED
Yellow	GR 3.75:1	HI-OSGR 1.4kw	1.9	Y	6585BYELLOW



Chrome	GR 3.75:1	HI-OSGR 2.0kw	2.6	Y	6785A
Stealth black	GR 3.75:1	HI-OSGR 2.0kw	2.6	Y	6785B



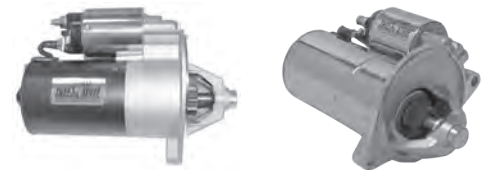
1963-91 289, 302, 351 w/automatic transmission, 2 bolt mounting

1991-93 Thunderbird 5.0L w/auto trans, 2 bolt mtg, 4.084" reg bore

1992-95 Mustang 5.0L w/automatic transmission, 2 bolt mounting

Chrome	GR	PMGR 1.4kw	1.9	N	6124A
Stealth black	GR	PMGR 1.4kw	1.9	N	6124B

Upgrade to 6585 or 6785 - see above



1963-91 289, 302, 351 w/auto or manual transmission, 2 bolt mtg

Chrome	GR	Mini denso	3	Y	13124A
White zinc	GR	Mini denso	3	Y	13124

←NEW



1965-74 289, 302, 351 w/manual transmission, 2 bolt mounting

Chrome	OEM	4.5" 1.4kw	1.9	N	3132A
Stealth black	OEM	4.5" 1.4kw	1.9	N	3132B

Chrome	GR	Mini denso	3	Y	13132A
Zinc	GR	Mini denso	3	Y	13132

←NEW



Chrome	GR	PMGR 1.4kw	1.9	N	6132A
Stealth black	GR	PMGR 1.4kw	1.9	N	6132B



FORD MUSTANG

1966-81 255 V8 & 1992-93 2.3L Mustang, 3 bolt mounting

Chrome	GR	PMGR 1.4kw	1.9	N	6131A
Stealth black	GR	PMGR 1.4kw	1.9	N	6131B



Ford Starters



FORD

3 bolt mounting

1992-09 Ford Crown Victoria 4.6L

1994-97 Ford Thunderbird 4.6L

1996-04 Ford Mustang 4.6L

1997-98 Ford Expedition 4.6L, 5.4L

1997-98 Ford F Pickup 4.6L, 5.4L

1997-09 Ford E Van 4.6L, 5.4L, 6.8L

1993-98 Lincoln Mark VIII 4.6L

1998 Lincoln Navigator 5.4L

1992-09 Lincoln Town Car 4.6L

1994-97 Mercury Cougar 4.6L

1992-09 Mercury Grand Marquis 4.6L

2003-04 Mercury Marauder 4.6L

Finish	Style	Series	HP	Index	Item
Chrome	GR 3.75:1	PMGR 1.4kw	1.9	N	6221A
Zinc	GR 3.75:1	PMGR 1.4kw	1.9	N	6221B

Noseless

2005-09 Ford Mustang 4.6L

2007-09 Ford Mustang 5.4L

1999-04 Ford Expedition 4.6L

1999-09 Ford Expedition 5.4L

2000-05 Ford Excursion 5.4L, 6.8L

1999-08 Ford F Series Pickup 4.6L

1999-09 Ford F Series Pickup 5.4L, 6.8L

1999-09 Lincoln Navigator 5.4L

2002 Lincoln Blackwood 5.4L

2006-08 Lincoln Mark LT 5.4L

Chrome GR PMGR 1.4kw 1.9 N 6646A

Zinc GR PMGR 1.4kw 1.9 N 6646B

1978-80 L6 200 w/automatic transmission

Stealth black OEM 4.5" 1.4kw 1.9 N 3160B

1969-77 351, 400, 429, 460 w/2 hole mounting, one hole is threaded

Chrome OEM 4.5" 1.4kw 1.9 N 3149A

Stealth black OEM 4.5" 1.4kw 1.9 N 3149B

NEW Chrome GR Mini denso 3 Y 13149A

Zinc GR Mini denso 3 Y 13149

1968-81 255, 352, 390, 427, 428 FE w/3 bolt mounting, automatic or manual

Chrome OEM 4.5" 1.4kw 1.9 N 3131A

Stealth black OEM 4.5" 1.4kw 1.9 N 3131B

NEW Chrome GR Mini denso 3 Y 13131A

White zinc GR Mini denso 3 Y 13131

HOT START KIT

Give your starter an extra 12 volt boost
Eliminates slow cranking due to excessive engine heat
Ideal for GM full-size OEM starters

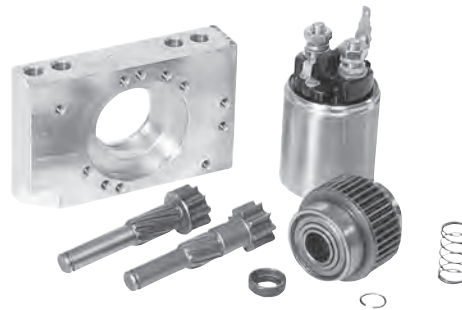
Description	Item
Complete hot start kit	7629
Hot start solenoid only	7629-1



STARTER REPAIR KIT

Rebuild parts kit for Tuff Stuff mini-starter 6584
Complete kit includes full-spline pinion

Description	Item
Complete rebuild kit, full spline	7584A
Full spline pinion	7584C
Clutch assembly	7584E
Mounting block	7584F
Solenoid	7584G
Chrome solenoid	7584GA



CHROME PLATED STARTER KIT

Chrome plate your original starter with that awesome Tuff Stuff chrome plated finish. Provides the look of a chrome plated starter without having to buy a new starter.

Fits most Chevy, Buick, Cadillac, Olds & Pontiac OEM starters and Tuff Stuff 3510, 3570, 3631 & 3689

Description	Item	
Chrome plated starter kit	7550A	
Chrome plated starter solenoid only	7550C	<NEW
Silver zinc (not chrome) starter solenoid	7310G	<NEW
Chrome plated solenoid cover only	7624	



REPLACEMENT STARTER BOLT KITS

Original style starter mounting bolts provides correct starter to engine alignment. Frequently eliminates chattering problems arising from worn-out bolts. 2 bolts per kit.

Fits most full size Chevy, Buick, Olds, Pontiac and Tuff Stuff 3510 & 3570 starters with 3/8-16" x 4-5/8" bolts.

Finish	Item
Chrome	7623A
Gold zinc	7623B



REPLACEMENT SHIM AND BOLT KIT

Same shim kit that is included with most Tuff Stuff mini starters
Ensures proper flywheel ring gear clearance on 6584 and 6772 starters. Includes 2 starter mounting bolts, 2 starter shims and 4 motor shims.

Description	Item
Shim and bolt kit	7633

