

# LED BEACON

## OPERATION

**RED:** To +VDC

**BLACK:** To Chassis Ground (-)

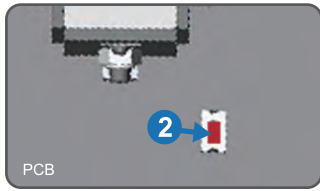
## FLASH PATTERN SELECTION

### 1. Open

Twist the dome lens counter clockwise ①, then lift the dome lens to open.

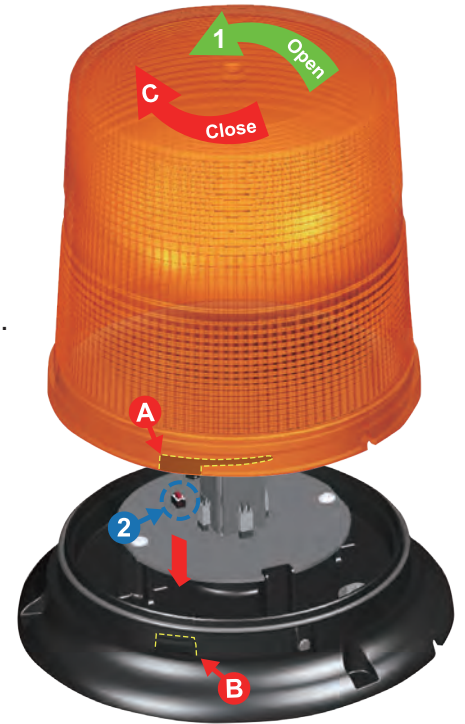
### 2. Change

Momentarily push the red button to change to the next flash pattern. (see Flash Patterns Chart)



### 3. Close

Align dome indent **A** with base **B**, then twist clockwise **C** to close.



## FLASH PATTERNS

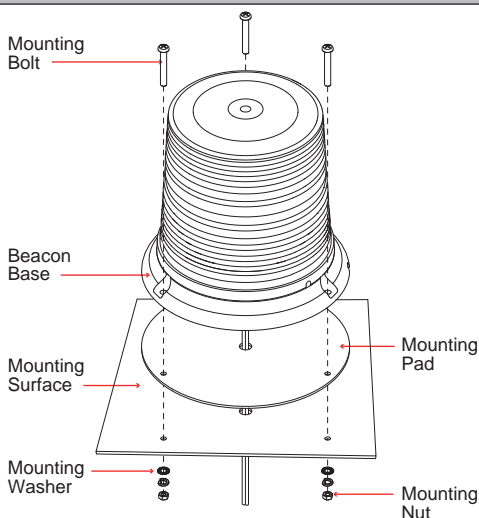
|   |         |   |        |
|---|---------|---|--------|
| 1 | 8 Flash | 4 | Triple |
| 2 | Single  | 5 | Quad   |
| 3 | Double  |   |        |

**NOTE:** This unit may not be factory-set at FP#1

### WARNING:

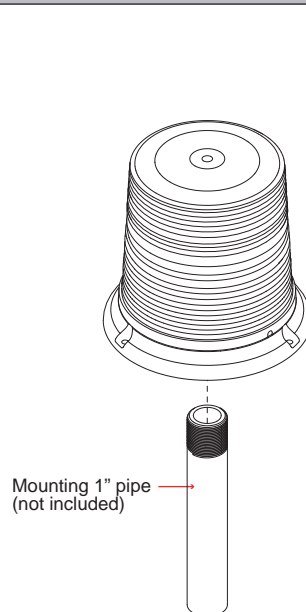
It is not recommended to use magnetically mounted warning devices on outside of vehicle in motion. Usage is at the sole risk and responsibility of the user.

### 3 Bolt Mount

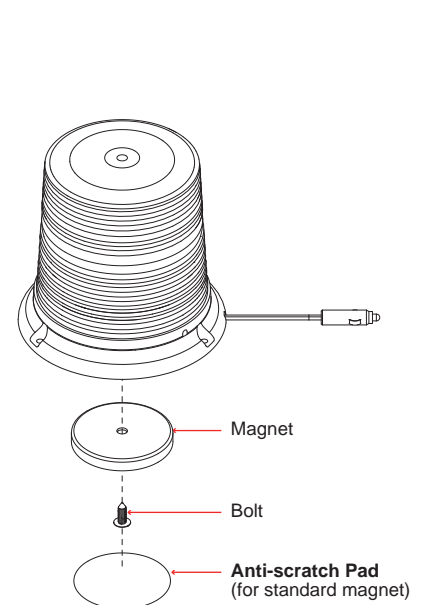


1. Drill holes on the mounting surface for the wire-exit and mounting bolts.
2. Secure the beacon onto the mounting surface with mounting bolts.

### 1" Pipe Mount



### Magnetic Mount



**NOTE:** All diagrams may not show in scale.

Find more United Pacific products on our website.

Learn more about emergency and warning lighting we have.