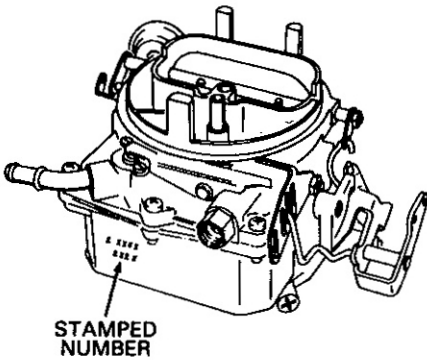


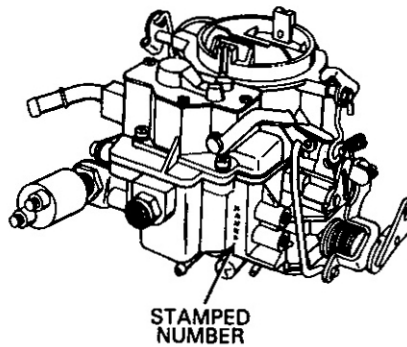
UREMCO

CARBURETOR MODEL-NUMBER IDENTIFICATION

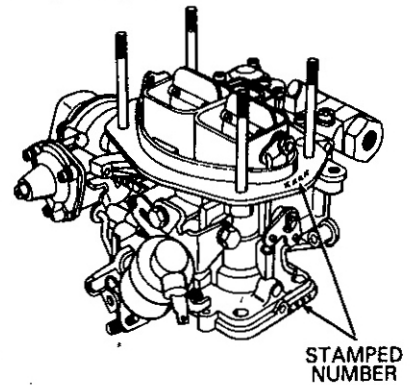
HOLLEY 2 BBL, 2209, 2210, 2245



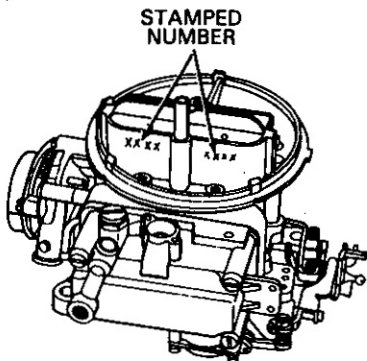
HOLLEY 2 BBL, 2280



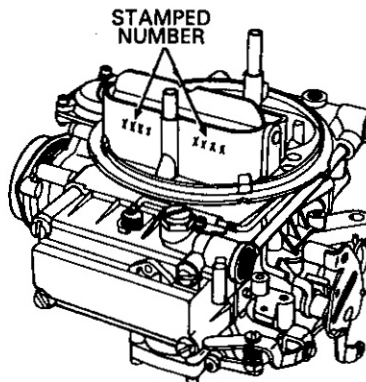
HOLLEY 2 BBL, 5200, 5210, 5220, 6500, 6510, 6520



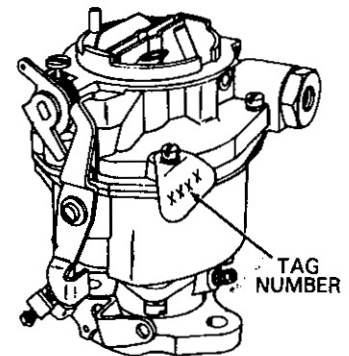
HOLLEY 2 BBL, 2300, 2380



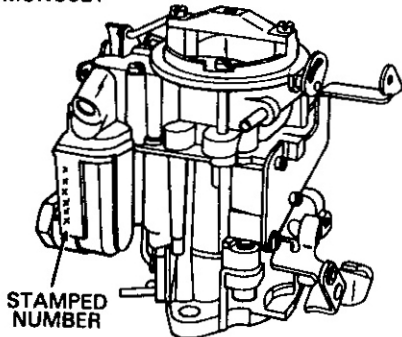
HOLLEY 4 BBL, 4150, 4160, 4165, 4175, 4180, 4190



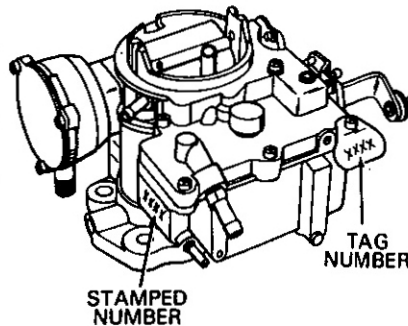
ROCHESTER 1 BBL, B, BC, BV



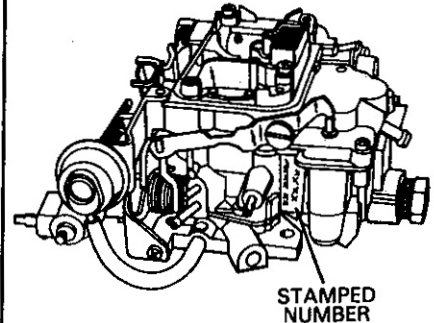
ROCHESTER 1 BBL, M, MV, 1ME, 1MV, MONOJET



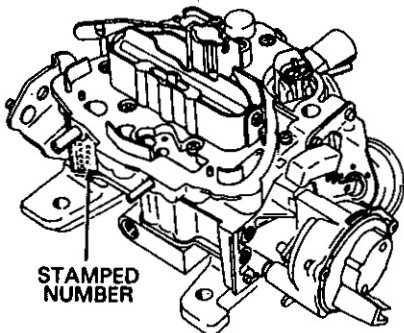
ROCHESTER 2 BBL, TWO-JET, 2G, 2GC, 2GV, 2GE



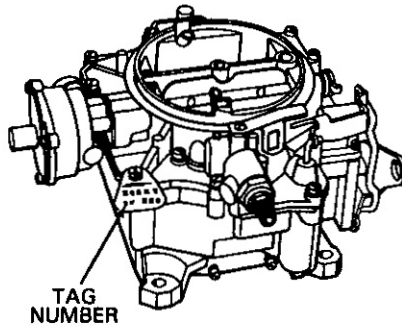
ROCHESTER 2 BBL VARAJET, 2SE, E2SE



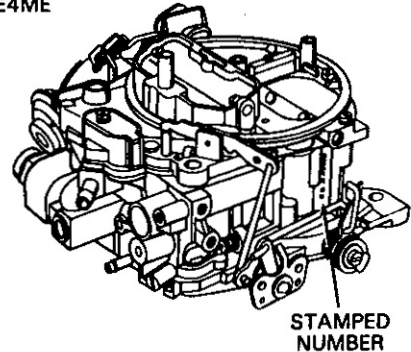
ROCHESTER 2 BBL, DUALJET, 210, M2MC, M2ME, E2ME, E2MC



ROCHESTER 4 BBL, 4G, 4GC

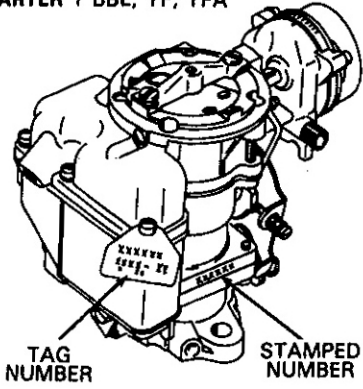


ROCHESTER 4 BBL, QUADRAJET, 2MC, 4M, 4MC, 4MV, M4MC, M4MV, E4MC, E4ME

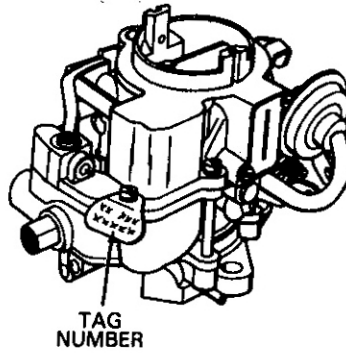


CARBURETOR MODEL-NUMBER IDENTIFICATION

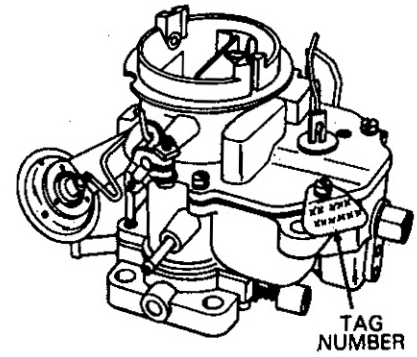
CARTER 1 BBL, YF, YFA



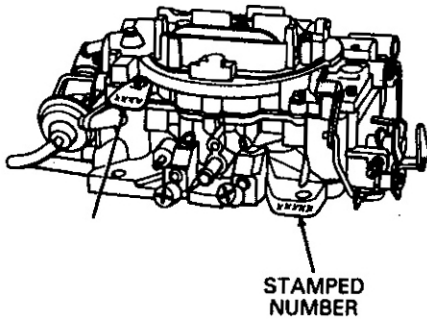
CARTER 1 BBL, BBS



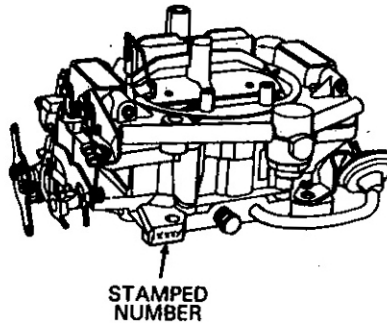
CARTER 2 BBL, BBD



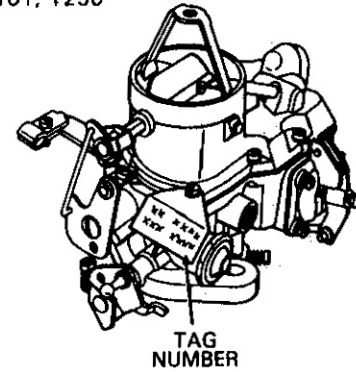
CARTER 4 BBL, AFB, AVS



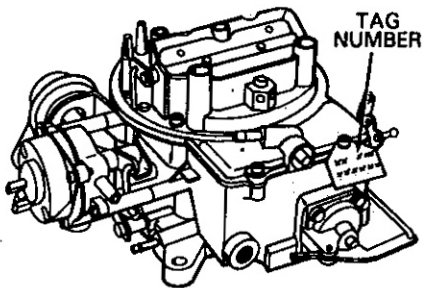
CARTER 4 BBL, TQ THERMOQUAD



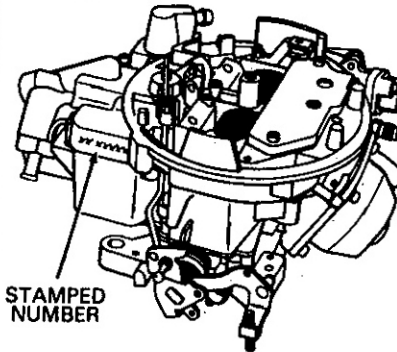
FORD-MOTORCRAFT 1 BBL, 1100, 1101, 1250



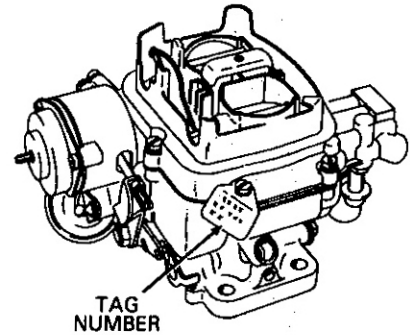
FORD-MOTORCRAFT 2 BBL, 2100, 2150



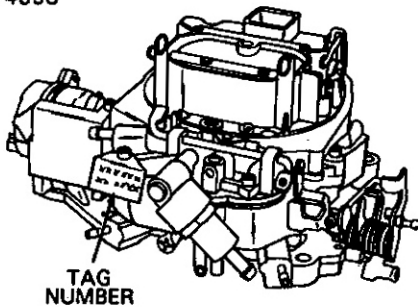
FORD-MOTORCRAFT 2 BBL, VARIABLE VENTURI, 2700, 7200



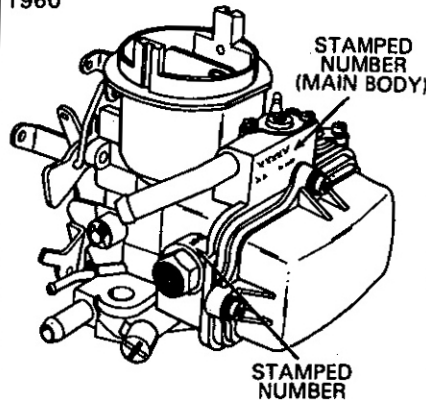
FORD-MOTORCRAFT 2 BBL 740



FORD-MOTORCRAFT 4 BBL, 4300, 4350



HOLLEY 1 BBL, 1904, 1908, 1920, 1960



HOLLEY 1 BBL, 1940, 1945, 1946, 6145, 6146

