



2005-2011 Toyota Tacoma Front Winch Bumper w/ Brush Guard & D-Ring Mounts

P/N 4530

Kit Contents:

<u>Item</u>	<u>Qty</u>	<u>Item</u>	<u>Qty</u>
Winch Bumper with Brush guard	1	½" x 5" Hex Bolts	4
Lower Brush Guard Cross Tube	1	½" 2-Way Lock Nuts	4
Factory Fog Light Bucket Set (P/N 4500-2)	1	½" USS Flat Washers	8
3/8" x 1" Stainless Button Head Screw	2	Spacing Washers	12
3/8" Stainless Steel Washers	2		

Bumper Installation Instructions:

1. First, you will need to completely remove your factory front bumper and radiator grill. Start by disconnecting the cable from the negative battery terminal.
2. Remove the two screws securing the top center of the radiator grill. See **Figure 1** at right.
3. Using a clip remover or a flat head screwdriver, carefully remove the 2 clips on the top outer corners of the radiator grill. See **Figure 1** at right. Gently pry up on the center button of the clip to release.
4. Release the lower corner grill clips from the back side of the grill (radiator side). The location of these clips are indicated by a dotted triangle in **Figure 1**. Gently pry the tab on top sideways to release the grill from the clip.
5. Pull the radiator grill upward to remove.
6. Next, remove the front bumper cover. Start by applying some protective tape to the outer circumference of the front bumper cover as shown in **Figure 2** at right.
7. Remove the 6 screws shown in **Figure 2** (2 at each end of the bottom of the bumper cover, and 1 in each wheel well inside a "D" shaped opening in the fender liner).
8. Using a clip remover or flat head screwdriver, carefully remove all clips by prying up the center button (3 on the top of the bumper, 4 below the bumper in the center, and 1 on each side of the wheel wells).

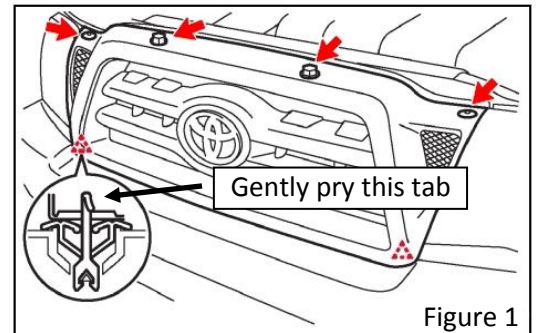


Figure 1

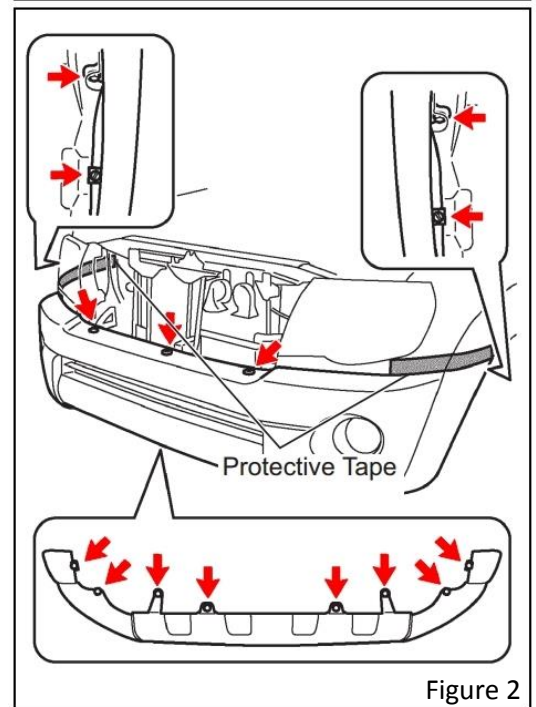


Figure 2



9. Disconnect the 2 factory fog light connectors as shown in **Figure 3** below.
10. Disengage the 2 claws as shown in **Figure 3** below.
11. Remove the front bumper cover by pulling upward on the bottom of the bumper skin.
12. You will now need to remove the bumper sub-assembly by removing 6 nuts. See **Figure 4** below. Make sure to save these 6 nuts, as you will need them to complete your bumper installation.
13. If the sub-assembly does not release, you may have to drive a wedge, chisel, or screwdriver in-between the aluminum flange and the steel frame mounting flange to separate the sub-assembly.

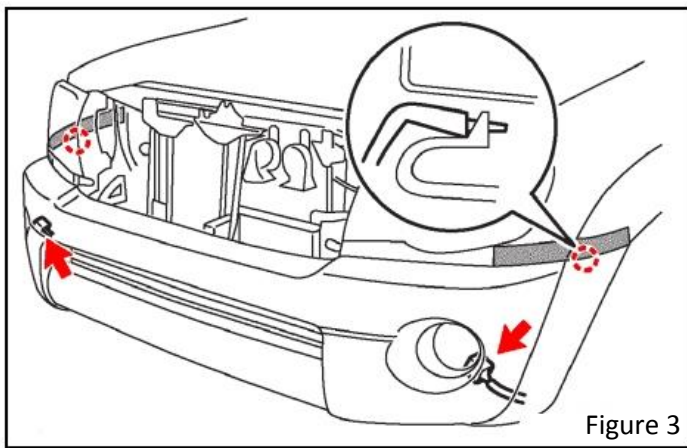


Figure 3



Figure 4

14. Before placing the bumper on the vehicle, check the frame holes to verify clearance for the ½" x 5" winch plate reinforcement hex bolts. There are 2 locations per side, one above, and one below the mounting studs as indicated in **Figure 5**. Using one of your ½" x 5" Hex Bolts, pass the bolt through the entire frame and out the back side at all 4 locations. If the bolt does not pass through, you will have to enlarge the holes slightly using a ½" drill bit. If you have to enlarge any holes, we suggest you paint the exposed raw metal edge of the hole to prevent rust development.
15. Next, trim or tuck the fender liners. To trim the liners, cut them just forward of the clips that hold them in place at the top, front of the fender. The clips and general trim location are shown in **Figure 6**. To tuck the fender liners, you can pull the loose end of the liner up to the support directly under the headlights and secure them using zip-ties through existing holes.
16. Position your Warrior bumper over the existing mounting studs. (**Use extreme caution while positioning the bumper to avoid damage to the vehicle**). We suggest you find a friend or two to help at this point.
17. Hand tighten each of the six nuts you saved from the bumper sub-assembly removal in Step 12. Three nuts will be installed per side.

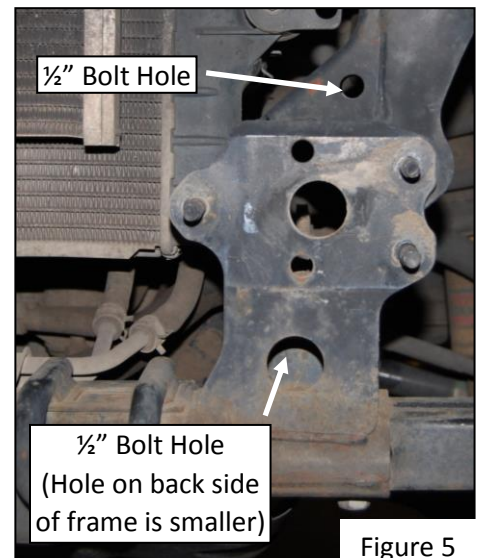


Figure 5

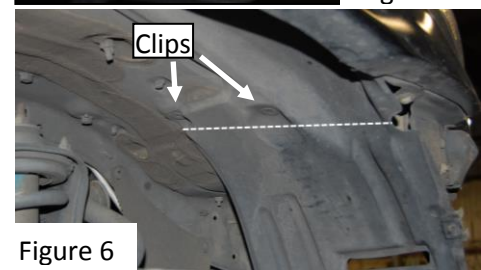


Figure 6

QUALITY



INTEGRITY



INNOVATION



SERVICE



18. Insert two of the ½" x 5" Hex Bolts with a ½" USS Flat Washer through the top slots of the bumper mounting plate. Use spacing washers (the washers with the smaller outside diameter) to fill the gap between the bumper mounting plate and the body mount portion of the frame as shown in **Figure 7**. Select the appropriate number of spacer washers to match the size of the gap as closely as possible (most applications will use 5 spacer washers per side.) Insert the ½" x 5" bolt through the mounting plate, through the spacing washers, and then completely through the frame. (You can create more finger space by backing off the 6 nuts threaded on in step 17).
19. Insert the two remaining ½" x 5" Hex Bolts with a ½" USS Flat Washer through the bottom slots of the mounting plate on each side, and again, entirely through the truck frame. (Note: The hole on the rear side of the frame member is smaller, and off-center when compared to the hole on the front side).
20. Place a ½" USS Flat Washer and a ½" 2-way lock nut on each of the four bolts.
21. Visually align bumper, then fully tighten the [6] factory nuts and [4] ½" x 5" Hex Bolts.

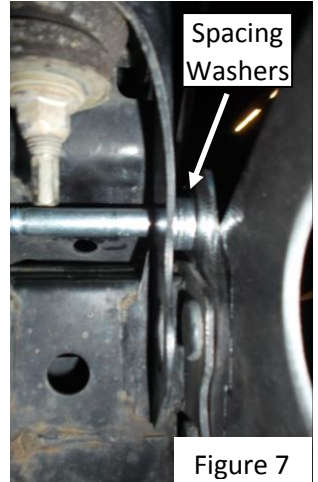


Figure 7

Light Bucket Installation:

1. See enclosed instruction sheet, 4550-2 "Factory Fog Light Bucket assembly and Installation."

Winch Installation:

1. If you have a winch to install, you may do so now. The Warrior Front Winch Bumper will accommodate most 8,000-12,000 pound winches currently on the market.
2. Depending on the size of your winch, you may have to remove the lower grill support for clearance. You may also have to remove, or loosen the hood latch support at the middle of the radiator. See **Figure 8**.
3. Place your winch on the winch plate. A second set of hands may be helpful for positioning the winch.
4. Thread your winch line through the fairlead hole.
5. Attach the Fairlead, align and tighten as directed.
6. Bolt your winch to the winch plate using mounting hardware included with your winch.

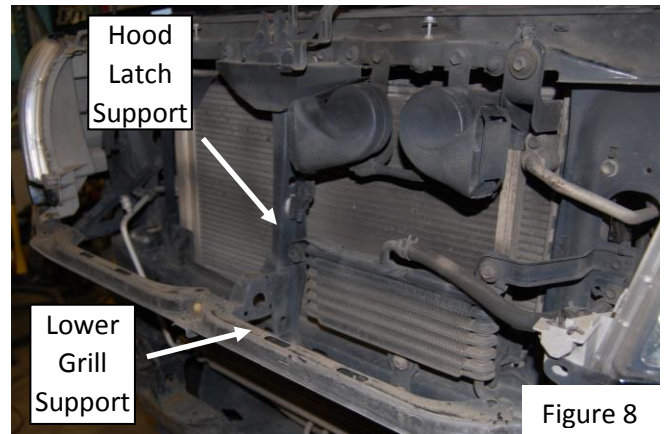


Figure 8

Grill Reinstallation:

1. Install the brush guard lower cross tube using the [2] 3/8" x 1" stainless steel button head screws and [2] stainless steel washers. (Note: The cross tube has a specific orientation. Position it so that the angled edges of the end plates match up to the angle of brush guard support.)
2. Reinstall the factory radiator grill. Grill installation is the reverse of removal (Steps 1-4)
3. Reconnect the battery cable to the negative battery terminal.
4. Installation Complete.