

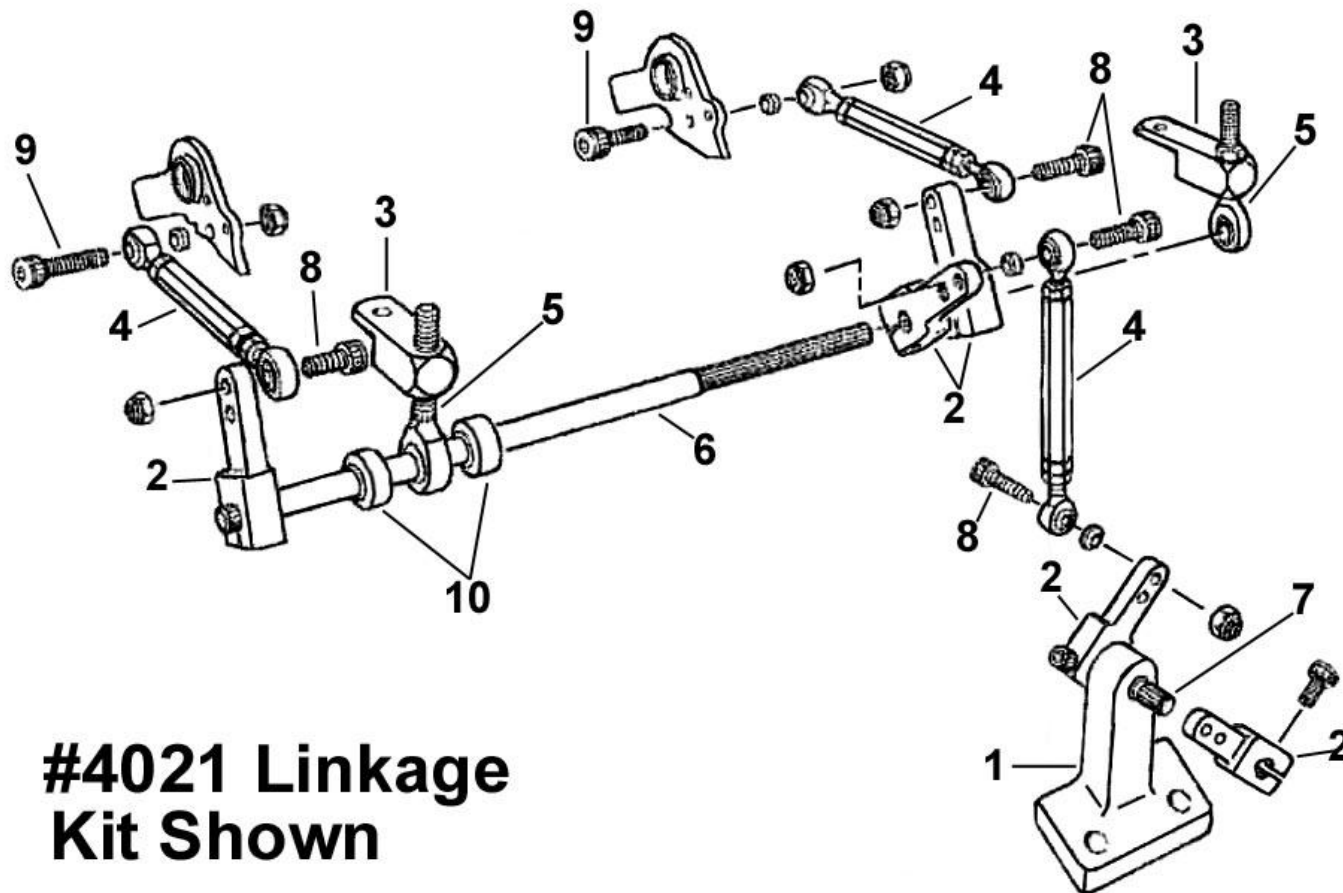


## Throttle Linkage Kits for Side-Mount Carburetors P/N 4021, 4022, 4023, 4025, 4027, & 4032

**NOTE:** Linkage rods may be positioned on either side of the lever arms.

**NOTE:** Linkage kit #4021 is shown. Other linkage kits are similar.

| Item # | Qty | Description                            |
|--------|-----|--|
| 1      | (1) | Manifold Bracket                       |
| 2      | (5) | Splined Lever Arms                     |
| 3      | (2) | Linkage Support Bracket                |
| 4      | (3) | Aluminum Hex Shaft<br>-(2) 4" & (1) 3" |
| 5      | (2) | Male Rod Ends                          |
| 6      | (1) | 5/16 x 12" Splined Shaft               |
| 7      | (1) | 5/16 x 1 3/4" Splined Shaft            |
| 8      | (4) | 10-32 x 7/8" Socket Head Cap Screws    |
| 9      | (2) | 10-32 x 1" Socket Head Cap Screws      |
| 10     | (2) | I.D. Locking Collars                   |



**#4021 Linkage Kit Shown**