

# INSTALLATION INSTRUCTIONS

## AT6 RUNNING BOARDS



APPLICATION:

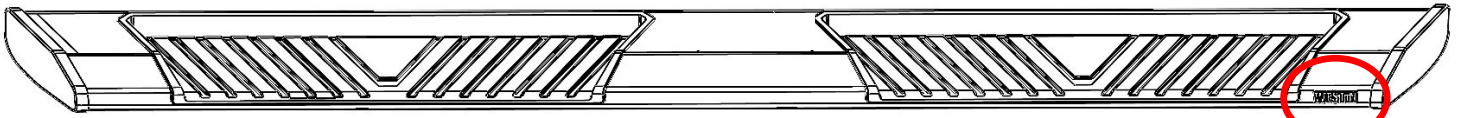
2019-2025 RAM 1500 CREW CAB (EXCL. 2019+ 1500 CLASSIC)

PART NUMBER:

24-64085

| CONTENT |          |  |               |
|---------|----------|--|---------------|
| ITEM    | QUANTITY | DESCRIPTION  | TOOLS NEEDED  |
| 1,2     | 2        | STEP BAR ASSEMBLY (1 DRIVER, 1 PASSENGER)                                | 10MM SOCKET   |
| 3       | 2        | MOUNTING BRACKET A   | 10MM WRENCH   |
| 4       | 1        | MOUNTING BRACKET B   | 13MM SOCKET   |
| 5       | 6        | MOUNTING BRACKET C   | RATCHET       |
| 6       | 3        | MOUNTING BRACKET D   | TORQUE WRENCH |
| 7       | 6        | PLASTIC COVER BRACKET  |               |
| 8       | 12       | M10 BUTTON HEAD SCREW (YELLOW ZINC)<br>(FOR PART #: 24-64080)            |               |
| 9       | 12       | M10 INTERNAL TOOTHED LOCK WASHER (YELLOW ZINC)<br>(FOR PART #: 24-64080) |               |
| 10      | 12       | M10 FLAT WASHER (YELLOW ZINC)<br>(FOR PART #: 24-64080)                  |               |
| 11      | 24       | M8 HEX NUT (YELLOW ZINC)   |               |
| 12      | 24       | M8 FLAT WASHER (YELLOW ZINC)   |               |
| 13      | 24       | M8 SPLIT LOCK WASHER (YELLOW ZINC)                                       |               |
| 14      | 6        | M8 ROUND HEAD SQUARE NECK BOLT (YELLOW ZINC)                             |               |
| 15      | 12       | M6 HEX HEAD CAP SCREW (YELLOW ZINC)                                      |               |
| 16      | 24       | M6 FLAT WASHER (YELLOW ZINC)   |               |
| 17      | 12       | M6 NYLON NUT (YELLOW ZINC)   |               |
| 18      | 18       | PLASTIC RETAINER SQUARE  |               |
| 19      | 1        | HEX KEY TOOL (FOR PART #: 24-64080)                                      |               |
| 20      | 12       | M8 SQUARE HEAD SCREW (YELLOW ZINC)                                       |               |

**ANTI-SEIZE LUBRICANT MUST BE USED ON ALL STAINLESS STEEL FASTENERS TO PREVENT THREAD DAMAGE AND GALLING**



ITEM 1

**Note:** Locate the Westin Logo on the steps to identify the driver/passenger step bar. The logo goes towards the rear of the vehicle.

Driver's Side



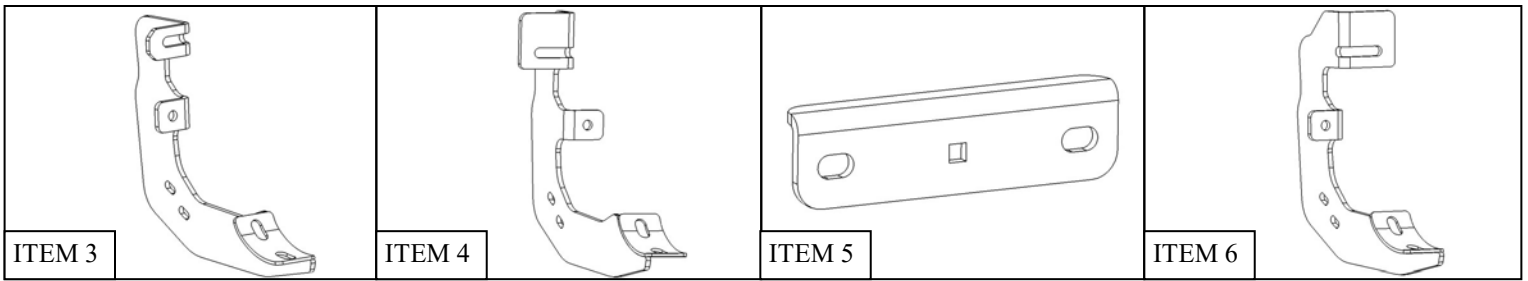
ITEM 2

Passenger's Side



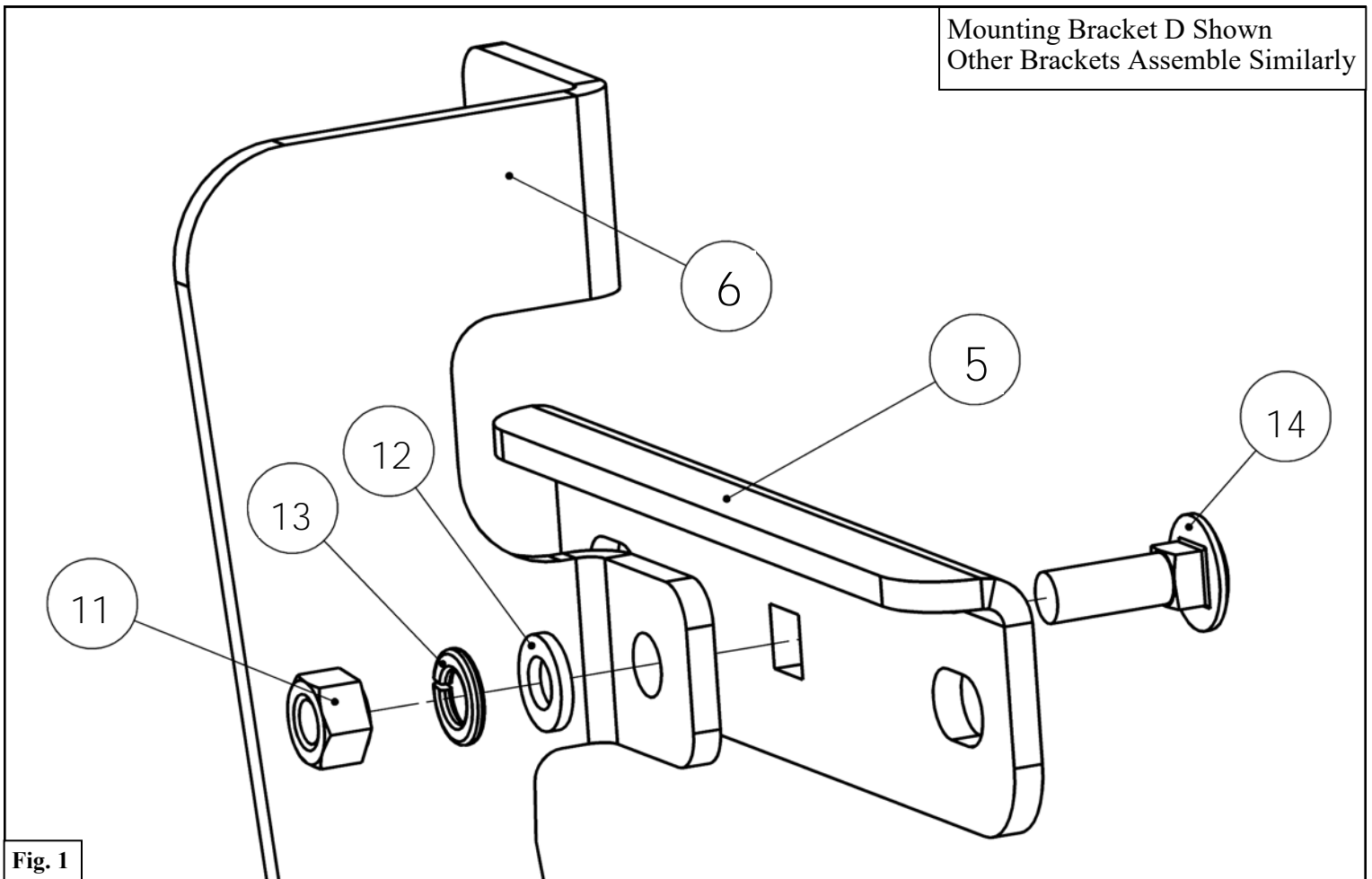
Westin Automotive Products, Inc.  
320 W. Covina Blvd  
San Dimas, Ca. 91773

Thank you for choosing Westin products  
for additional installation assistance please call  
Customer Service (800) 793-7846  
www.westinautomotive.com



### PROCEDURE

1. Remove contents from box, verify if all parts listed are present and free from damage.  
Carefully read and understand all instructions before attempting installation.  
**Failure to identify damage before installation could lead to a rejection of any claim.**
2. Preassemble the Mounting Brackets (3-6). Do not tighten hardware at this time. See **Figure 1**.



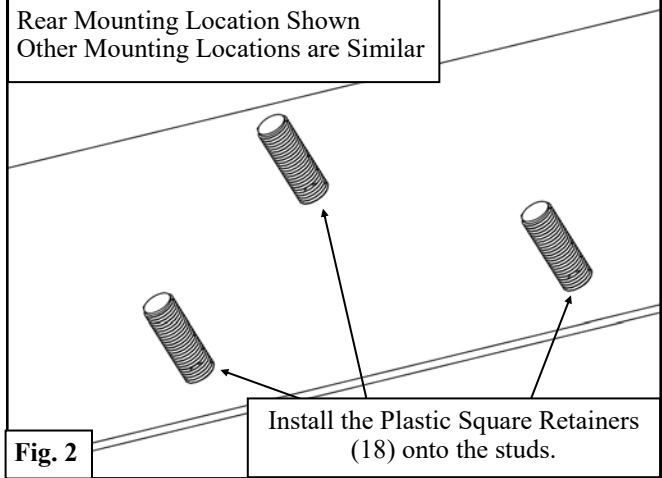
**Fig. 1**

- Starting on the passenger side of the vehicle, locate the 3 mounting locations on the rocker panel.
 

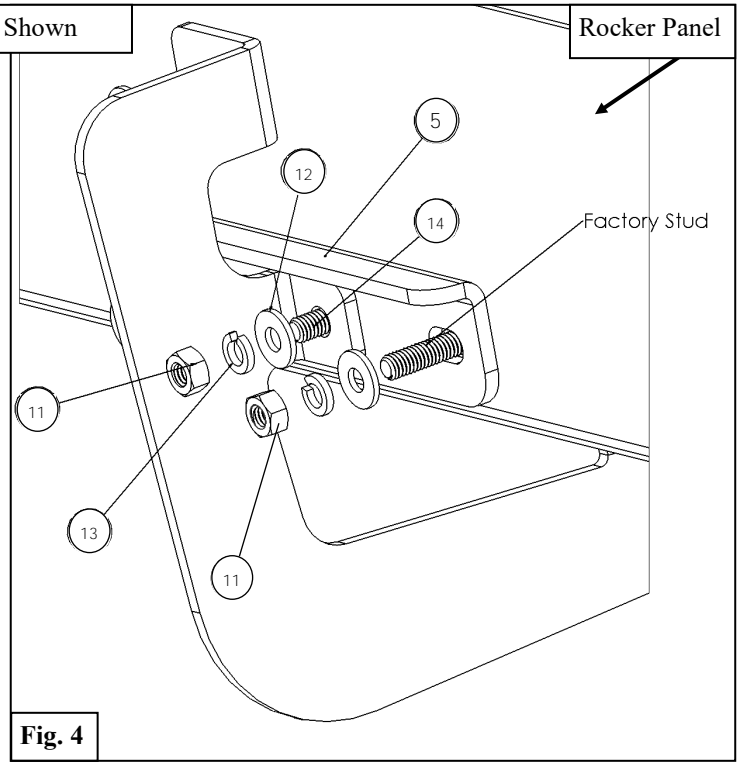
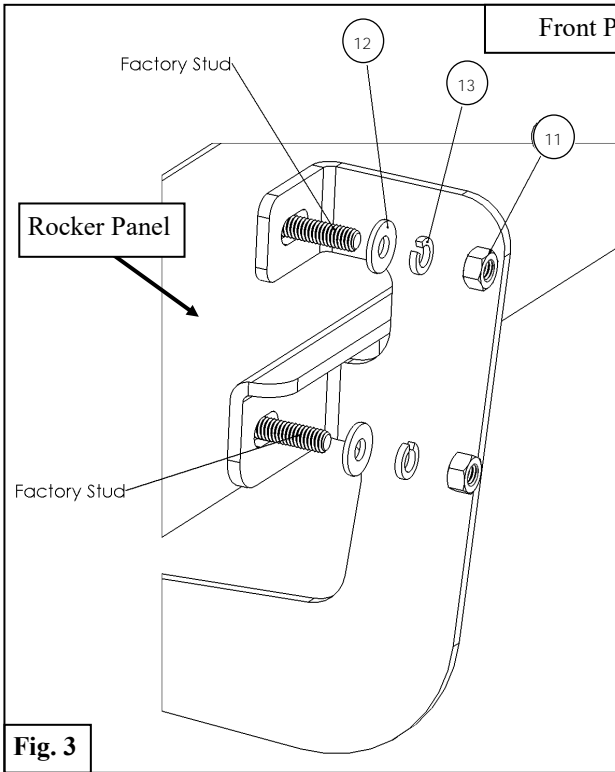
**Note A:** The rear mounting location is shown in **Figure 2**. Other mounting locations are similar.

**Note B:** The lower two studs on the rocker panel have a thick coat of paint on them. When installing the M8 hex nuts, apply extra pressure to start. If necessary, back M8 hex nuts off the studs to clear build up.

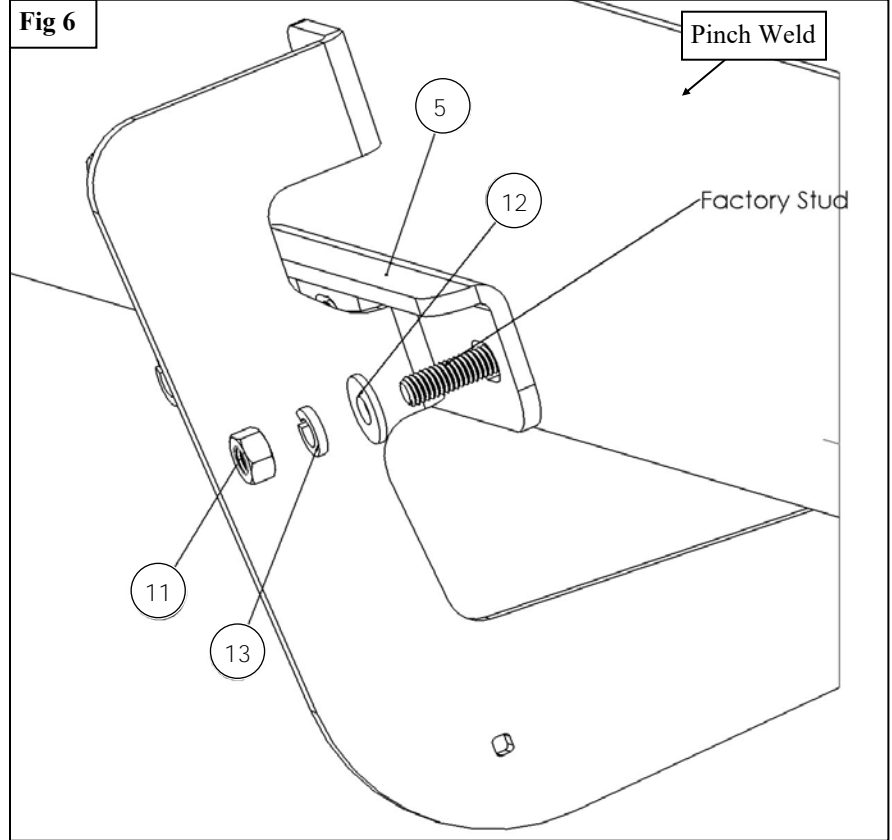
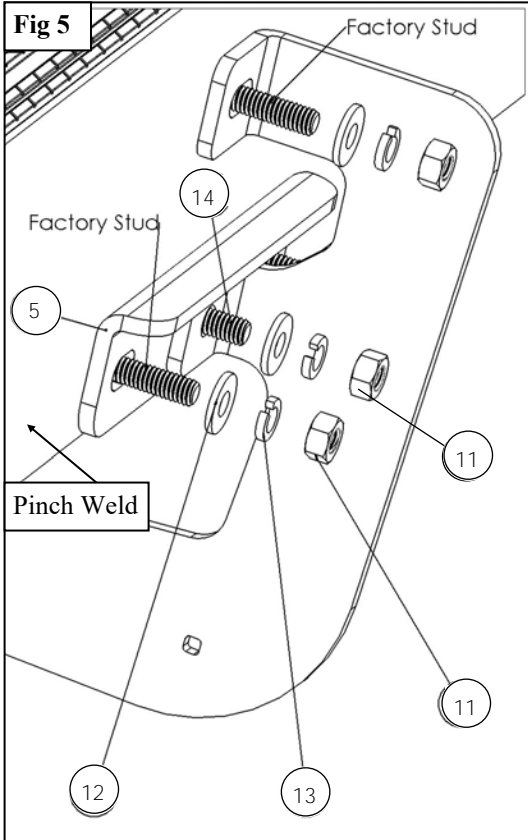
See **Figure 2**.



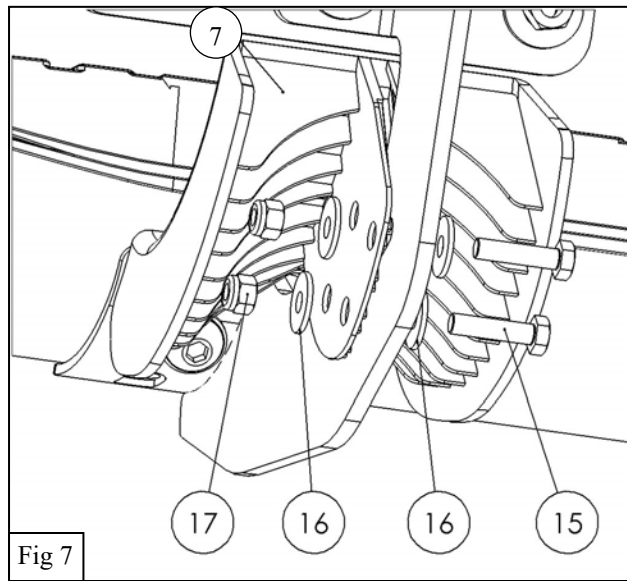
- At the rear mounting location, loosely install Mounting Bracket D (6) with preassembled Mounting Bracket C (5) using the supplied M8 hardware. See **Figures 3 & 4**.



- At the center passenger mounting location, loosely install Mounting Bracket A (3) with preassembled Mounting Bracket C (5) using the supplied M8 hardware. See **Figures 5 & 6**.



- At the front passenger mounting location, loosely install Mounting Bracket B (4) with preassembled Mounting Bracket C (5). **Note:** Installation is similar to Mounting Bracket D.
- Repeat **Steps 4-7** on the driver side of the vehicle.
- Secure the Plastic Cover Brackets (7) to the Mounting Brackets using the supplied M6 Hardware. See **Figure 7**

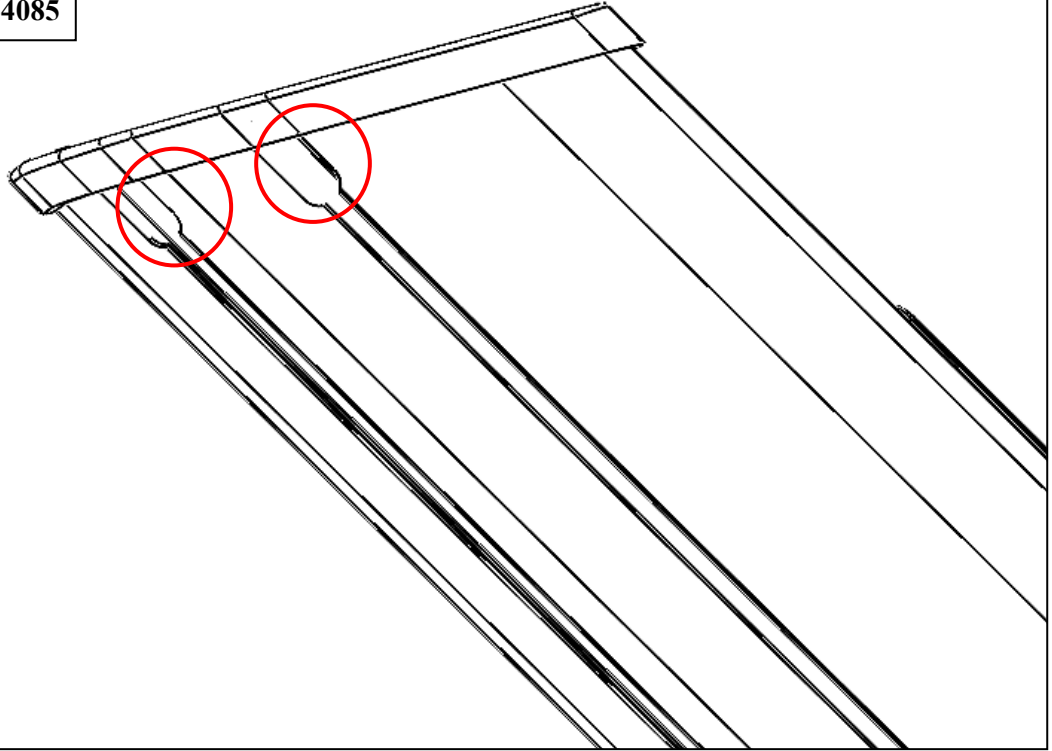


## Textured Black Aluminum AT6 Running Boards

6. Slide (3) M8 square head screws (Item 20) into each of the rails underneath the running board. See Fig. 8.
7. Loosely install the Textured Black Aluminum AT6 Running Board to the previously installed mounting brackets using the supplied M8 flat washers, M8 split lock washers, and M8 hex nuts.
8. Align and adjust as necessary then torque hardware : M8 to 15-18 ft-lbs and M6 to 7-8 ft-lbs.

PART #: 24-64085

Fig. 8



INSTALLATION COMPLETE



CARE INSTRUCTIONS

- REGULAR WAXING IS RECOMMENDED. DO NOT USE ANY TYPE OF POLISH OR WAX THAT MAY CONTAIN ABRASIVES.
- STAINLESS STEEL PRODUCTS CAN BE CLEANED WITH MILD SOAP AND WATER. STAINLESS STEEL POLISH SHOULD BE USED TO POLISH SMALL SCRATCHES.
- GLOSS BLACK FINISHES SHOULD BE CLEANED WITH MILD SOAP AND WATER

**WESTIN** Westin Automotive Products, Inc.  
320 W. Covina Blvd  
San Dimas, Ca. 91773

Thank you for choosing Westin products  
for additional installation assistance please call  
Customer Service (800) 793-7846  
[www.westinautomotive.com](http://www.westinautomotive.com)



## WARNING



Failure to follow these instructions could lead to death, personal injury, and / or property damage.

Failure to follow these instructions could lead to death, personal injury, and / or property damage.

### FASTENERS:

All Westin supplied fasteners must be utilized and installed in accordance with the installation instructions and apply torque to the specifications as defined. **DOUBLE CHECK ALL FASTENERS BEFORE INITIAL USE, AND PERIODICALLY IN THE FUTURE TO ENSURE PROPER FUNCTION AND SAFETY.**

### DRILLING:

Most Westin products do not require drilling for installation. If drilling is defined as required, use caution when drilling a vehicle. **FAILURE TO REVIEW AN AREA TO BE DRILLED MAY RESULT IN PERSONAL INJURY AND/OR INJURY TO OTHERS AS WELL AS VEHICLE DAMAGE.**

### EYE PROTECTION:

**ALWAYS WEAR SAFETY GLASSES OR GOGGLES DURING THE INSTALLATION PROCESS TO AVOID PERSONAL INJURY.**

### MAXIMUM TOWING/CARRYING CAPACITY:

The Westin Receiver Hitches will have a visible tow rating label affixed directly on the product. User should never exceed the vehicle manufacturers maximum tow and weight rating regardless of the capacity of the hitch. **FAILURE TO FOLLOW THESE GUIDELINES WILL VOID THE WESTIN WARRANTY AND MAY RESULT IN PERSONAL INJURY AND/OR INJURY TO OTHERS AS WELL AS VEHICLE DAMAGE.**



Westin Automotive Products, Inc.  
320 W. Covina Blvd  
San Dimas, Ca. 91773