



INSTRUCTIONS

APPLICATION: TOYOTA TUNDRA HDX & SPORTSMAN GRILLE GUARDS
(2014 & UP) APPLICATION PART #'S 57-3700, 57-3705, 40-3705, 45-3700

AUTOMOTIVE PRODUCTS, INC.

ITEM	QUANTITY	DESCRIPTION	TOOLS NEEDED
1	1	GRILLE GUARD ASSEMBLY	RATCHET
2,3	2	LOWER MOUNTING BRACKETS (DRV & PASS)	SCREWDRIVER
4,5	2	UPPER SUPPORT BRACKETS (DRV & PASS)	14MM MED. DEPTH SOCKET
6	6	M12 FLANGE NUTS	ALLEN WRENCH
7	4	M12 FLANGE BOLTS	17MM SOCKET
8	2	M12 BUTTON HEAD BOLTS	18MM SOCKET
9	2	M12 CUPPED WASHER	18MM WRENCH
			TORQUE WRENCH
			UTILITY KNIFE

ANTI-SEIZE LUBRICANT MUST BE USED ON ALL STAINLESS STEEL FASTENERS TO PREVENT THREAD DAMAGE AND GALLING

1. Remove contents from box, verify if all parts listed are present and free from damage. Carefully read and understand all instructions before attempting installation.
2. Remove the Factory Tow Hooks and/or Transport Tie Down Loops from the front of the vehicle. Save the Factory M12 bolts; they will be re-used.
3. Remove the Plastic Bumper Grille by pushing in and simultaneously prying up at each individual location where there is a plastic snap. Note: It is recommended to place masking tape on the plastic bumper first to avoid scratching it (Figure 1).

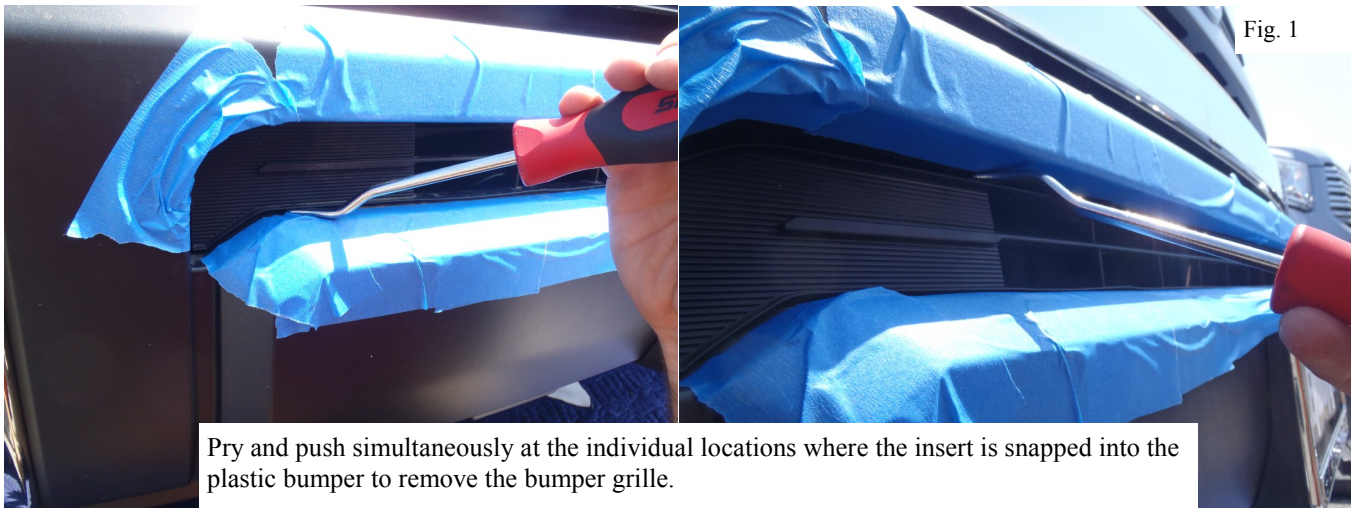


Fig. 1

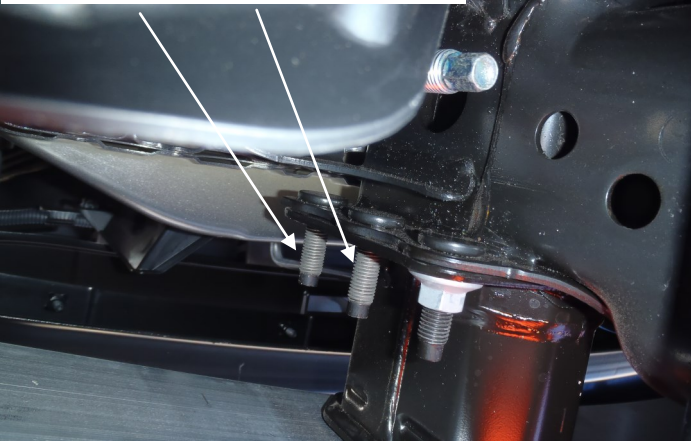
4. Remove the two upper Factory M10 Flange Nuts from each side of the frame where the bumper brackets are mounted to the frame. Note: Although a 14mm wrench can be used for this step it is much easier with a 3/8" drive mid-length socket such as Snap-On P/N FMS14 or equivalent (Figure 2).
5. Slip each Support Bracket through the bumper grille opening and loosely attach them to the frame studs using the factory M10 flange nuts. Note: It is recommended to slip the brackets in from the backside of the bumper opening as this makes it less likely to scratch the plastic bumper (Figure 3).



Thank You for choosing Westin products.

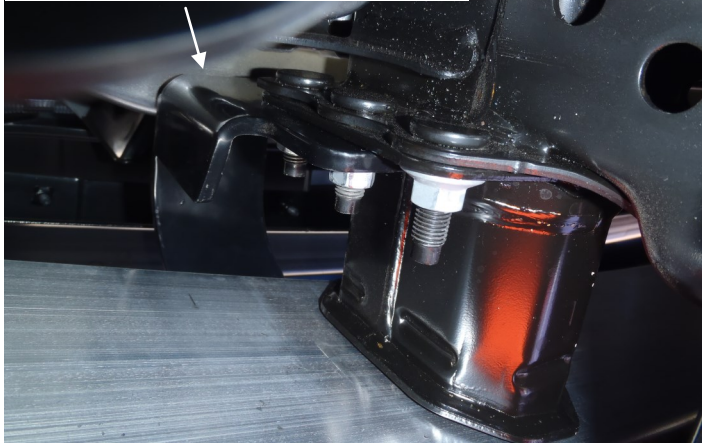
Remove these (2) flange nuts from each side of the frame (DRV Side Shown).

Fig. 2



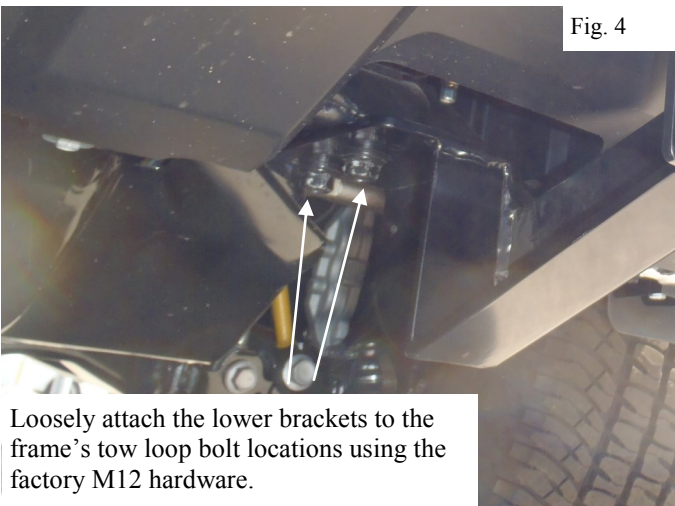
Loosely attach the Support Bracket to the frame studs on the vehicle.

Fig. 3



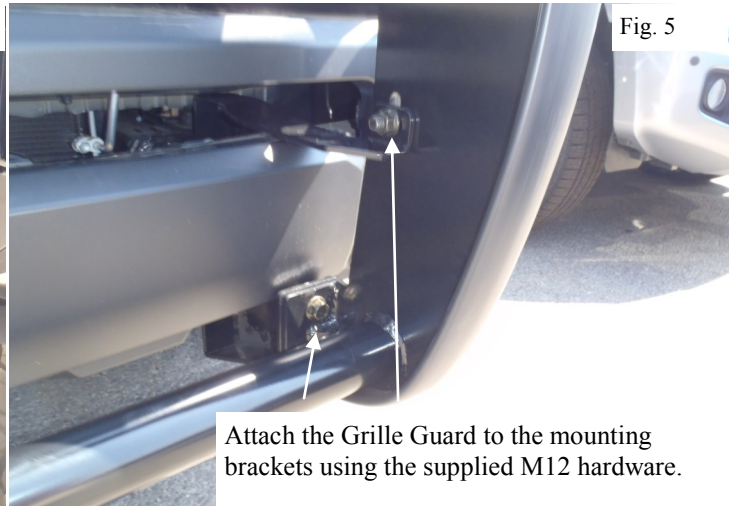
6. Trim the Bumper Grille Insert as necessary then re-install it into the bumper opening.
7. Loosely install the Lower Mounting Brackets to the bottom of the frame at the tow hook locations using the factory hardware. Note: The Factory Tow Hooks/Loops cannot be re-used (Figure 4).
8. With assistance, loosely attach the Grille Guard to the Mounting Brackets using the supplied M12 hardware (Figure 5).
9. Align and adjust the Grille Guard as necessary. Tighten and torque M10 fasteners to 40-45 ft-lbs., M12 fasteners to 50-55 ft-lbs.

Fig. 4



Loosely attach the lower brackets to the frame's tow loop bolt locations using the factory M12 hardware.

Fig. 5

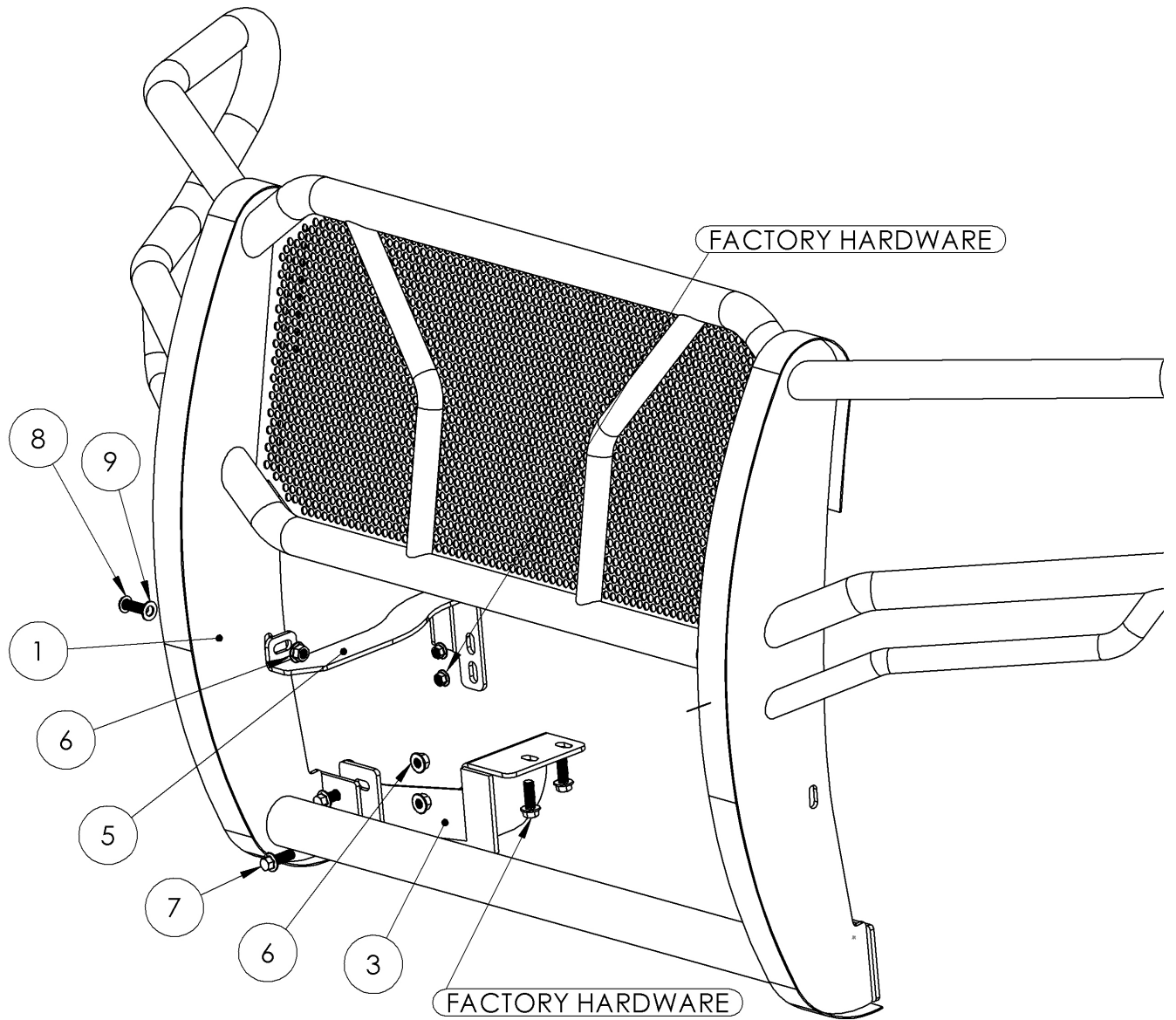


Attach the Grille Guard to the mounting brackets using the supplied M12 hardware.

HDX GG - Installation Complete

Sportsman GG - Installation Complete





HDX GRILLE GUARD EXPLODED VIEW (SPORTSMAN SIMILAR)

CARE INSTRUCTIONS

- REGULAR WAXING IS RECOMMENDED. DO NOT USE ANY TYPE OF POLISH OR WAX THAT MAY CONTAIN ABRASIVES
- STAINLESS STEEL PRODUCTS CAN BE CLEANED WITH MILD SOAP AND WATER. STAINLESS STEEL POLISH SHOULD BE USED TO POLISH SMALL SCRATCHES.
- GLOSS BLACK FINISHES SHOULD BE CLEANED WITH MILD SOAP AND WATER



Thank You for choosing Westin products.