



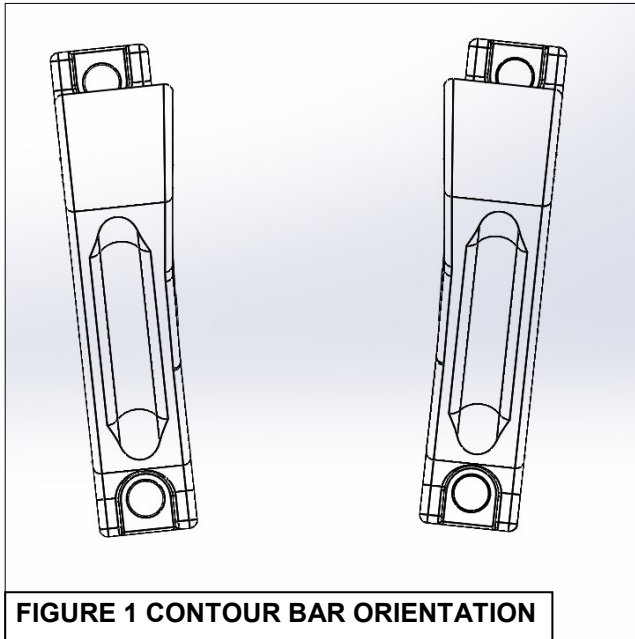
# INSTALLATION INSTRUCTIONS

## HD LIGHT BAR CLAMP BRACKET

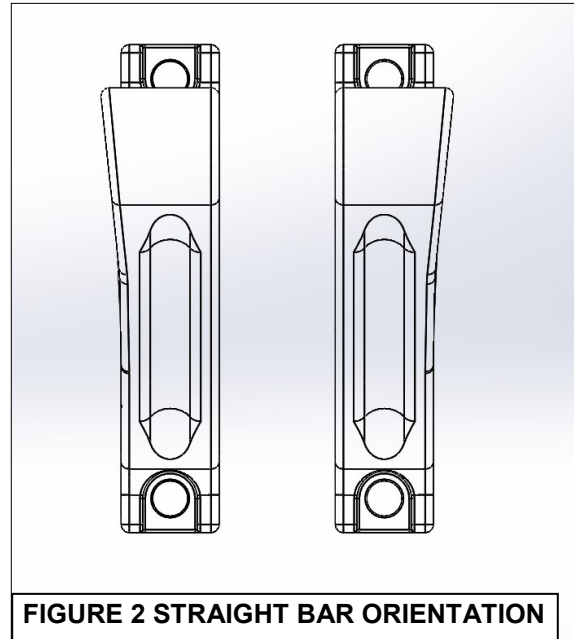
PART NUMBERS: 32-20005, 32-20015

APPLICATION: 2" & 2.5" Contour Safari Bar and Straight Bars

ITEM	QUANTITY	DESCRIPTION	TOOLS NEEDED
1	1	DRIVER SIDE CONTOUR BAR TOP CLAMP BRACKET (PASSENGER SIDE ON STRAIGHT TUBE)	5MM HEX KEY TOOL (INCLUDED)
2	1	PASSENGER SIDE CONTOUR BAR TOP CLAMP BRACKET (DRIVER SIDE ON STRAIGHT TUBE)	6MM HEX KEY TOOL (INCLUDED)
3	2	BOTTOM CLAMP BRACKET	
4	2	M8 SOCKET HEAD CAP SCREW	
5	4	M6 SOCKET HEAD CAP SCREW	
6	4	M6 HEX NUT	
7	2	M8 NYLON FLAT WASHER	
8	1	ADHESIVE FOAM TAPE	



**FIGURE 1 CONTOUR BAR ORIENTATION**



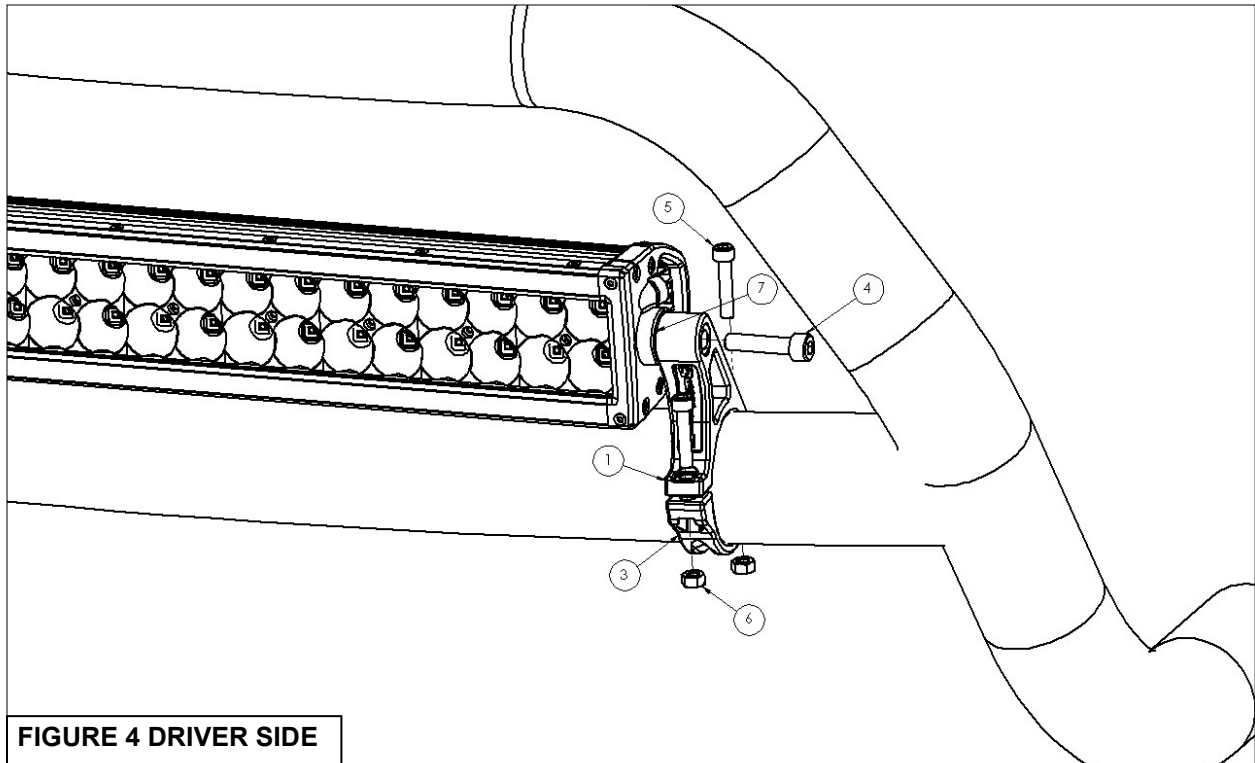
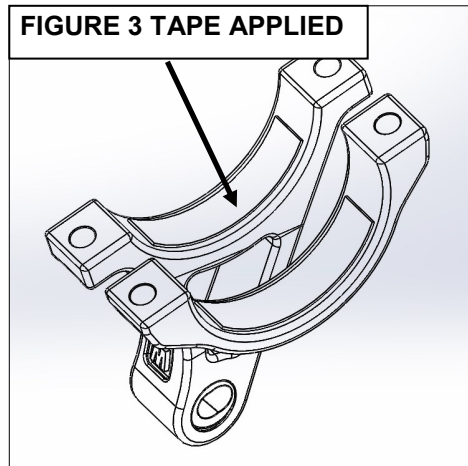
**FIGURE 2 STRAIGHT BAR ORIENTATION**

1. Remove contents from box, verify if all parts listed are present and free from damage. Carefully read and understand all instructions before attempting installation.
2. The brackets are designed to fit the contour radius of the Westin Contour Safari Bar. Reversing the top clamps will allow the brackets to mount to straight bars. See **Figures 1 & 2** to determine the bracket orientation for your application.

### CARE INSTRUCTIONS

- REGULAR WAXING IS RECOMMENDED. DO NOT USE ANY TYPE OF POLISH OR WAX THAT MAY CONTAIN ABRASIVES.
- STAINLESS STEEL PRODUCTS CAN BE CLEANED WITH MILD SOAP AND WATER. STAINLESS STEEL POLISH SHOULD BE USED TO POLISH SMALL SCRATCHES.
- GLOSS BLACK FINISHES SHOULD BE CLEANED WITH MILD SOAP AND WATER.

3. Apply foam tape (item 8) to top and bottom of the clamp facing where it mounts to the tube.  
Figure 3



**FIGURE 4 DRIVER SIDE**

4. Mount the top and bottom clamps (items 1, 2, & 3) to the bar using (2) M6 socket head cap screws (item 5) and (2) M6 hex nuts (item 6) per clamp. **Figure 4** *Do not fully tighten at this time.*
5. Mount the LED Light Bar (sold separately) to the top clamps using (2) M8 socket head cap screws (item 4). Note: Optional nylon washers (item 7) can be used between the clamps and the LED Light Bar. The Westin Contour Safari Bar is designed to work with Westin LED Light Bar part numbers 09-12230-40 Performance 2X low profile double row and 09-12231-20 Xtreme low profile single row. **Figure 4**
6. Adjust the light bar position as needed. Torque M6 hardware to 5 ft-lbs and M8 hardware to 12-16 ft-lbs.