

Westin

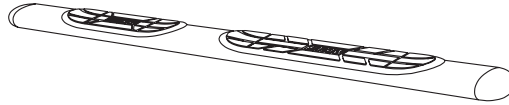
SIGNATURE OF QUALITY

AUTOMOTIVE PRODUCTS, INC.

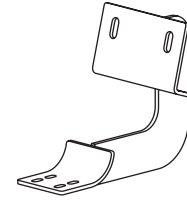
INSTALLATION INSTRUCTIONS

APPLICATION: 2001-04 FORD F-150 SUPER CREW

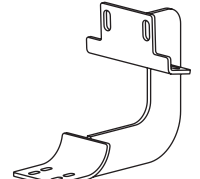
MOUNT KIT
22-1055
 CHROME
22-0030
 BLACK
22-0035



1



2



3

ITEM	QTY	CONTENTS	TOOLS
1	2	STEP BAR (PURCHASED SEPARATELY)	9/16" SOCKET 9/16" WRENCH 1/2" SOCKET 7/16" SOCKET RATCHET TORQUE WRENCH
2	2	FRONT BRACKET	
3	2	REAR BRACKET	
4	4	5/16-18 X 1.25" HEX HEAD BOLT	
5	4	5/16" FLAT WASHER	
6	4	5/16" LOCK WASHER	
7	4	EXTRUDED U-NUT	
8	8	3/8-16 X 1.25" HEX HEAD BOLT	
9	16	3/8" FLAT WASHER	
10	8	3/8" LOCK WASHER	
11	8	3/8-16 HEX NUT	
12	8	1/4-20 X .75 T-HEAD BOLT	
13	8	1/4" FLAT WASHER	
14	8	1/4-20 NYLON INSERT LOCK NUT	

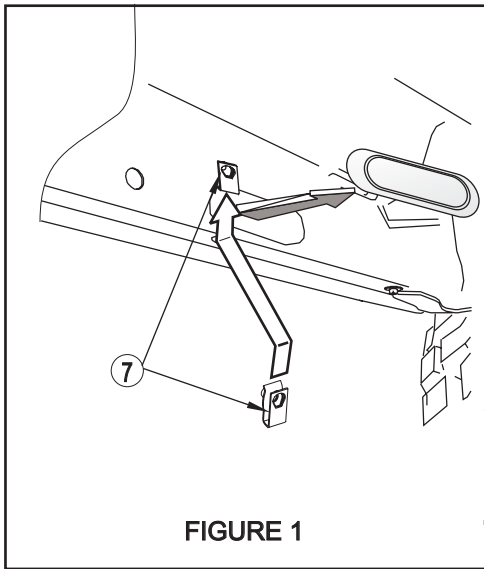
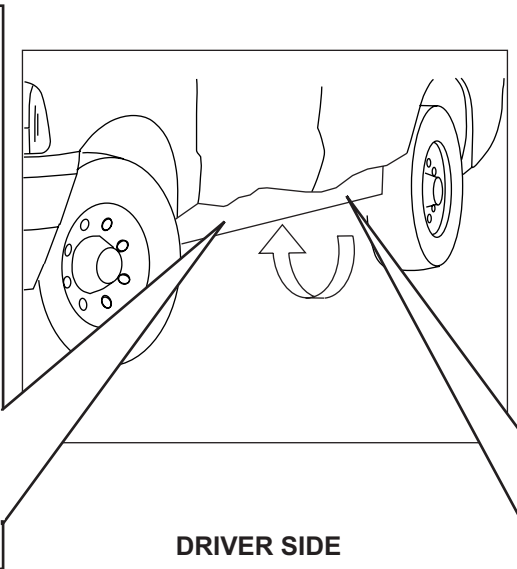


FIGURE 1



DRIVER SIDE

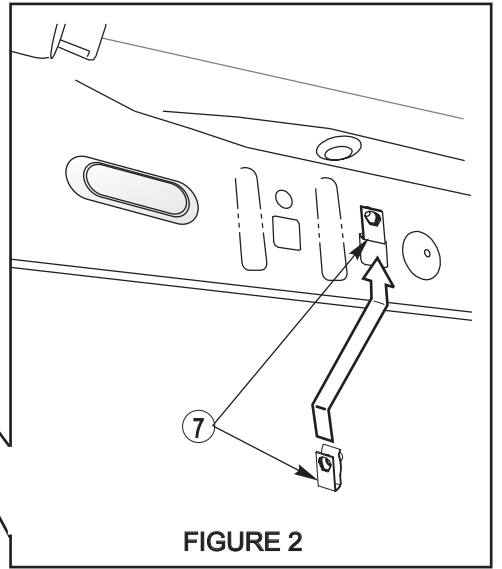


FIGURE 2

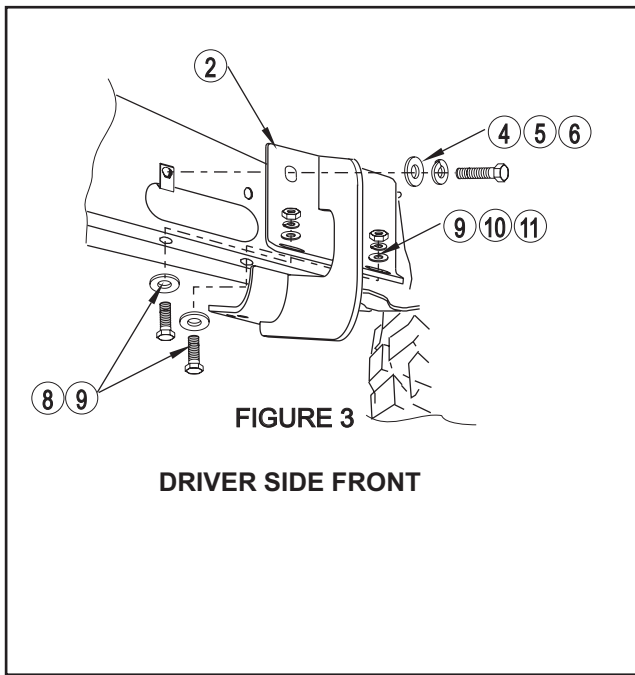


FIGURE 3

DRIVER SIDE FRONT

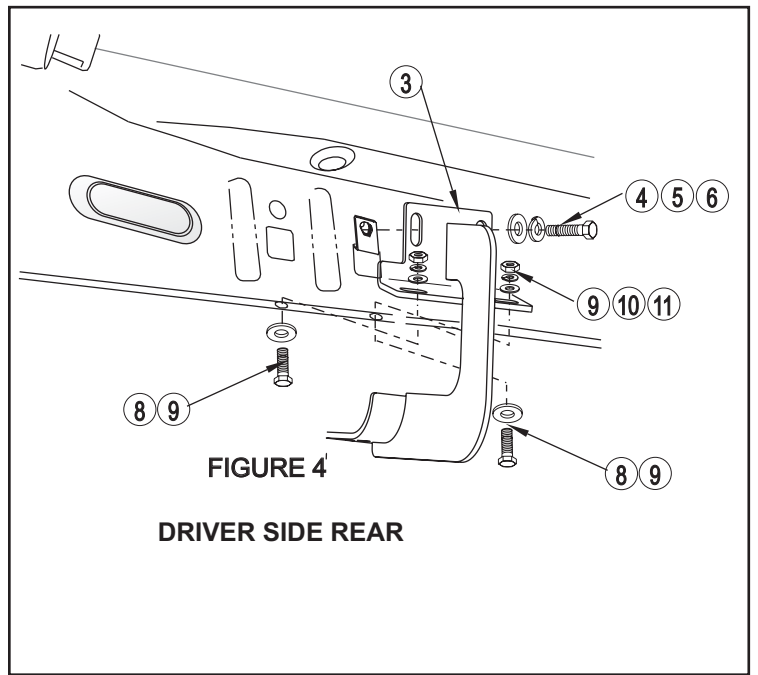


FIGURE 4

DRIVER SIDE REAR

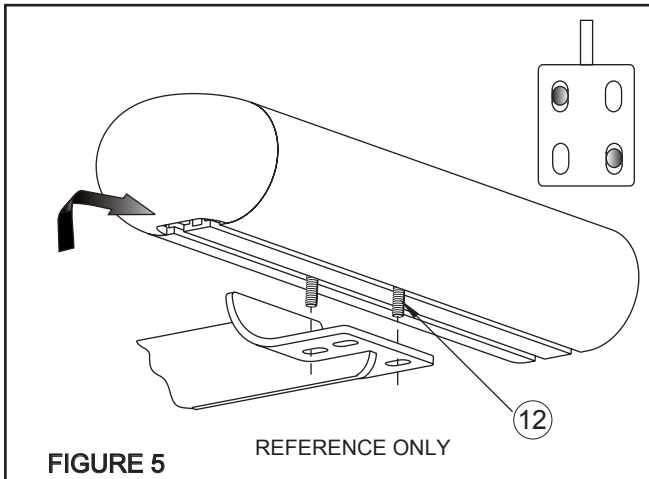


FIGURE 5

REFERENCE ONLY

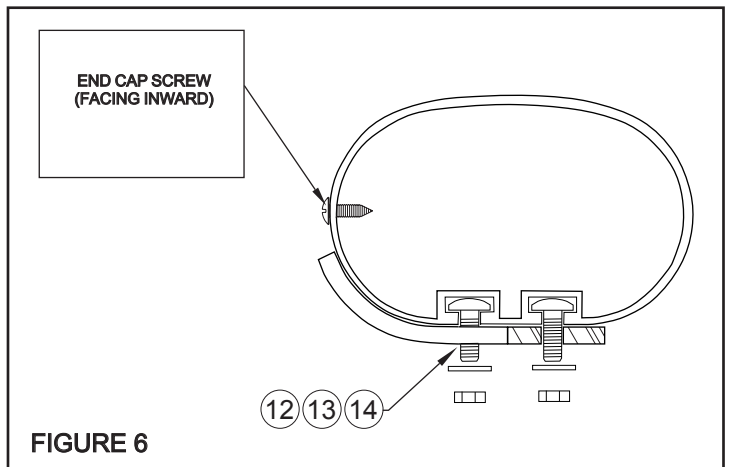


FIGURE 6