

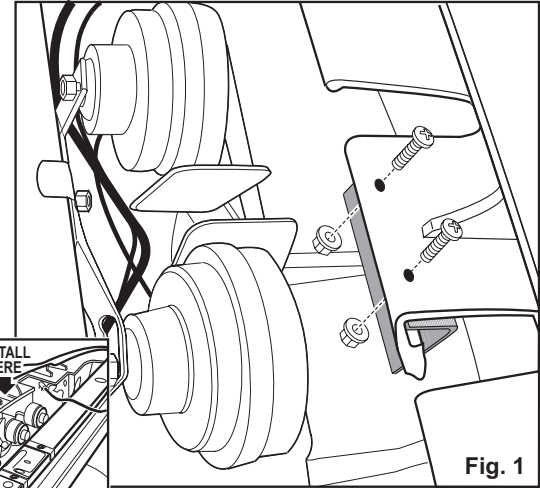
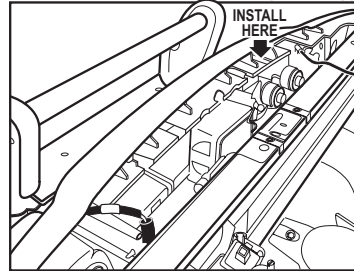
WHELEN[®] ENGINEERING COMPANY INC.

Installation Guide: TIR3™ Lighthouse Mounting Bracket Model RBKT1, RBKT2

Installation:

This bracket can mount to many different vehicles. This manual will cover mounting to a Ford Crown Victoria.

1. Open the hood and find the mounting area located just in front of the vehicles horns as shown in Fig. 1. **NOTE: While not essential, removing the vehicle grill (following vehicle manufacturers instructions) will make the installation easier.** Place the bracket onto the mounting surface in the exact mounting location. Mark off (onto the mounting surface) the location of the mounting holes, then remove the bracket and drill the mounting holes with an appropriately sized drill for the hardware.
2. Secure the lighthouse to the bracket as shown on the next page.
3. Secure the bracket to the vehicle using the supplied mounting hardware.
4. Extend the lighthouse wires to your power source and refer to the lighthouse manual for wiring.



NOTE: Model RBKT1 (single bracket) is shown for example. Model RBKT2 (double bracket), mounts the same way.

