



INSTALLATION INSTRUCTIONS

Model 310-2T, 315-2T, 380-2T & 385-2T

Your purchase of a Wolo horn is a perfect choice to compliment your vehicle. Wolo's products are manufactured with the

MOUNTING FIG. #1

1. Remove the factory horn, and install your new Wolo horn in the same position with the opening of the horn facing downward to prevent dirt and water from entering into the horn. Secure the horn to the vehicle using the bracket and hardware provide.

IMPORTANT: For one (1) terminal factory horn system, the grounding jumper wire needs to be secured under the mounting bolt before securing horn to a metal body grounding surface. Fig. #2

TWO (2) TERMINAL WIRING FIG. #1

2. For vehicles where the factory horn wires connect to two (2) horn terminals, simply transfer the factory horn wires to new Wolo horn. It doesn't make a difference which horn terminals are used on your new Wolo horn when transferring the wires from your factory horn. **IMPORTANT:** Always make sure that there is a 10-amp fuse used in the horn circuit to protect the vehicle. If the wire terminals that were connected to your vehicle's factory horn doesn't connect to your new Wolo horn, provided in the kit is two-(2) 1/4" push-on insulated terminals. The installation is complete and the horn is ready to be used.

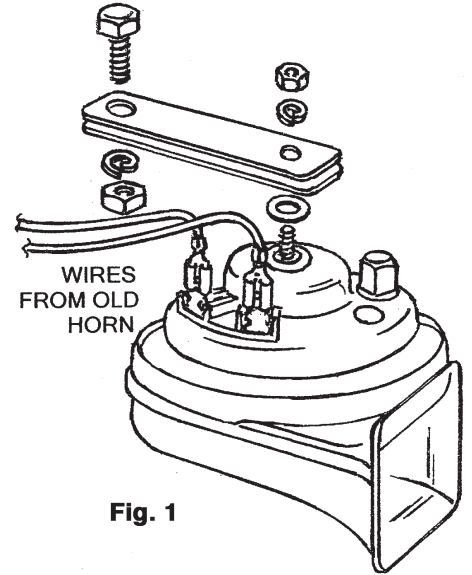


Fig. 1

ONE (1) TERMINAL WIRING FIG. #2

3. For vehicles where the factory horn wire connects to only one (1) horn terminal. Transfer the factory horn wires to your new Wolo horn. It doesn't make a difference which horn terminal is use when transferring the wire from your factory horn.
4. Using the grounding wire supplied, place the loop end under the mounting bolt of the horn and firmly tighten. Make sure the horn's mounting bracket is secured to a metal body surface that is clean of paint and rust.
5. Attach the grounding wire's female terminal to the horns unused terminal. **IMPORTANT:** Always make sure that there is a 10-amp fuse used in the horn circuit to protect the vehicle. Installation is complete. If the wire terminal that was connected to your vehicle's factory horn doesn't not connect to your new Wolo horn, provided in the kit is two-(2) 1/4" push-on insulated terminals.

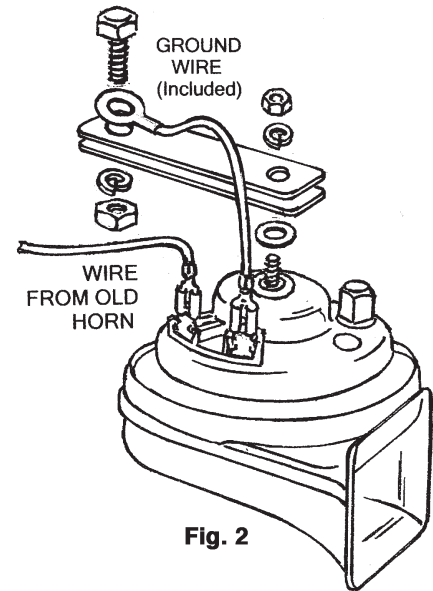


Fig. 2