



INSTALLATION INSTRUCTIONS For Model 815 CHALLENGER LV

Your purchase of a Wolo's Challenger Horn System is a perfect choice to compliment your vehicle. Wolo's products are manufactured with the finest materials. Each horn is tested to insure it meets all manufacturing specification, before it is packaged.

HORN INSTALLATION (Fig. A)

1. Locate the desired area you wish to mount the dual trumpet air horn. For best results, the front of the horn should be unobstructed so that the sound can carry straight ahead.
2. Use the horn's rubber gasket as a template, mark hole locations and drill to sizes as shown in Fig. A.
3. Secure the horn with the hardware provided. Tighten screws evenly to provide a good watertight seal.
4. Secure the flexible inlet hose into the base of the horn base. Do not remove the Teflon tape on the threaded end of the hose. The tape is used to help prevent air leaks. **CAUTION:** Avoid making any kinks or sharp bends in flexible hose that will reduce airflow and alter the horn's sound.

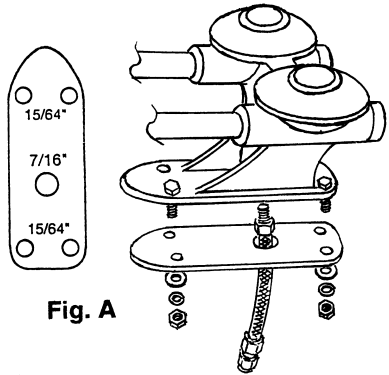


Fig. A

COMPRESSOR INSTALLATION (Fig. B)

5. Locate an area in the engine compartment that is dry and safe from the heat of the exhaust manifold heat. Try to mount compressor as far to the front of vehicle as possible to provide a good airflow around compressor.

IMPORTANT! Do not mount on fender well or other flexible material.

6. Using the compressors mounting brackets as a template, mark the hole locations and drill to size. 15/64". Secure the compressor to the mounting surface with the hardware provided.

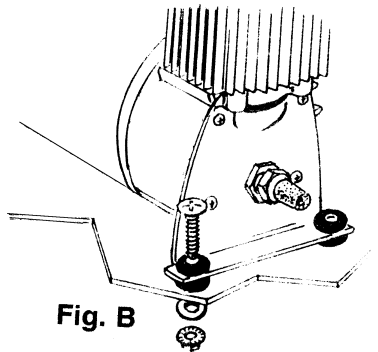
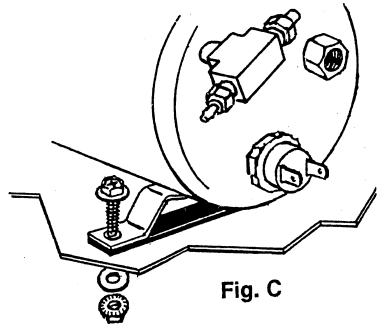


Fig. B

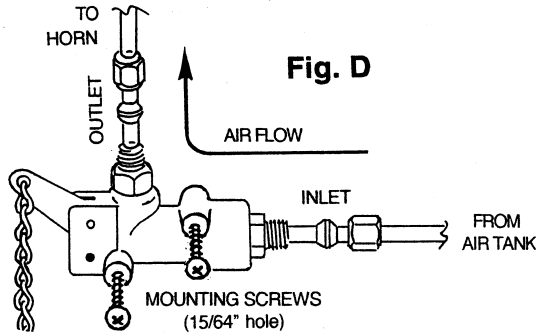
TANK INSTALLATION (Fig. C)

7. Locate a convenient area in the vehicle to mount the air storage tank. **IMPORTANT!** When selecting a mounting location for the tank, make sure that the compressor metal braided hose is close enough to connect to the tanks brass female fitting.
8. Use the tanks mounting bracket as a template, mark the hole locations and drill to size $15/64$ ". Secure tank with hardware provided using the rubber gasket to prevent vibration noise.



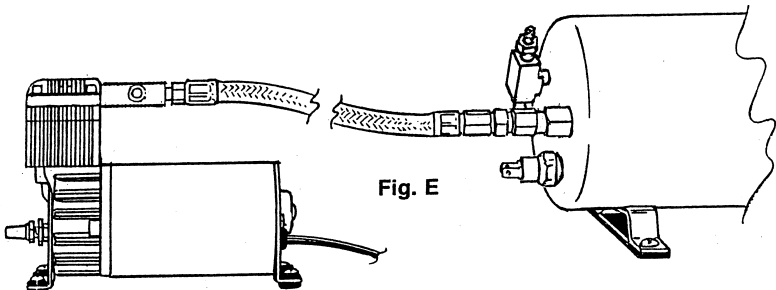
LANYARD VALVE INSTALLATION (Fig. D)

9. Mount the lanyard valve with the screws provided in a convenient location so that the chain can be easily reached. Using the lanyard valve as a template, mark hole locations and drill to size $5/16$ ". **IMPORTANT:** When connecting the air hose to the lanyard valve, they must be connected only as shown in Fig. D.



HOSE INSTALLATION (Fig. E)

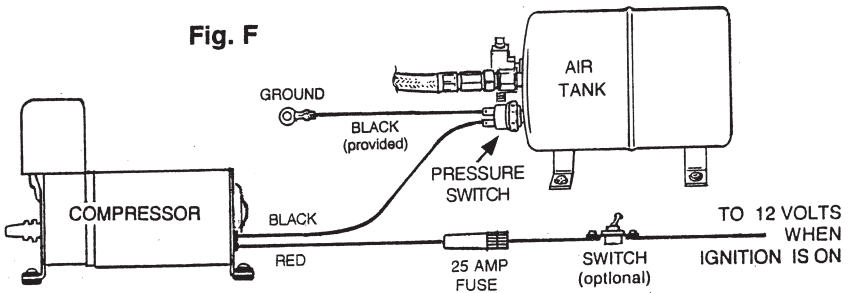
10. Connect the metal braided hose from the compressor to the tanks female brass fitting.
11. Using the $1/4$ " plastic high pressure hose provided, cut to size to connect the horn's flexible inlet hose to the lanyard's outlet fitting.



12. Unscrew the brass-fitting nut from the flexible inlet hose. Place the brass-fitting nut onto the hose. Push the hose onto the male fitting of the flexible hose and tighten the brass nut. **CAUTION:** Do not over tighten nut.
13. Connect the other end of the hose to the outlet fitting of the lanyard's valve. Follow the same procedure as above number 12.
14. Using the $1/4$ " plastic high pressure hose provided, cut to size so to connect the lanyard valves inlet fitting to the tank. Follow the same procedure as above number 12 to connect hose to the lanyard and tank.

WIRING COMPRESSOR (Fig . F)

- The compressor's red wire is connected to (+) 12-volt power source using the fuse provided. **IMPORTANT!** The red wire must be connected to a (+) 12-volt power source only when the vehicle ignition is turned on. This will protect your compressor from running continuously and being damaged if an air leak develops when the vehicle is not in operation. Suggested connection points are: blower motor, windshield wiper motor or accessory terminal on the fuse panel. Make sure the connection point has a wire that is as heavy as the compressor wire.
OPTIONAL: A switch can be installed into the compressor's red wire. This will permit the driver to turn-off the system if it is not required.
- Remove the plastic cap covering the pressure switch. The compressor's black wire is connected to one of the terminals of the pressure switch on air tank.



- Connect the short black length of wire provided to the other terminal of the pressure switch.
- The other end of the black wire is connected to ground; secure the wire's terminal to either the (-) side of vehicle's battery or under any metal body bolt. Make sure that ground connection is free of rust and paint.

NOTE: The compressor is now ready to be used and will automatically start when the pressure drops in the tank. The built-in regulator will automatically turn off the compressor when the tank pressure is approximately 110 p.s.i. If the compressor does not shut off after 4 minutes of running time, check all air hose connections for leaks. Use soapy water or bubble solution on each fitting while the compressor is pumping. Use a thread sealant if leak persists after tightening.

CAUTION: Do not touch compressor or fittings with bare hands during or immediately after usage, they will be hot.

IMPORTANT! Compressor is equipped with THERMAL OVERLOAD PROTECTOR. If unit should shut off automatically during operation, do not attempt to restart compressor. Allow compressor to cool off for approximately 40 minutes before resuming use.