



INSTALLATION INSTRUCTIONS for Silver Streak Model 835

The addition of a Wolo horn for your vehicle will provide an extra level of sound. The Wolo name, with more than twenty years of experience is your guarantee of a superior horn product. Each horn and compressor is bench tested before it is packaged. Precision workmanship and quality components will assure years of reliable service.

AIR HORN INSTALLATION

1. Locate the desired area you wish to mount the dual trumpet air horn. For best results, the front of the horn should be unobstructed so that the sound can carry straight ahead.
2. Unscrew one of the trumpets and unscrew and remove the chrome air tank between the trumpets for access to the horn's mounting bracket.
3. Use the horn's rubber gasket as a template. Mark hole locations and drill to size as shown in Fig. A.
4. Secure the horn with hardware provided. Tighten evenly to provide a good water tight seal. Fig. A.
5. Secure the flexible inlet hose into the base of the horn. Do not remove the Teflon tape on threaded end of hose. The tape is used to prevent air leaks.
6. Install the tank and the trumpets back onto the horn's base. Only hand tightening is necessary.
7. Connect the flexible inlet hose to your vehicles on-board air system.

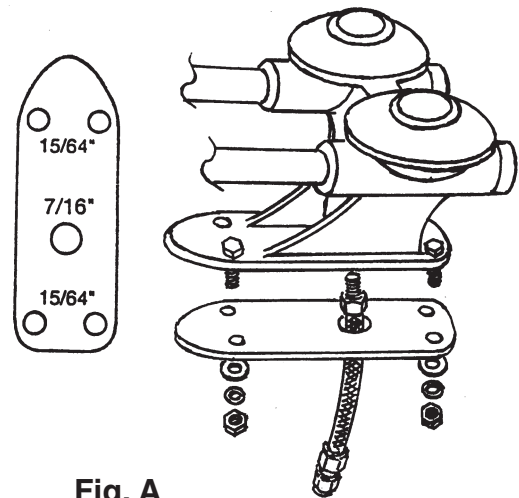


Fig. A