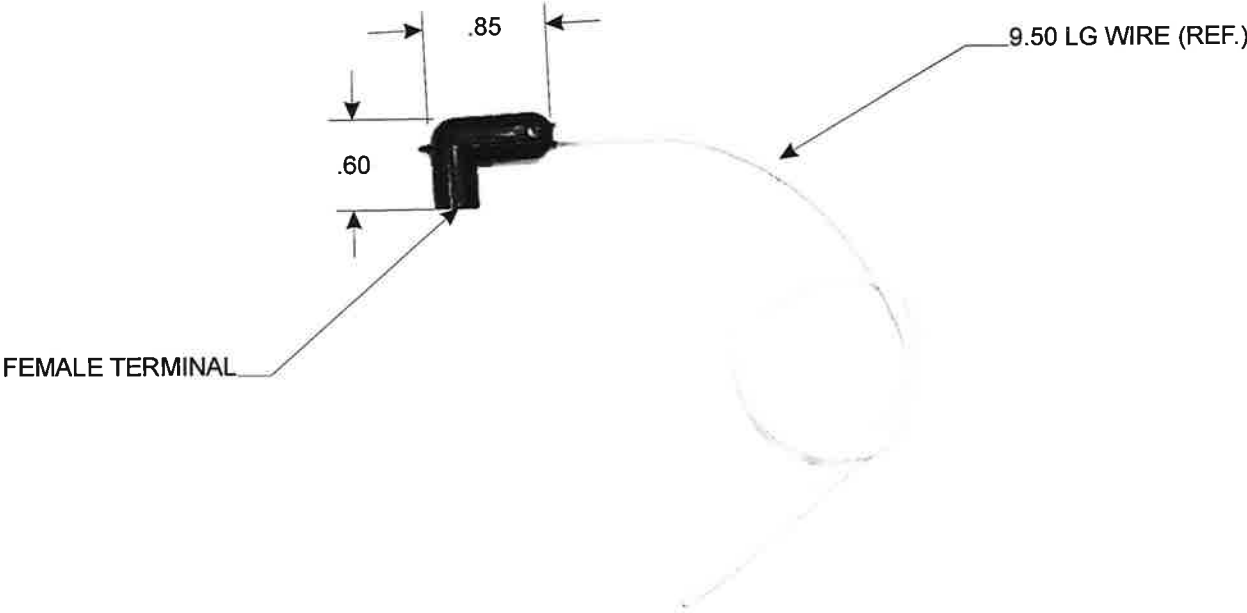


PART NO. 422

TOLERANCES UNLESS SPECIFIED		
TWO PLACE DECIMALS +/- .015	THREE PLACE DECIMALS +/- .005	ANGLES +/- 1°



REPLACES O.E.M. #

				MATERIAL	N/A	SCALE	NTS	WELLS MANUFACTURING CORP. FOND DU LAC	
						DATE	11-15-99		DWN. BY GC
				FINISH	N/A	ENGINEER	11-15-99	DAL	
						APPROVED	11-15-99	JSK	
	RELEASED DRAWING	22751A	11-15-99	GC		PURCH.	<input type="checkbox"/>	PROD.	<input type="checkbox"/>
L	REVISION	CN	DATE	BY	CAD REF.	422	MODEL	PART NO.	422

View other interior parts made by WVE on our website.