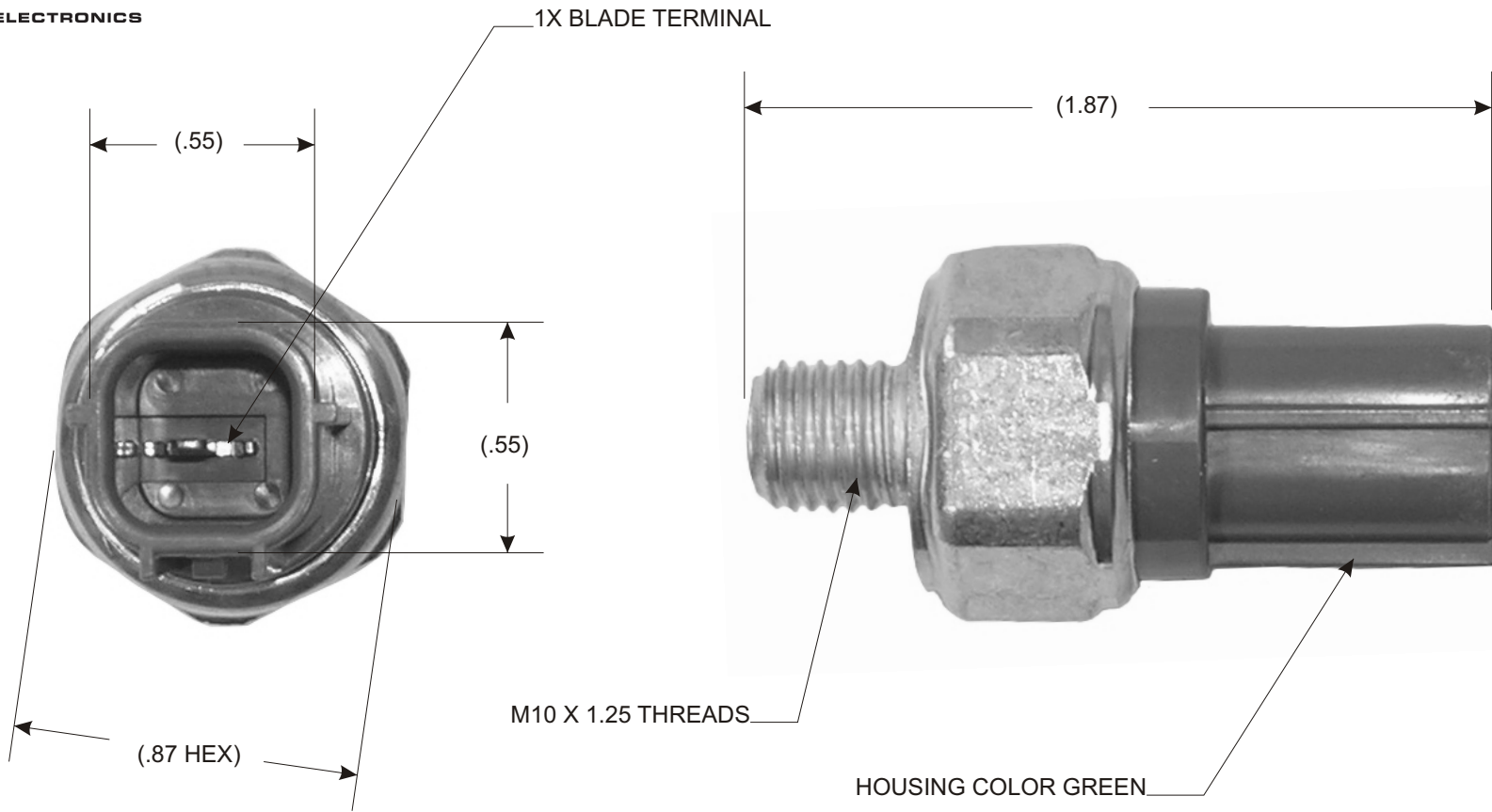


PART NO. PS626

TOLERANCES UNLESS SPECIFIED  
 TWO PLACE DECIMALS +/- .015      THREE PLACE DECIMALS +/- .005      ANGLES +/- 1°



REPLACES # 28600-RCL-004

					MATERIAL	N/A	SCALE	NTS	<b>WELLS</b>		
							DATE	8-8-06		DWN. BY	GC
					FINISH	N/A	ENGINEER	8-8-06		DAL	
							APPROVED	8-8-06		JSK	
	RELEASED DRAWING	29652A	8-8-06	GC			PURCH.	<input type="checkbox"/>	PROD.	<input type="checkbox"/>	
L	REVISION	CN	DATE	BY	CAD REF.	N/A	MODEL		PART NO.	PS626	