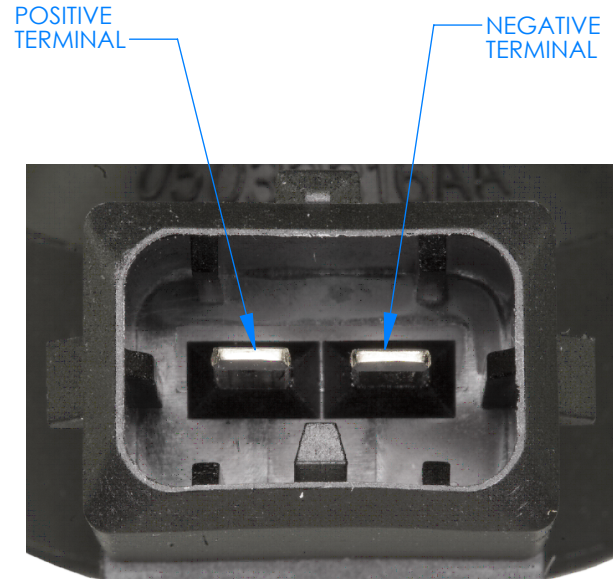
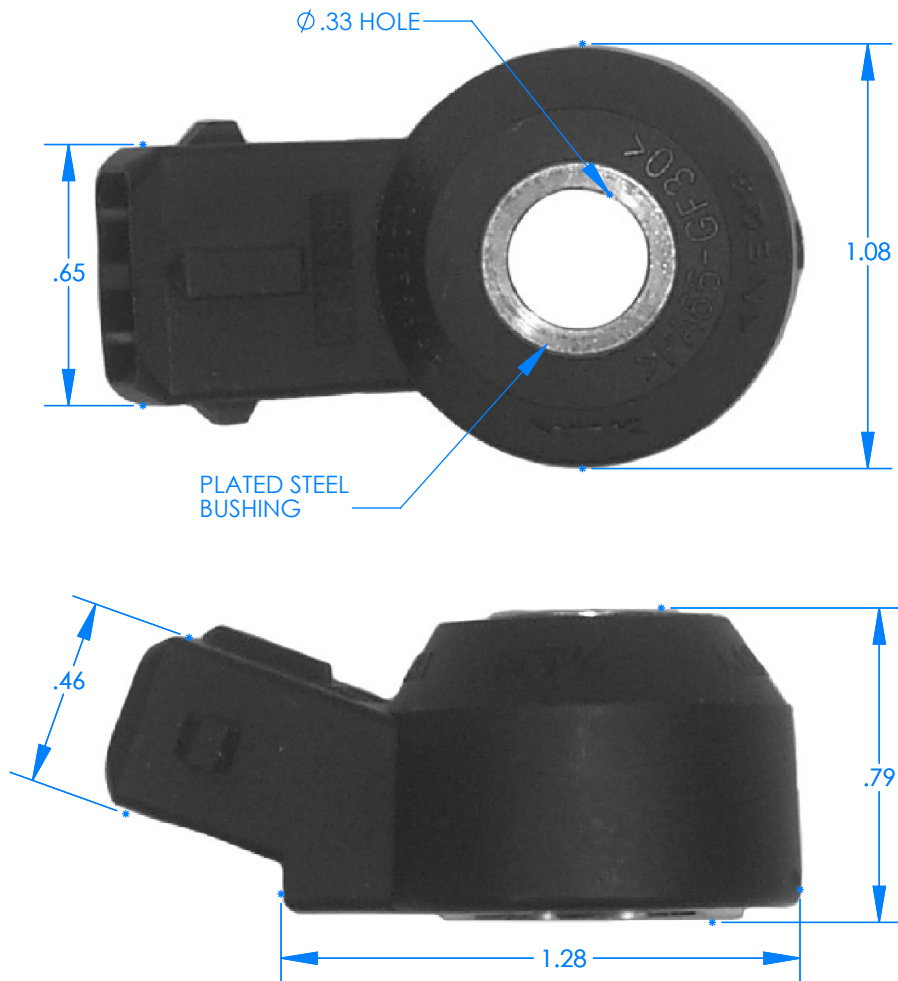


PART NO. SU3333	TOLERANCES UNLESS SPECIFIED		
	TWO PLACE DECIMALS +/- .015	THREE PLACE DECIMALS +/- .005	ANGLES +/- 1°



NOTES:
 1. ISOLATED GROUND.
 NO CONTINUITY BETWEEN
 NEGATIVE TERMINAL AND
 BUSHING.
 2. INFINITE RESISTANCE BETWEEN
 POSITIVE AND NEGATIVE
 TERMINALS.

REPLACES O.E.M. # 56028563AA, 5033316AA, 5033316AB, KNE23, KNE23C

					MATERIAL	N/A	SCALE	NTS	WELLS VEHICLE ELECTRONICS					
					FINISH	N/A	DATE	10-28-14		DWN. BY	JRT			
							ENGINEER	10-28-14	TWF	TITLE	KNOCK SENSOR			
							APPROVED	10-28-14	TDS					
B	REDRAWN SEE ECN FOR DETAILS	38826	10-28-14	JRT			PURCH.	<input type="checkbox"/>	PROD.	<input type="checkbox"/>	SHEET SIZE	A	PART NO.	SU3333
L	REVISION	CN	DATE	BY	CAD REF.	N/A	MODEL							

View other performance ignition systems made by WVE on our website.