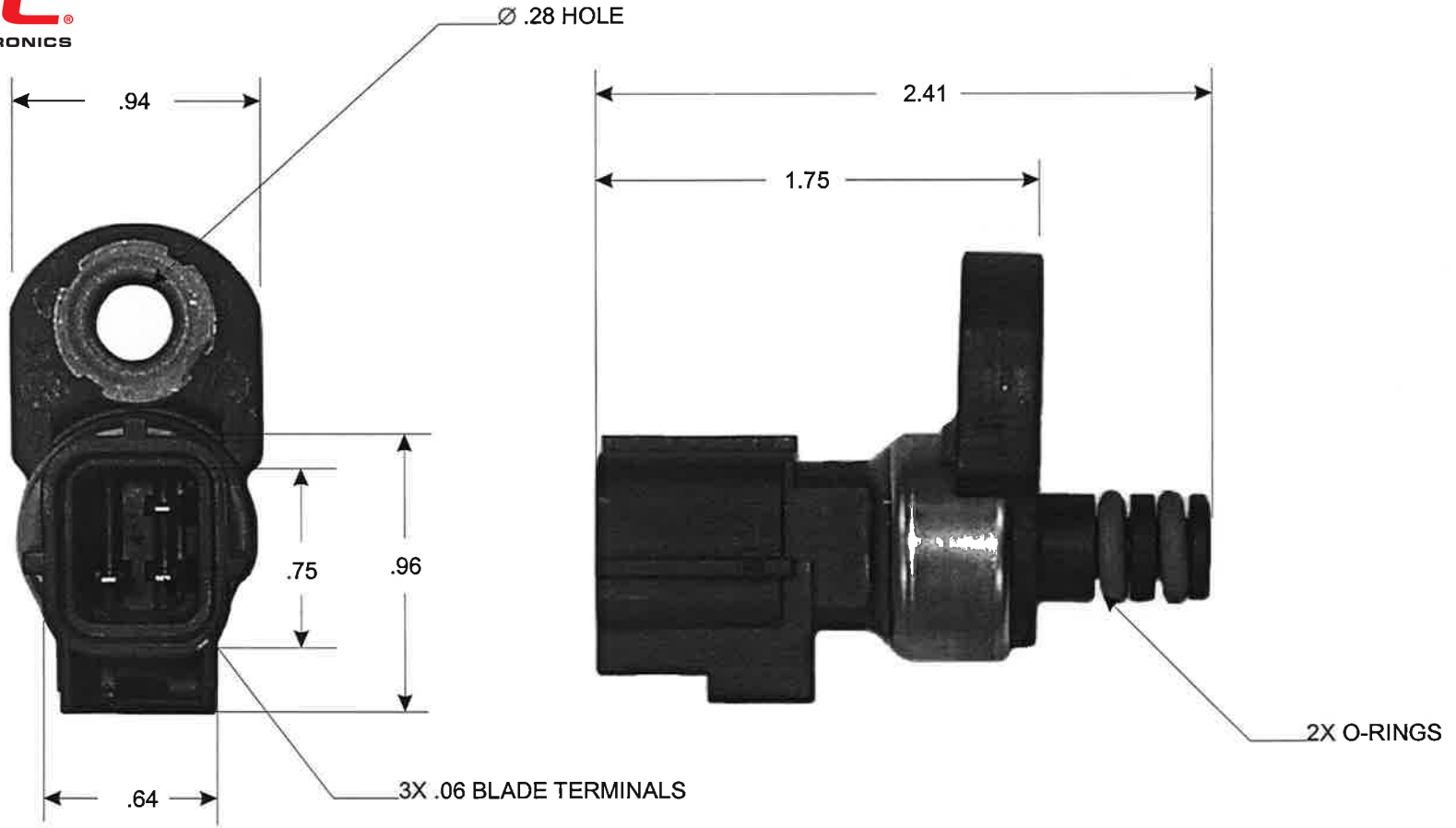


PART NO. SU3194

| TOLERANCES UNLESS SPECIFIED | | |
|-----------------------------|-------------------------------|---------------|
| TWO PLACE DECIMALS +/- .015 | THREE PLACE DECIMALS +/- .005 | ANGLES +/- 1° |



REPLACES O.E.M. # 1-04799758

| | | | | | | | | | | | | | |
|---|------------------|--------|---------|----------|----------|----------|--------|--------|--------------------------|-------|--------------------------|----------|------------|
| | | | | MATERIAL | N/A | SCALE | NTS | | | | | | |
| | | | | | | DATE | 4-9-02 | | DWN. BY | GC | | | |
| | | | | | | ENGINEER | 4-9-02 | | | DAL | | | |
| | | | | | | APPROVED | 4-9-02 | | | JSK | | | |
| A | WAS 841900288 | 25350 | 5-14-02 | GC | FINISH | N/A | | | | | | | |
| | RELEASED DRAWING | 24988A | 4-9-02 | GC | | | | | | | | | |
| L | REVISION | CN | DATE | BY | CAD REF. | N/A | MODEL | | | | | | |
| | | | | | | | | PURCH. | <input type="checkbox"/> | PROD. | <input type="checkbox"/> | PART NO. | (A) SU3194 |
| | | | | | | | | | | | | | |