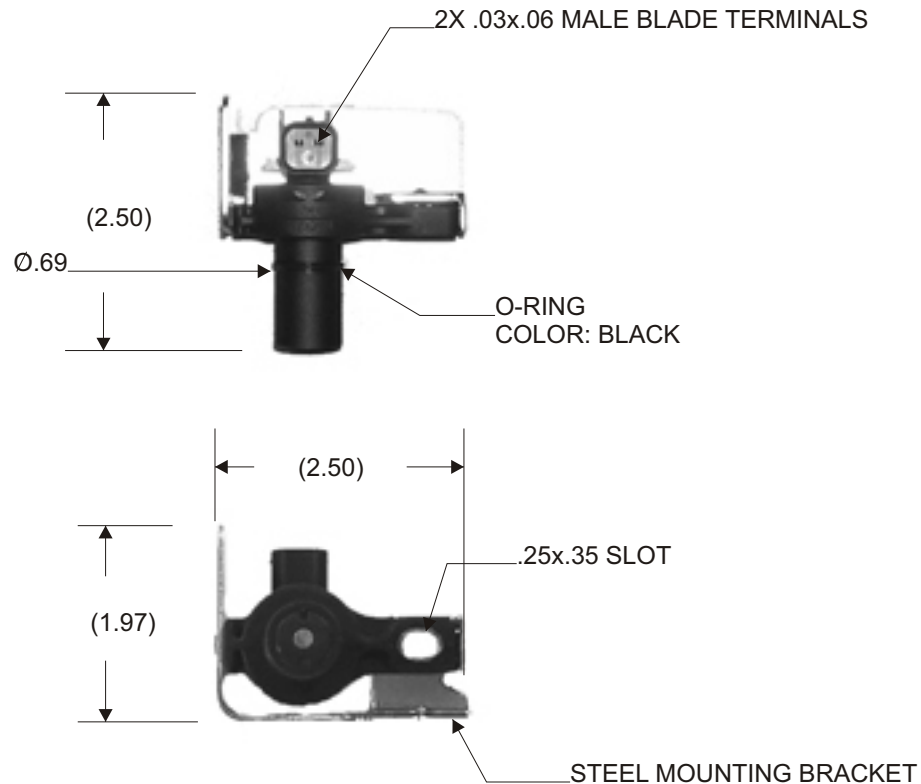


PART NO. SU8753

| TOLERANCES UNLESS SPECIFIED | | |
|-----------------------------|-------------------------------|---------------|
| TWO PLACE DECIMALS +/- .015 | THREE PLACE DECIMALS +/- .005 | ANGLES +/- 1° |



REPLACES O.E.# 3L3Z-7M101-AA

| | | | | | | | | | | |
|---|------------------|--------|----------|-----|----------|----------|--------------------------|-------|----------|---------------------------|
| | | | | | MATERIAL | SCALE | NTS | | | |
| | | | | | N/A | DATE | 04-10-07 | | DWN. BY | KFJ |
| | | | | | FINISH | ENGINEER | 04-10-07 | | | DAL |
| | | | | | N/A | APPROVED | 04-10-07 | | | JSK |
| | RELEASED DRAWING | 30444A | 04-10-07 | KFJ | N/A | PURCH. | <input type="checkbox"/> | | PROD. | <input type="checkbox"/> |
| L | REVISION | CN | DATE | BY | CAD REF. | MODEL | N/A | TITLE | | TRANSMISSION SPEED SENSOR |
| | | | | | | | | | PART NO. | SU8753 |