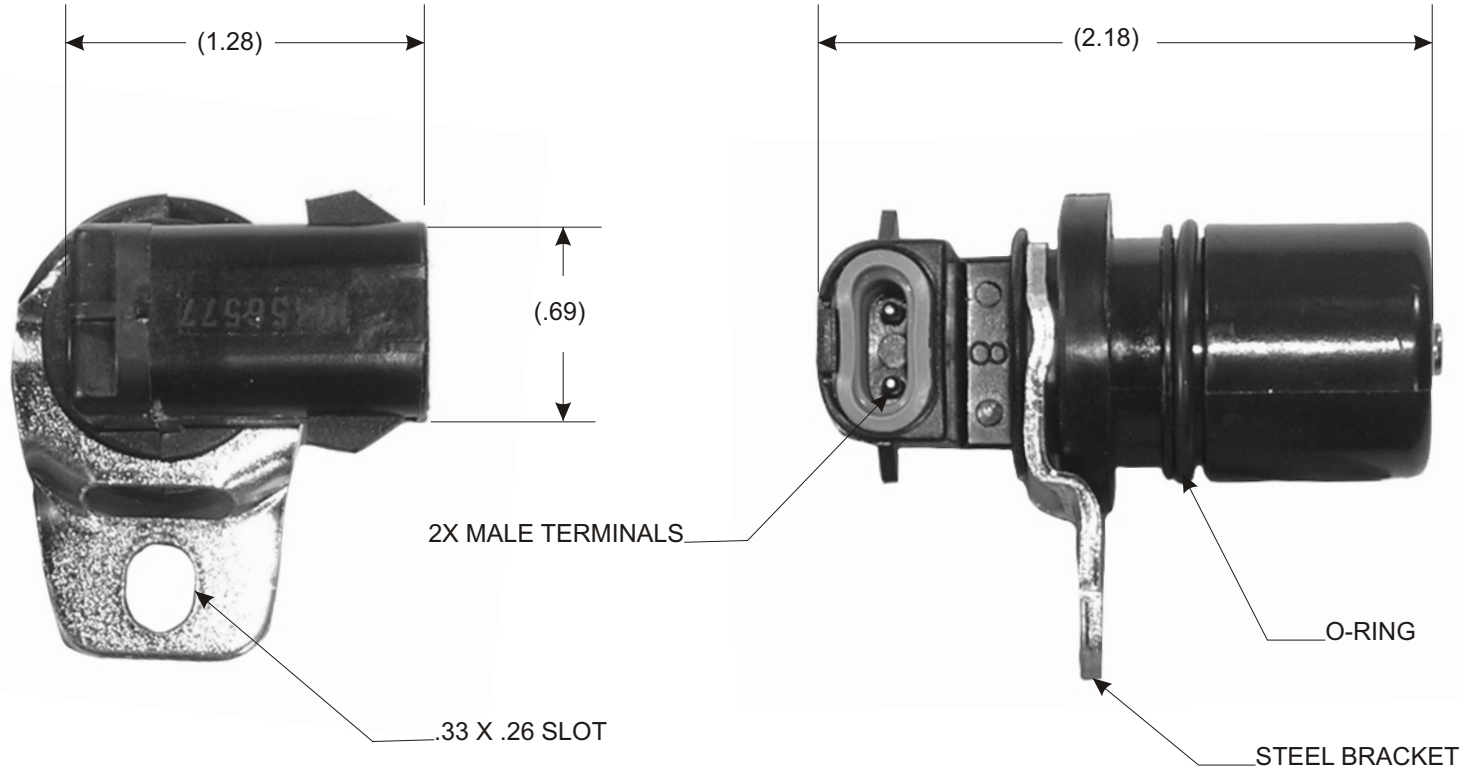


PART NO. SU8840

TOLERANCES UNLESS SPECIFIED		
TWO PLACE DECIMALS +/- .015	THREE PLACE DECIMALS +/- .005	ANGLES +/- 1°



REPLACES # XR3Z-7H103-AB

					MATERIAL	N/A	SCALE	NTS			
					FINISH	N/A	DATE	5-30-07		DWN. BY	GC
							ENGINEER	5-30-07	DAL	TITLE	TRANSMISSION SPEED SENSOR
							APPROVED	5-30-07	JSK	PART NO.	SU8840
RELEASED DRAWING		30452A	5-30-07	GC			PURCH.	<input type="checkbox"/>	PROD.	<input type="checkbox"/>	
L	REVISION	CN	DATE	BY	CAD REF.	N/A	MODEL				