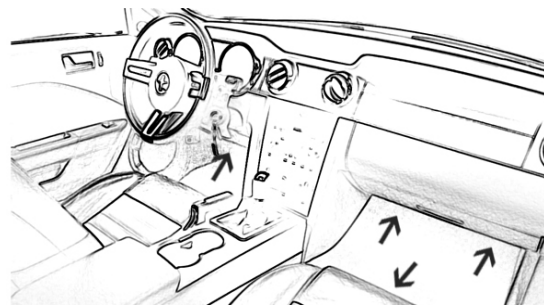
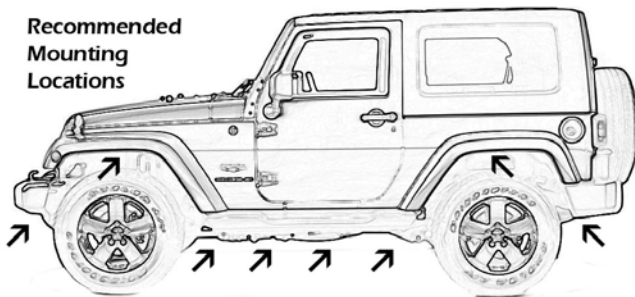
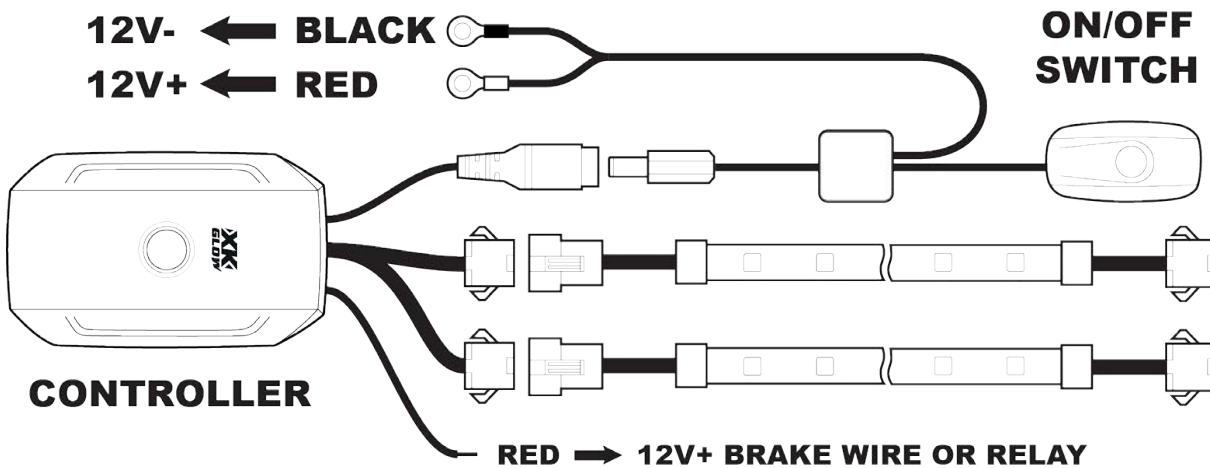


Recommended Mounting Locations

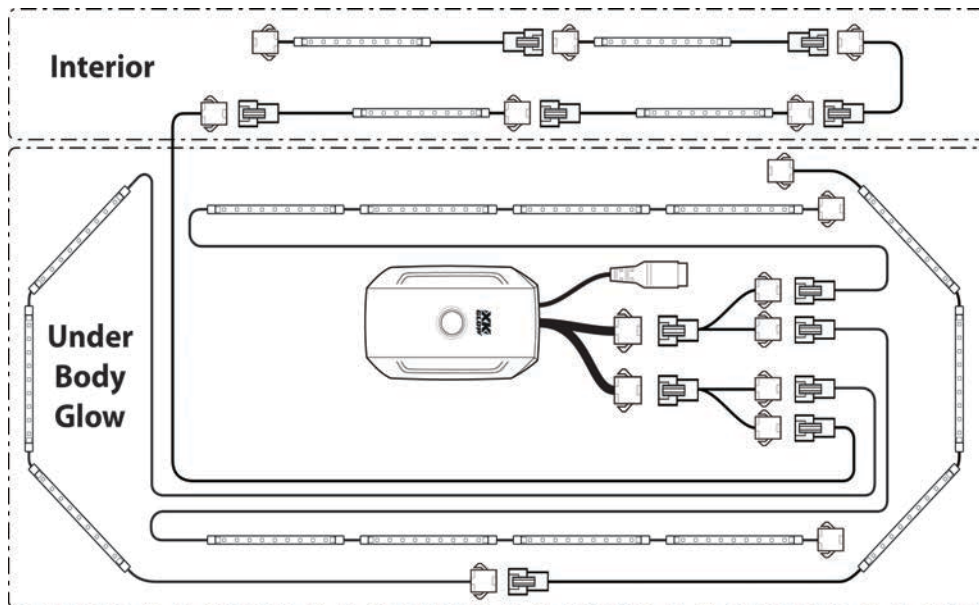


Mounting Instructions

- 1. Test all components before mounting:** As shown below, plug ALL light units together and connect them to the controller and the switch wiring harness. Connect the RED battery terminal to the POSITIVE pole of 12V DC battery. Connect the BLACK battery terminal to the NEGATIVE pole. Turn on the switch and push the touch button to test all lights. If the lights show any defects, please contact us and we will be happy to replace them for you.

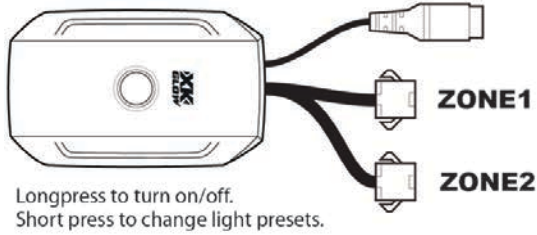


- 2. Plan mounting locations:** Disconnect the tested lights from the vehicle's battery and remove any bodywork that will have the LED lights located behind them. The 4 48" segments (4 x 12" tubes) are recommended for underglow, the 4 12" tubes are recommended for interior, and the 4 36" flexible tubes are recommended for the wheel wells/dust covers for wheel lighting. Clean the mounting surface. LOOSELY mount the LED lights using Scotch or painters tape (not included) to the desired locations. (DO NOT firmly attach the lights in this step.) Plan for each output zone (wheels/underglow, underglow/interior, etc.).



3. Mount the lights and wires:

Clean the mounting surface again. Peel off the 3M tape on the back of the light, and attach the lights to the planned locations. Firmly push the lights to make sure they are securely attached. Connect all Y-splitters, extension wires and the switch wiring harness. **WARNING-** Do not force the plugs together! If they don't snap together, verify that all the pins line up. If a pin is out of place, it must be straightened up for the plug to snap together.

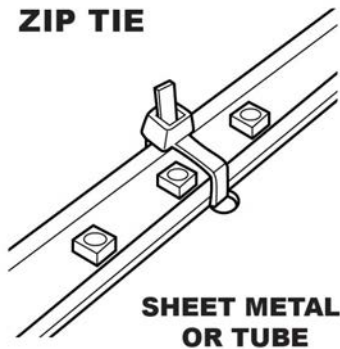


Each zone can be controlled independently through the app. Perfect for engine and underglow.

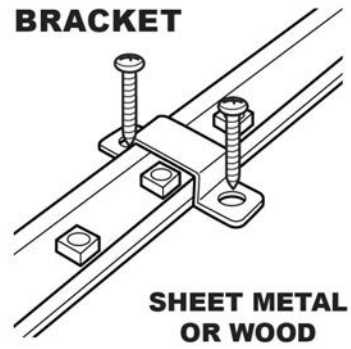
3M TAPE



ZIP TIE

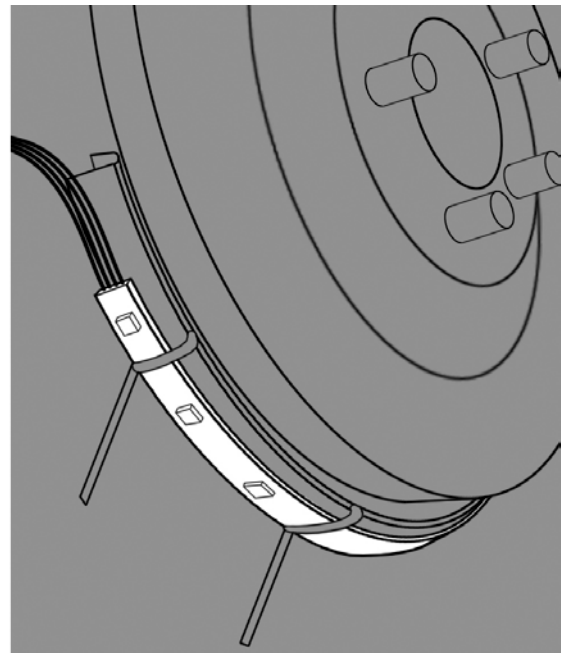
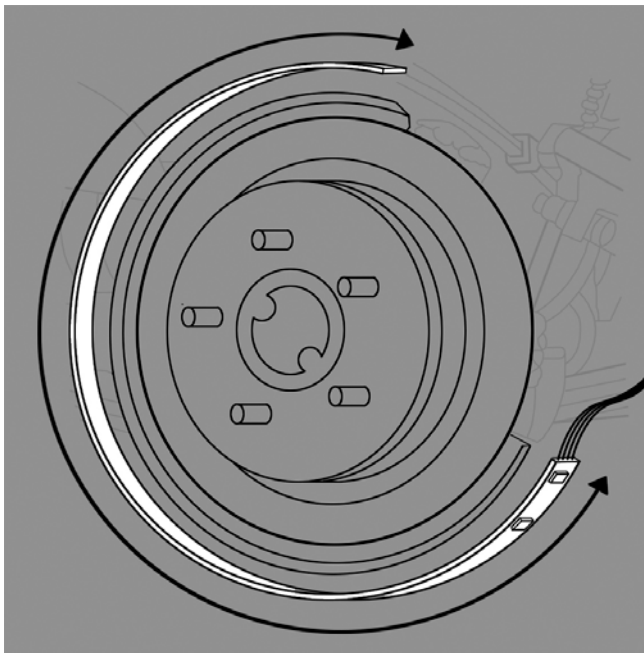


BRACKET

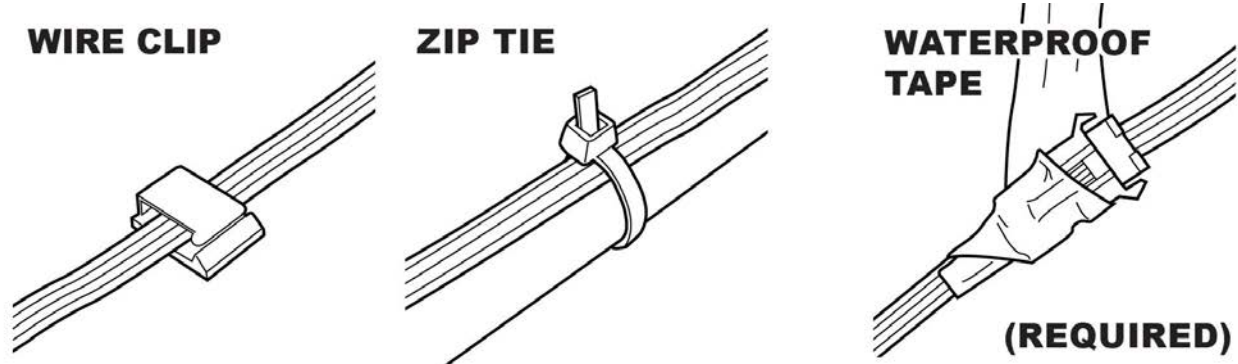


For wheel lights, wrap the flexible strips around the brake dust cover (where applicable) and mount using the provided 3M tape. **REQUIRED:** drill holes through the dust covers every six inches for zip ties. Pass zip ties through drill holes and wrap around the flex tubes to secure. See diagram below. Excess LEDs on the strips can be cut off every three LEDs where the 4 copper pads are. Cut tubes will need to be re-sealed with hot glue, silicon, or other water-proof sealant.

NOTE: If brake dust cover on vehicle does not allow for mounting of strips, strips can be mounted and secured on the fender liners for similar light effect.



- Secure all wires and connectors:** Use provided zip ties and wire clips to neatly mount and hide any loose wires. Make sure they are not touching anything hot or located on moving parts. Locate the ON/OFF switch in a dry and convenient location.



- Apply waterproof tape:** Pull the included waterproof tape and firmly wrap around all connectors. Once the tape shrinks, it will tightly wrap around the connectors to protect them against water and moisture.
- Connect to 12V DC power:** Firmly connect the wire terminals to the positive and negative poles of the battery. Power on, download the **XKchrome** App, and enjoy!



Please note: There are multiple XKGLOW apps on the App Store. Only the XKchrome App will work with the XKchrome Bluetooth Controller. The App icon is pictured here.