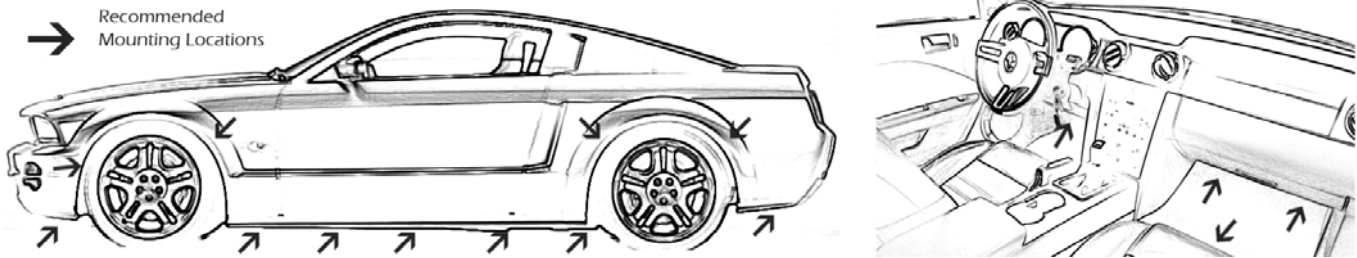
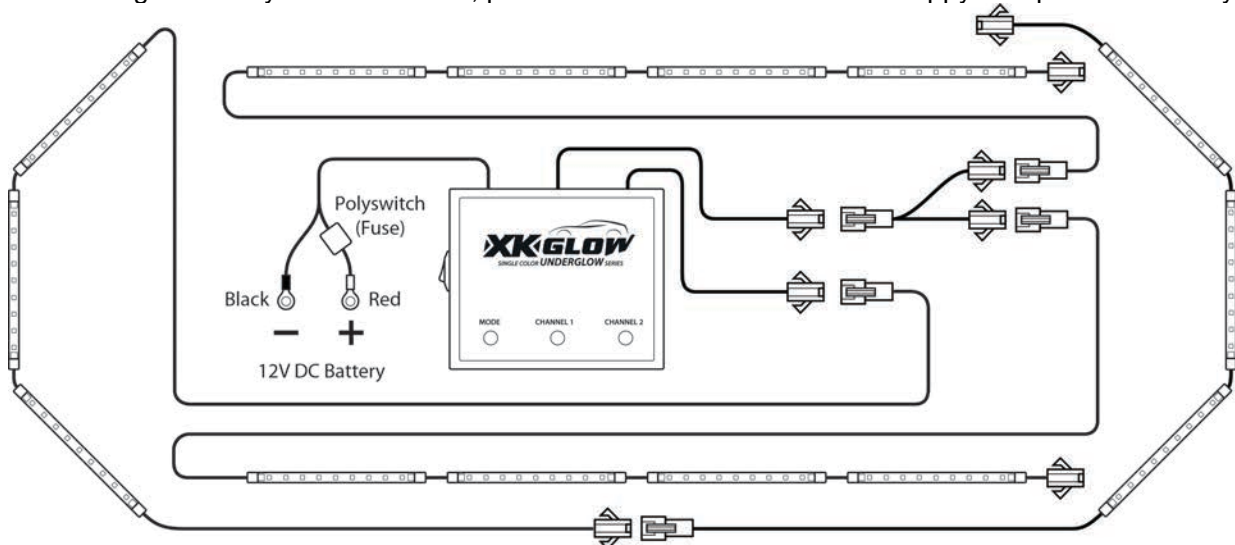


Recommended Mounting Locations



Mounting Instructions

- Test all components before mounting:** As shown below, plug all light units together and connect them to the controller. Connect the RED battery terminal to the POSITIVE pole of 12V DC battery. Connect the BLACK battery terminal to the NEGATIVE pole. Turn on the switch and push the Mode button to exam all the lights. If the light has any defective issue, please contact us and we will be happy to replace them for you.



- Plan mounting locations:** Disconnect the tested lights from the vehicle's battery and remove any bodywork that will have the LED lights located behind them. Clean the mounting surface. LOOSELY mount the LED lights using Scotch or painters tape (not included) to the desired locations. (DO NOT firmly attach the lights in this step.) Drill mounting screw holes based on the planned spots.
- Mount the lights:** Clean the mounting surface again. Use the included double side tape pads to attach the lights to the planned locations. Apply the included screws to firmly mount all tubes to the surface (required). Connect all Y-splitters, extension wires and the switch wiring harness.
- Secure all wires and connectors:** Use provided zip ties, and wire clips to neatly mount and hide any loose wires. Make sure the wires and light tubes are not touching anything hot or located on moving parts. Locate the ON/OFF switch in a dry and convenient location.
- Apply waterproof tape:** Pull the included waterproof tape and securely wrap around all connectors. Once the tape shrinks, it will tightly wrap around the connectors to protect them against water and moisture.
- Connect to 12V DC power:** Firmly connect the wire terminals to the positive and negative poles of the battery.

