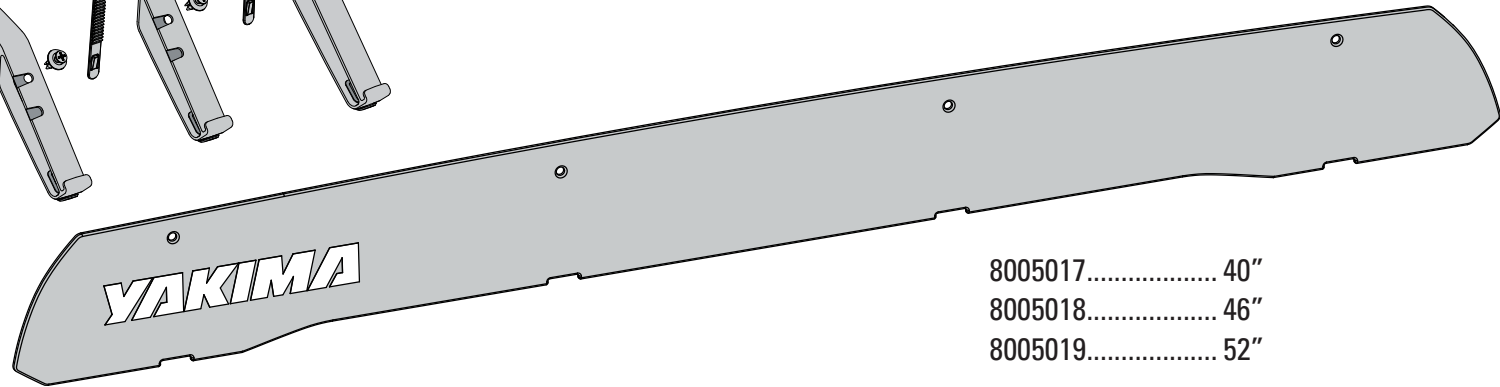
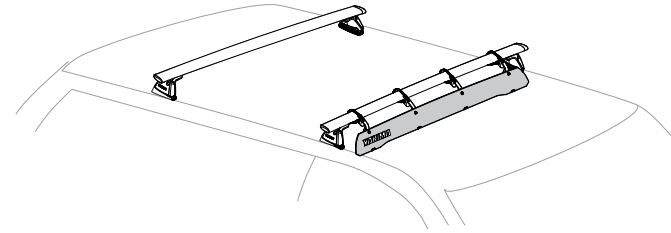
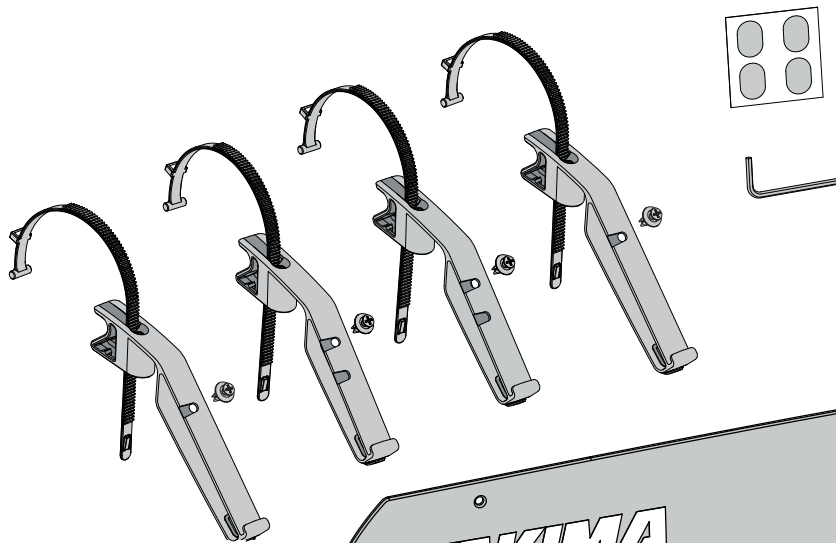
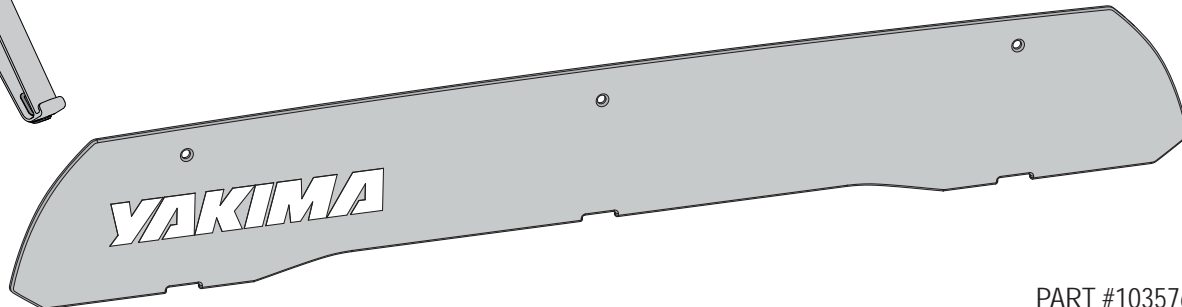
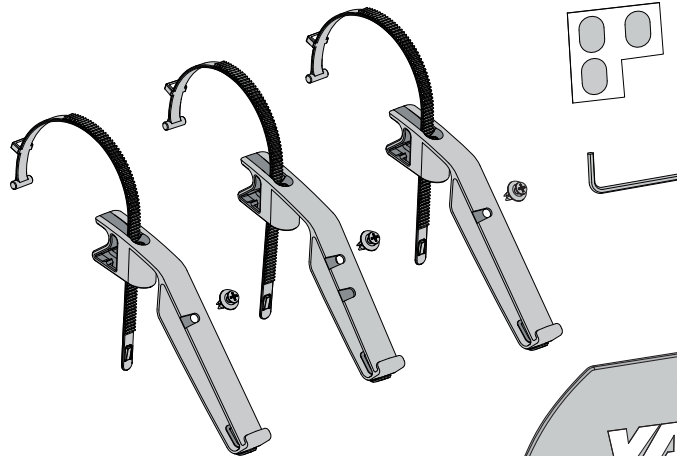


YAKIMA

WindShield



- 8005017..... 40"
- 8005018..... 46"
- 8005019..... 52"

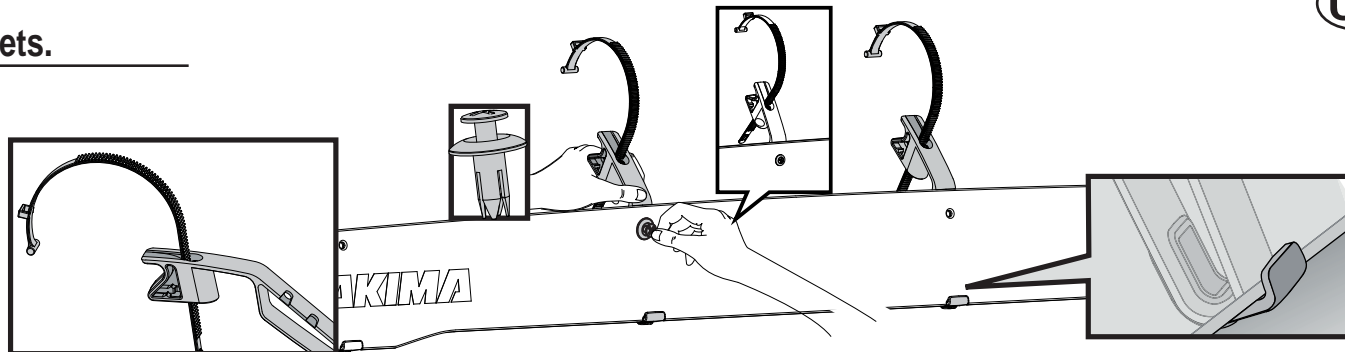


- 8005016..... 34"

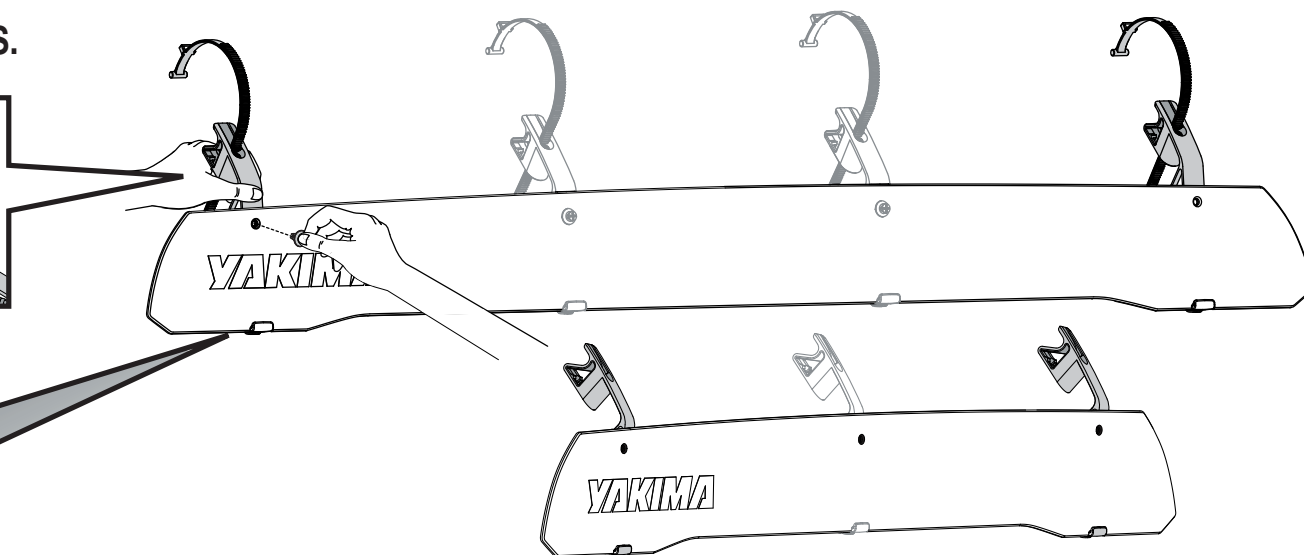
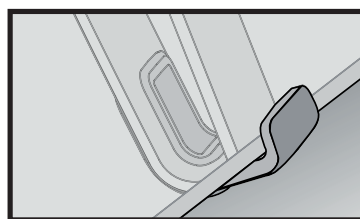
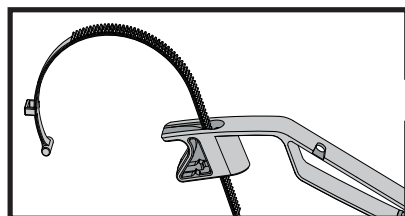
PART #1035761 Rev.A

1 Attach the CENTER brackets.

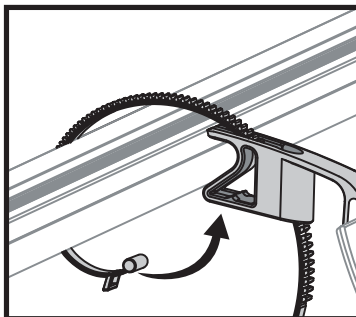
- Remove the plastic from the Fairing.
- Position the bottom edge of the fairing in the tabs on the bracket ends.
- The bracket holes should align with the holes in the fairing.
- Starting with the snap rivets in the open position, place them through the holes in the fairing and brackets and push the screw down.



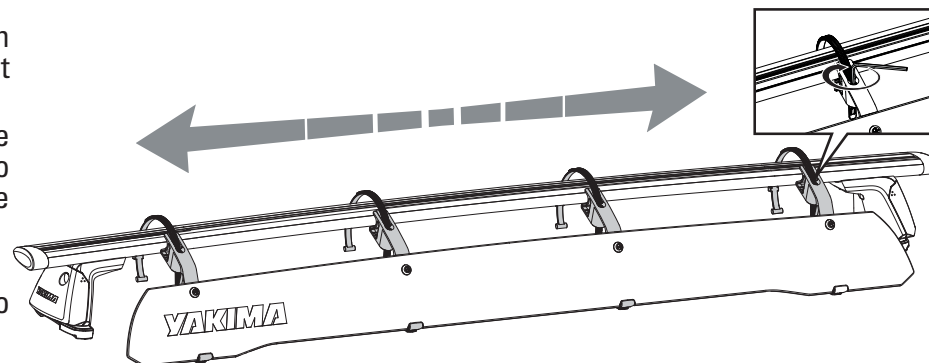
2 Attach OUTER BRACKETS.



3

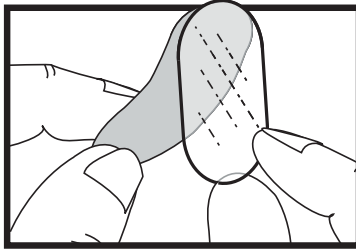


- Rest the fairing on the vehicle with the brackets touching the front crossbar.
- Wrap the straps around the crossbar and hook the barrel into the slot on the underside of the bracket.
- Center the fairing on the rack.
- Use the allen wrench provided to remove slack in the straps.

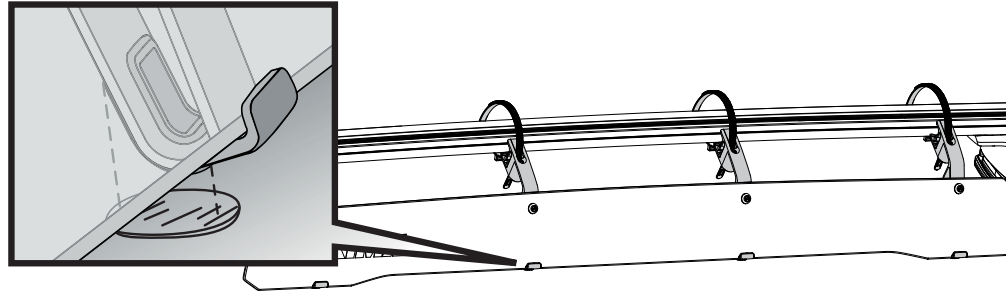


4

Peel away backing from clear pads.

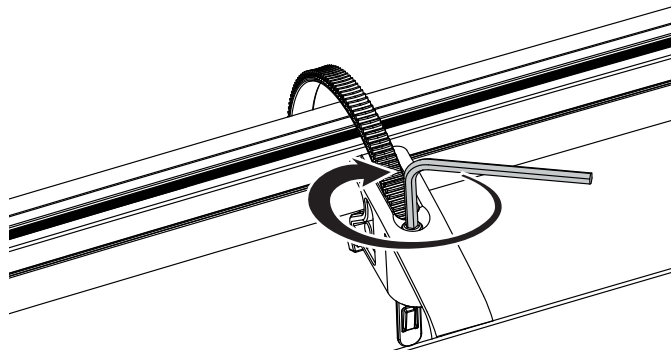


Apply to vehicle's surface where black pads (on bracket feet) make contact with vehicle.



5

Tighten brackets to crossbar with provided wrench until fairing is snug.



6

Fold excess strap under and through the belt loop. If necessary, cut excess.

