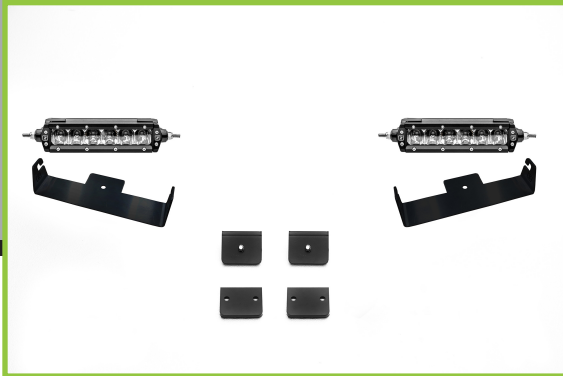




ZROADZ

DYNAMIC LED MOUNTING SOLUTIONS



UNIVERSAL EDGE CLAMP / LED MOUNT

Z310006-KIT

UNIVERSAL PANEL CLAMP LED LIGHT MOUNT

PARTS ARE PATENT PENDING. ALL RIGHTS RESERVED - COPYRIGHT ©2019 - ZROADZ LED, INC.

PARTS INCLUDED

Z310006-KIT

- (2) Universal Panel Clamp Sets
- (2) LED Light Bracket Mounts

LED LIGHTS INCLUDED

Z310006-KIT (2) 6" Single Row LED Light Bars

- * LED Lights include a separate hardware kit.

HARDWARE INCLUDED

Z390006-KIT

- ITEM #1 - (4) - 1/4" STAINLESS STEEL FLAT WASHER
- ITEM #2 - (4) - 1/4" NY LOCK SS HEX NUT
- ITEM #3 - (2) - 5/16" NYLOCK SS HEX NUT
- ITEM #4 - (2) - 5/16" STAINLESS STEEL FLAT WASHER

TOOLS REQUIRED

- Various Socket Set
- Various Wrenches
- Ratchet Tool
- Ratchet Extensions

INSTALLATION GUIDE

START HERE

PLEASE READ AND UNDERSTAND ALL INSTRUCTIONS BEFORE INSTALLATION. Auto makers offer varied models to each vehicle and occasionally manufacture more than one body style of the same model.

* APPLICATION MODELS VARY. WE RECOMMEND TO VERIFY FITMENT BEFORE BEGINNING INSTALLATION PROCESS.
* IMAGES FEATURED IN THE INSTRUCTION DOCUMENTS MAY NOT ALWAYS EXACTLY MATCH YOUR MODEL OR PART.

BEFORE YOU BEGIN

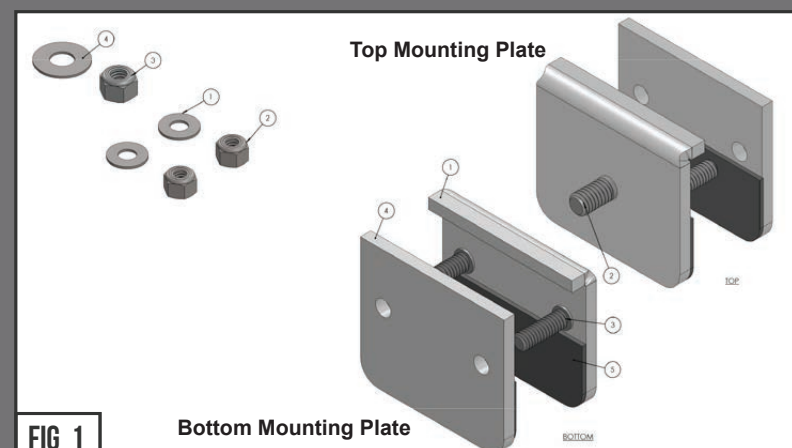
EDGE MOUNT INSTALLATION

START HERE: Turn off engine, chalk tires with stop block, open the hood and disconnect the battery.

STEP 1

- 1) Start by laying out all pieces and hardware.

Identify the Top Mounting Plate and Bottom Mounting Plate.



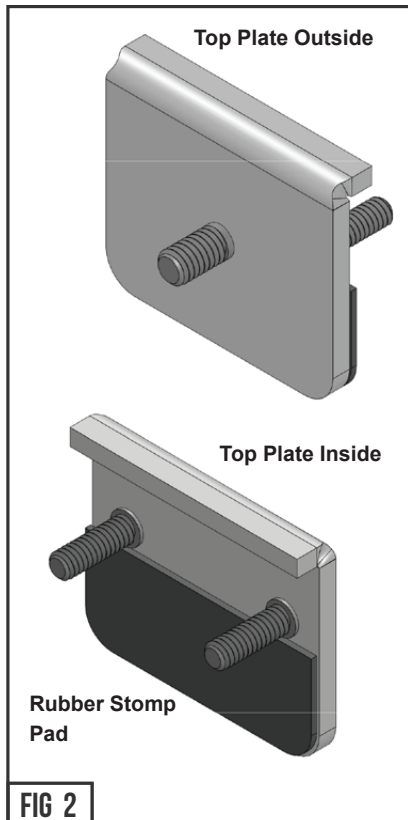


ZROADZ

DYNAMIC LED MOUNTING SOLUTIONS

UNIVERSAL EDGE MOUNT - CONTINUED

PARTS ARE PATENT PENDING. ALL RIGHTS RESERVED - COPYRIGHT ©2019 - ZROADZ LED, INC.



STEP 2

SEE FIGURES 2 - 3

2) Identify where you will mount the Universal Edge Clamp.

Put into place the Top Mounting Plate and Bottom Mounting Plate. To protect the finish and vehicle paint, make sure the Rubber Stomp Pads are in direct contact with the mounting surface and is the primary surface.

Assemble and mount the two Clamping plates with the provided hardware to the two threaded mounting posts on the inside or bottom side of the Top Mounting Mounting Plate.

ITEM #1 - (4) - 1/4" STAINLESS STEEL FLAT WASHER

ITEM #2 - (4) - 1/4" NY LOCK SS HEX NUT

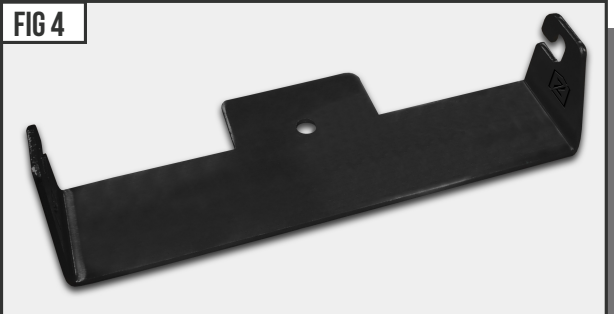
STEP 3

SEE FIGURE 4 - 5

3) At this point, you will put into place the LED Light Bracket and fix it to the ZROADZ Universal Panel Clamp with the provided hardware (5/16" FLAT WASHERS & 5/16" NYLOCK SS HEX NUTS).

Click the LED Light Bracket so that it is pointed in the desired direction.

FIG 4



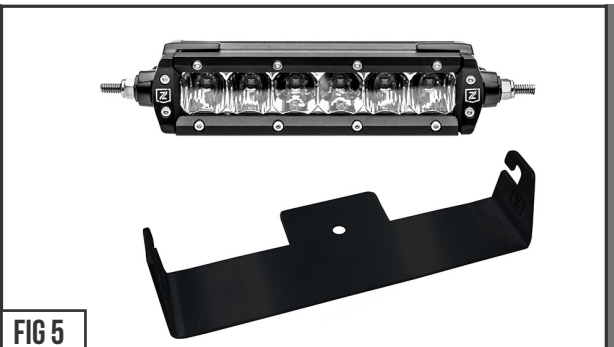
STEP 4

4) Put into place the LED Light and fix it to the LED Light Bracket. Click the LED Light so that it is pointed in the desired direction.

STEP 5

5) Tighten all hardware. Repeat all steps for the second set of ZROADZ Panel Clamps.

FIG 5



UNIVERSAL EDGE MOUNT INSTALLATION - COMPLETE